

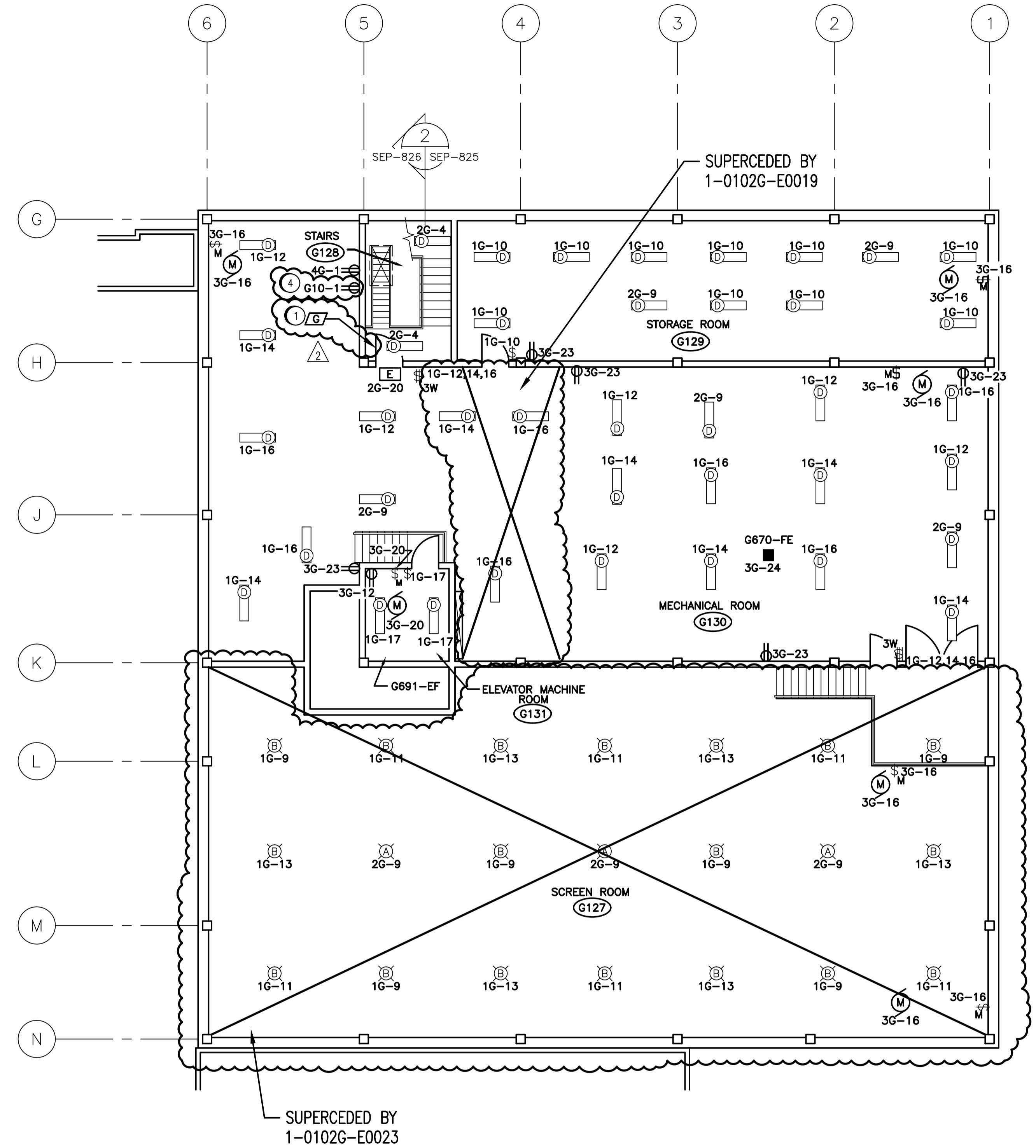
PLAN AT ELEVATION 235.9

- CONSTRUCTION NOTES
- 1 INSTALL "NOT AN EXIT" SIGN ON DOOR TO MECHANICAL ROOM.
 - 2 INSTALL "NOT AN EXIT" SIGN ON WET WELL DOOR.
 - 3 INSTALL "RUNNING PERSON" EXIT SIGN ON WALL.
 - 4 INSTALL UPS RECEPTACLE AT LOCATION SHOWN.

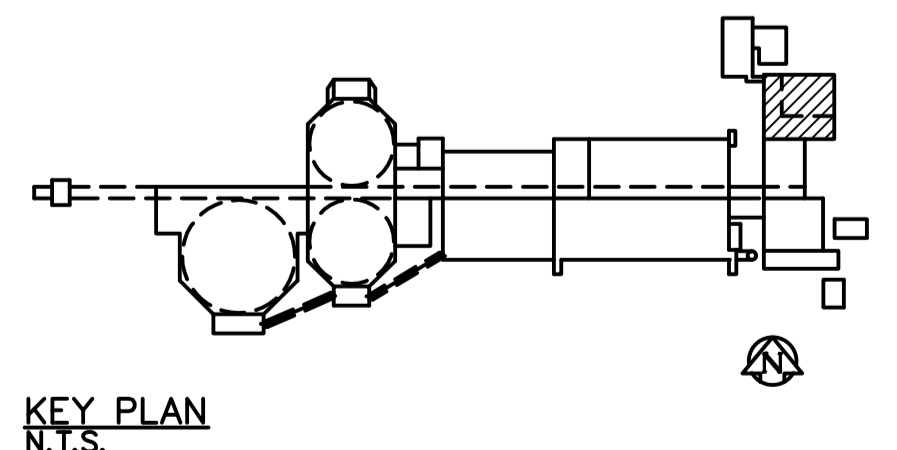
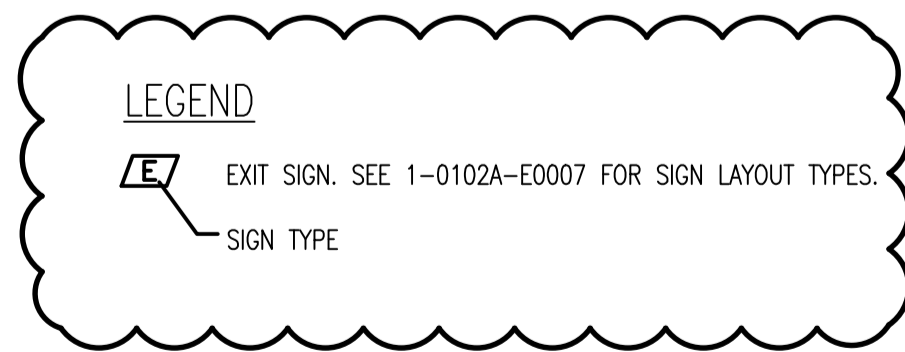
SNC-LAVALLIN INC. 148 Notre Dame St. W. Winnipeg, Manitoba Canada R3P 0G7	
DESIGNED BY T. CHURCH	APPROVED BY C. REIMER
CHECKED BY C. REIMER	DATE 2011/03/11
PROJECT NO. 112577	SUBJECT 0106 47 DD 2202 2

REFER TO DRAWING SEP-824 FOR FIXTURE SCHEDULE

B.M. ELEV.			
M A CLAREN ENGINEERS INC. WARDROP ENGINEERING INC. ENGINEERING CONSULTANTS			
DESIGNED BY D.W.D.	CHECKED BY	ENGINEER'S SEAL	
DRAWN BY H.P.C.C.	APPROVED BY	ORIGINAL DRAWING SEALED BY: T. M. CHURCH SNC-LAVALLIN 2011/03/25 REV. 02 CHANGES ONLY	
HOR. SCALE: VERTICAL: 1 : 100	RELEASED FOR CONSTRUCTION:	CONSULTANT DRAWING NO. 10009-G-E105	
NO. REVISIONS	DATE	BY	DATE NOV. 1991



PLAN AT ELEVATION 238.3



THE CITY OF WINNIPEG WORKS AND OPERATIONS DIVISION WATERWORKS, WASTE & DISPOSAL DEPARTMENT		CITY DRAWING NUMBER
		SOUTH END WATER POLLUTION CONTROL CENTRE
PUMP & SCREEN BUILDING - ELECTRICAL		SHEET OF
LIGHTING & BUILDING SERVICES		SEP-826
FLOOR PLAN		