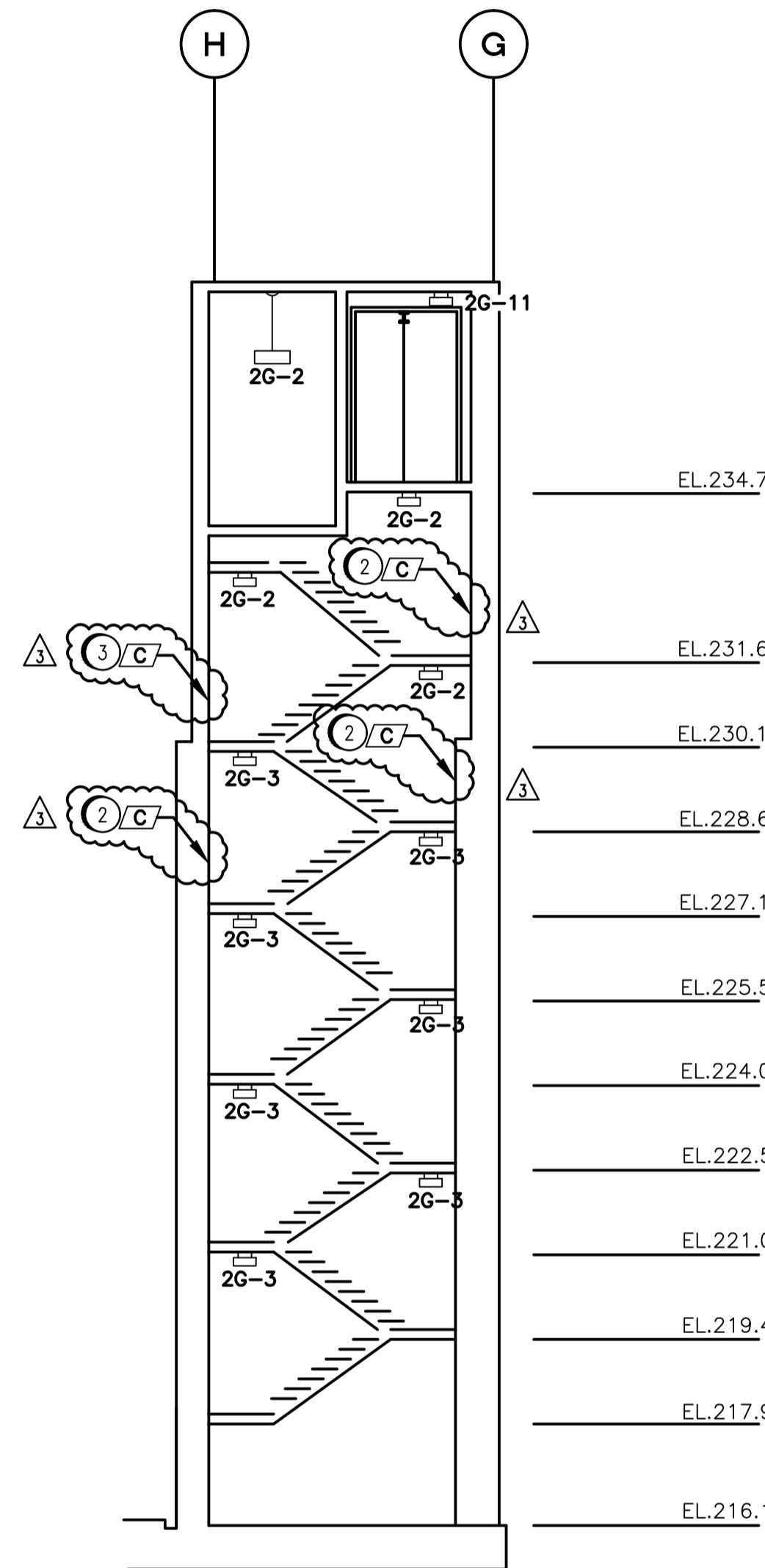
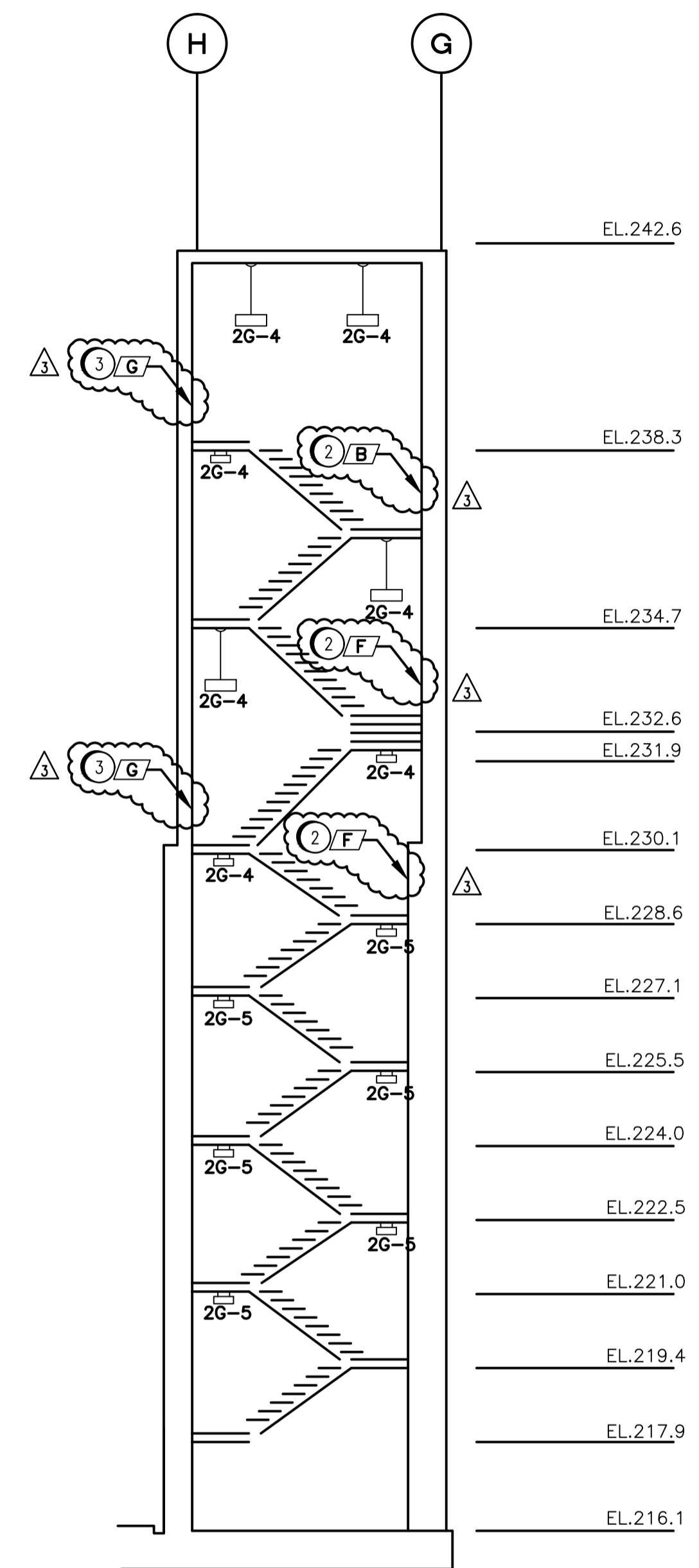


PLAN AT ELEVATION 230



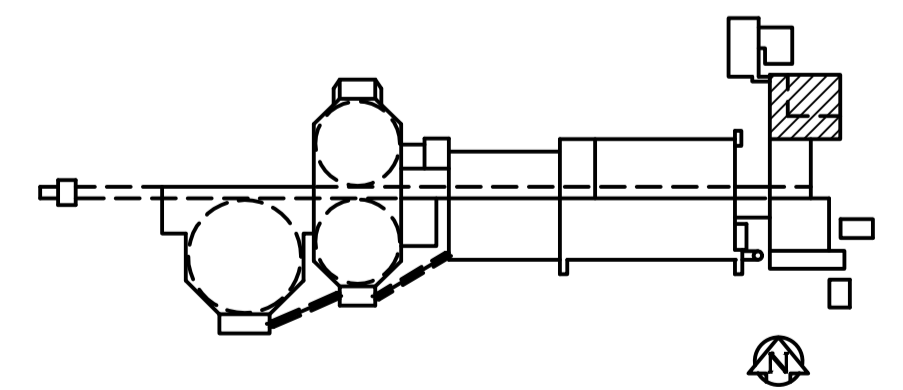
1 SECTION - STAIRCASE



2 SECTION - STAIRCASE

LEGEND

- EXIT SIGN. SEE 1-0102A-E0007 FOR SIGN LAYOUT TYPES.
- SIGN TYPE
- DOOR HOLD OPEN DEVICE



KEY PLAN  
N.T.S.

- CONSTRUCTION NOTES
- 1 REWIRE EXISTING FIXTURES AS SHOWN.
  - 2 INSTALL 'RUNNING PERSON' EXIT SIGN ON WALL.
  - 3 INSTALL "NOT AN EXIT" SIGN ON STAIRWELL SIDE OF DOOR.

		SNC-LAVALIN INC. 148 Notre Dame St. W. Winnipeg, Manitoba Canada R3P 0J7	
DESIGNED BY T. CHURCH	APPROVED BY C. REIMER	DATE 2011/03/11	REV. 3
PROJECT NO. 112577	SUBJECT 0106	SERIAL 47 DD	REV. 2201

REFER TO DRAWING SEP-824 FOR FIXTURE SCHEDULE.

B.M. ELEV.		M A CLAREN ENGINEERS INC. WARDROP ENGINEERING INC.		ENGINEER'S SEAL	
		ENGINEERING CONSULTANTS		ORIGINAL DRAWING SEALED BY: T. M. CHURCH SNC-LAVALIN 2011/03/25 REV. 03 CHANGES ONLY	
3 ADDED ESSENTIAL LIGHTING AND EXIT SIGNS	2011/03/11	TMC	DESIGNED BY D.W.D.	CHECKED BY	
2 ISSUED FOR CLIENT REVIEW	11/09		DRAWN BY H.P.C.C.	APPROVED BY	
1 AS CONSTRUCTED	08/93	B.T.	HOR. SCALE: VERTICAL: 1 : 100	RELEASED FOR CONSTRUCTION:	
0 ISSUED FOR TENDER	91/12	B.T.			
— SUBMITTED FOR CITY REVIEW	91/05	B.T.			
NO. REVISIONS	DATE	BY	DATE	NOV. 1991	DATE

		THE CITY OF WINNIPEG WORKS AND OPERATIONS DIVISION WATERWORKS, WASTE & DISPOSAL DEPARTMENT	
SOUTH END WATER POLLUTION CONTROL CENTRE		CITY DRAWING NUMBER	
PUMP & SCREEN BUILDING - ELECTRICAL		SHEET OF	
LIGHTING & BUILDING SERVICES		SEP-825	
FLOOR PLAN		CONSULTANT DRAWING NO. 10009-G-E104	