

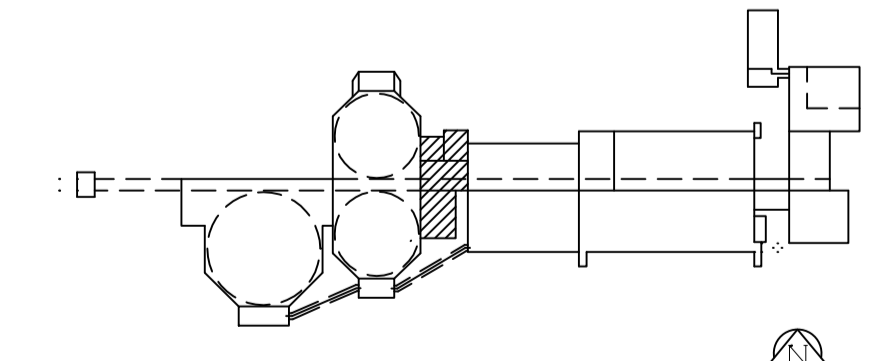
PLAN AT ELEVATION 226.5m

PLAN AT ELEVATION 233.5m

NOTE:
1. FOR LIGHTING AND POWER OF CONTROL ROOM S107, REFER TO DRAWING SEP-463.

LEGEND

- EXIT SIGN. SEE 1-0102A-E0007 FOR SIGN LAYOUT TYPES.
- SIGN TYPE
- DOOR HOLD OPEN DEVICE



CONSTRUCTION NOTES

1. INSTALL EXIT SIGNS AS SHOWN.
2. INSTALL 'RUNNING PERSON' EXIT SIGN ON WALL.

SNC-LAVALIN	
SNC-LAVALIN INC. 148 Notre Dame St. W. Winnipeg, Manitoba Canada R2P 2K7	
DESIGNED BY T. CHURCH	APPROVED BY C. REIMER
CHECKED BY C. REIMER	DATE 2011/03/11
PROJECT NO. 112577	SUBJECT 0106 47 DO 2603 2

REFER TO DRAWING SEP-454 FOR FIXTURE SCHEDULE.

B.M. ELEV.	MACLAREN ENGINEERS INC. WARDROP ENGINEERING INC.	ENGINEER'S SEAL
	ENGINEERING CONSULTANTS	ORIGINAL DRAWING SEALED BY: T. M. CHURCH SNC-LAVALIN 2011/03/25 REV. 02 CHANGES ONLY
	DESIGNED BY T.W.S.C.	CHECKED BY
	DRAWN BY V.R./C.N.	APPROVED BY
2 ADDED ESSENTIAL LIGHTING AND EXIT SIGNS	DATE 2011/03/11	DATE
1 AS CONSTRUCTED	DATE 06/93	DATE
0 ISSUED FOR TENDER	DATE 07/90	DATE
NO. REVISIONS	DATE	DATE
	HOR. SCALE: VERTICAL: 1:100	RELEASED FOR CONSTRUCTION: DATE
		CONSULTANT DRAWING NO. 43525-24-S-E111

THE CITY OF WINNIPEG
WORKS AND OPERATIONS DIVISION
WATERWORKS, WASTE & DISPOSAL DEPARTMENT

SOUTH END WATER POLLUTION CONTROL CENTRE
SECONDARY CLARIFIER EXPANSION - ELECTRICAL
REACTOR & SLUDGE THICKENING
LIGHTING & RECEPTACLES

CITY DRAWING NUMBER
SHEET OF
SEP-461