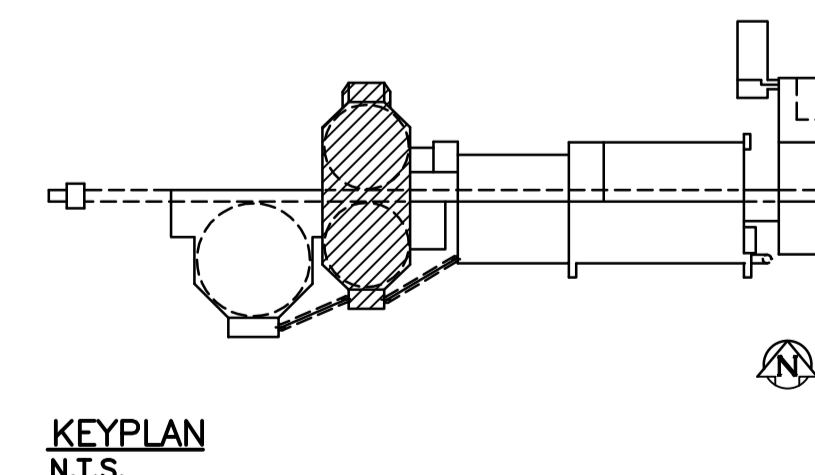
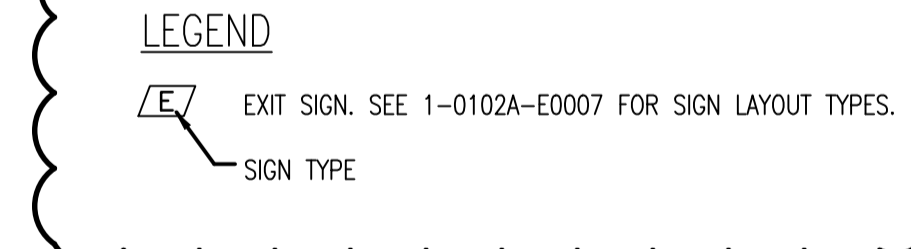


ELEVATION 233.477 m

TYPE	DESCRIPTION
A	HOLOPHANE "PRISMPACK", 150 WATT, 347V, HPS HI-BAY TYPE C/W 250 WATT TUNGSTEN HALOGEN LAMP FOR STANDBY LIGHTING
B	HOLOPHANE "PRISMPACK", 150 WATT, 347V, HPS HI-BAY TYPE
C	YORK "MG" SERIES, 2-40 WATT (1200mm) OR 2-75 WATT (2400mm) 347V, FLUORESCENT WRAP AROUND CEILING MOUNT TYPE
D	COOPER "METALUX" SERIES 2-32 WATT, 347V FLUORESCENT, CEILING MOUNTED
E-1	EMERGI-LITE "EX50" SERIES, 2-15 WATT, 347V EXIT LIGHT
<b>E</b>	LUMACELL "3000" SERIES, 5W, 347V EXIT LIGHT, WALL MOUNTED
<b>E</b>	LUMACELL "3000" SERIES, 5W, 347V EXIT LIGHT, CEILING MOUNTED
F	CROUSE-HINDS "WALLPAK", 100 WATT, 347V, HPS WALL MOUNTED TYPE C/W PHOTO CONTROL
G	CROUSE-HINDS "WALLPAK", 100 WATT, 347V, HPS WALL MOUNTED TYPE
K	HOLOPHANE "PRISMPACK", 250 WATT, 347V, HPS HI-BAY TYPE
L	HOLOPHANE "PRISMPACK", 250 WATT, 347V, HPS HI-BAY TYPE C/W 250 WATT TUNGSTEN HALOGEN LAMP FOR STANDBY LIGHTING
P	YORK "JH" SERIES, 2-40 WATT, 347V FLUORESCENT TROFFER TYPE
R	YORK "HL" SERIES, 2-40 WATT, 347V FLUORESCENT LOUVERED CEILING MOUNTED TYPE
S	HOLOPHANE "PREDATOR", 150 WATT, 347V, HPS ADJUSTABLE FLOOD TYPE
T	HOLOPHANE "PETROLUX II", 150 WATT, 347V, HPS PENDANT MOUNTING DECK TYPE
U	HOLOPHANE "PETROLUX II", 150 WATT, 347V, HPS PENDANT MOUNTING DECK TYPE C/W 250 WATT TUNGSTEN HALOGEN LAMP FOR STANDBY LIGHTING
W	HOLOPHANE "PETROLUX II", 150 WATT, 347V, HPS PENDANT MOUNTING DECK TYPE C/W 250 WATT TUNGSTEN HALOGEN LAMP FOR STANDBY LIGHTING

- CONSTRUCTION NOTES
- INSTALL EXIT SIGN AS SHOWN.
  - INSTALL EXIT SIGN ABOVE PASSAGE WAY FROM STAIRWELL S123 TO EXIT CORRIDOR
  - INSTALL "NOT AN EXIT" SIGN, ON THE DOOR TO THE MECHANICAL ROOM.
  - INSTALL "NOT AN EXIT" SIGN, ON THE STAIRWELL SIDE OF THE DOOR



	SNC-LAVALIN INC. 148 Route Park Way Winnipeg, Manitoba Canada R2P 0K7			
DESIGNED: <b>T. CHURCH</b>	APPROVED: <b>C. REIMER</b>			
CHECKED: <b>C. REIMER</b>	DATE: <b>2011/03/11</b>			
PROJECT No.: <b>112577</b>	DRAWING: <b>0106</b>	SUBJECT: <b>47 DD</b>	SCALE: <b>2600</b>	REV. NO.:

B.M. ELEV.	MACLAREN ENGINEERS INC. WARDROP ENGINEERING INC.		ENGINEER'S SEAL	
	DESIGNED BY: <b>T.W.S.C.</b>	CHECKED BY:	ORIGINAL DRAWING SEALED BY: <b>T. M. CHURCH</b> SNC-LAVALIN 2011/03/25 REV. 03 CHANGES ONLY	CITY DRAWING NUMBER
	DRAWN BY: <b>V.R.</b>	APPROVED BY:	CONSULTANT DRAWING NO. <b>43525-24-S-E104</b>	SHEET OF
	HOR. SCALE: VERTICAL: <b>1:125</b>	RELEASED FOR CONSTRUCTION:		<b>SEP-454</b>
NO. REVISIONS	DATE	BY	DATE	

**THE CITY OF WINNIPEG**  
WATER AND WASTE DEPARTMENT

SOUTH END WATER POLLUTION CONTROL CENTRE

**SECONDARY CLARIFIER EXPANSION - ELECT.**  
SECONDARY CLARIFIER 1 & 2  
MAIN FLOOR LAYOUT  
LIGHTING & RECEPTACLES