

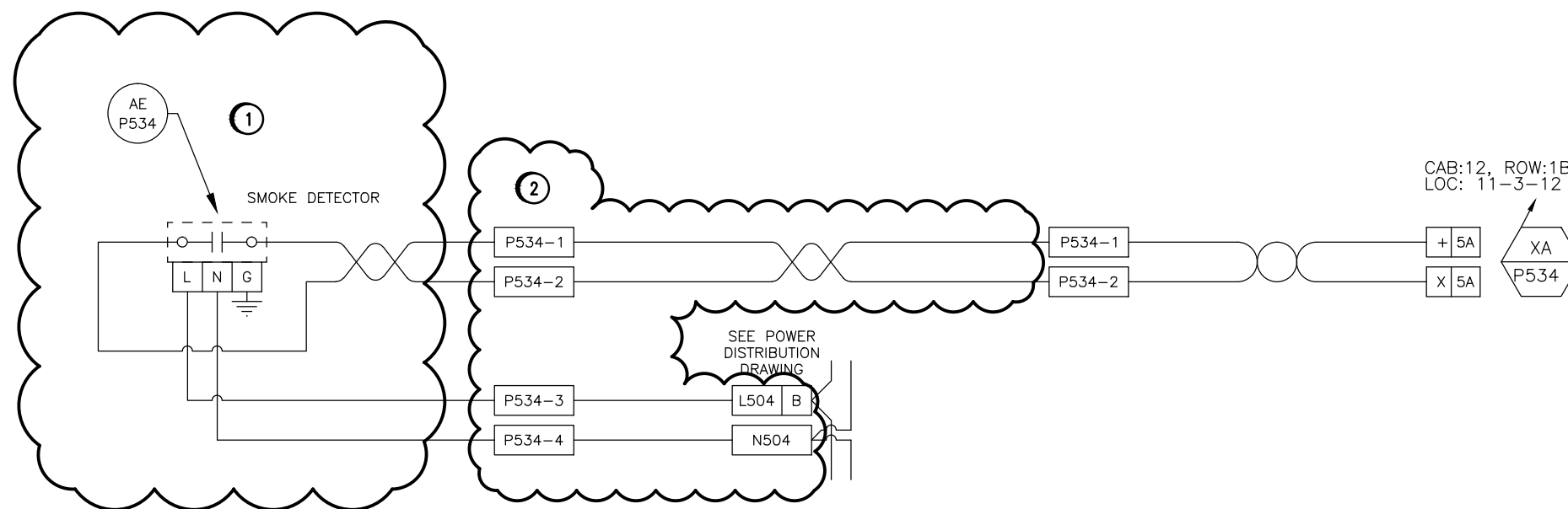
FIELD

FDP - FIELD DEVICE PANEL

FIELD

DCS

PCU "SB"



1
2
3
4
5
6
7
8
9
10
11
12
13
14
15
16
17
18
19
20
21
22
23
24
25
26
27
28
29
30

12 P534-AE SMOKE DETECTOR
13 P534-XA SMOKE DETECTOR SIGNAL TO DCS

SUPERCEDED

ORIGINAL DRAWING
SEALED BY:
C. J. REIMER
SNC-LAVALIN
2011/03/25
REV. 05

5

① REMOVE SMOKE DETECTORS AND ASSOCIATED FIELD WIRING.
② REMOVE WIRING AND RE-LABEL TERMINALS AS SPARE.

SNC-LAVALIN		SNC-LAVALIN INC. 148 Nature Park Way Winnipeg, Manitoba Canada R3P 0X7			
DESIGNED: E. BOHNCKE	APPROVED: C. REIMER				
CHECKED: C. REIMER	DATE: 2011/03/11				
PROJECT No. 112577	SUBDIV. 0101	SUBJECT 47 DD	SERIAL 0049	REV. 5	

APCG
Certificate of Authorization
SNC-Lavalin Inc.
No. 4489

5	REMOVED SMOKE DET.	2011/03/11	E.F.B.
4	DCS ADDRESSES ADDED	MAR/94	B.T.
3	AS BUILT	MAY 91	A.H.
2	RESUBMIT FOR APRV'L	JAN15	A.H.
1	RESUBMIT FOR APRV'L	OCT1	A.H.
0	FOR APPROVAL	AUG20	A.H.
NO	REVISIONS	DATE	BY

THE CITY OF WINNIPEG
WATERWORKS, WASTE & DISPOSAL DEPARTMENT
SOUTH END WATER POLLUTION CONTROL CENTRE

PRIMARY CLARIFIER EXPANSION, CONTRACT 2 - P.D. 89-205
CONTROL ROOM
SMOKE DETECTOR MONITORING & ALARM
LOOP DRAWING P534-XA

STATE CONTRACTORS AUTOMATION & INSTRUMENTATION DIV. BRAMALEA, ONTARIO.		
DRAWN BY A.H.	CITY DRAWING NO. SEP-1161	
CHECKED F.H.	SPEC. SECTION 16900	
DATE AUG 20/90	SHEET 1 OF 1	
DRAWING NO: 05-1004-101		