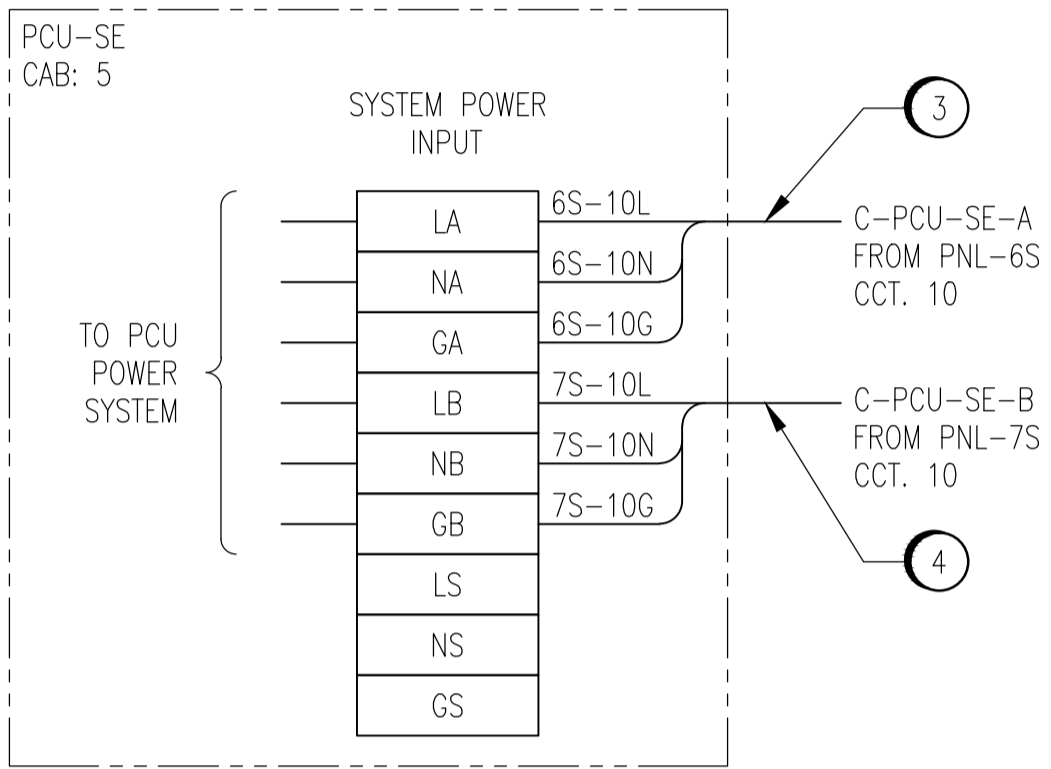
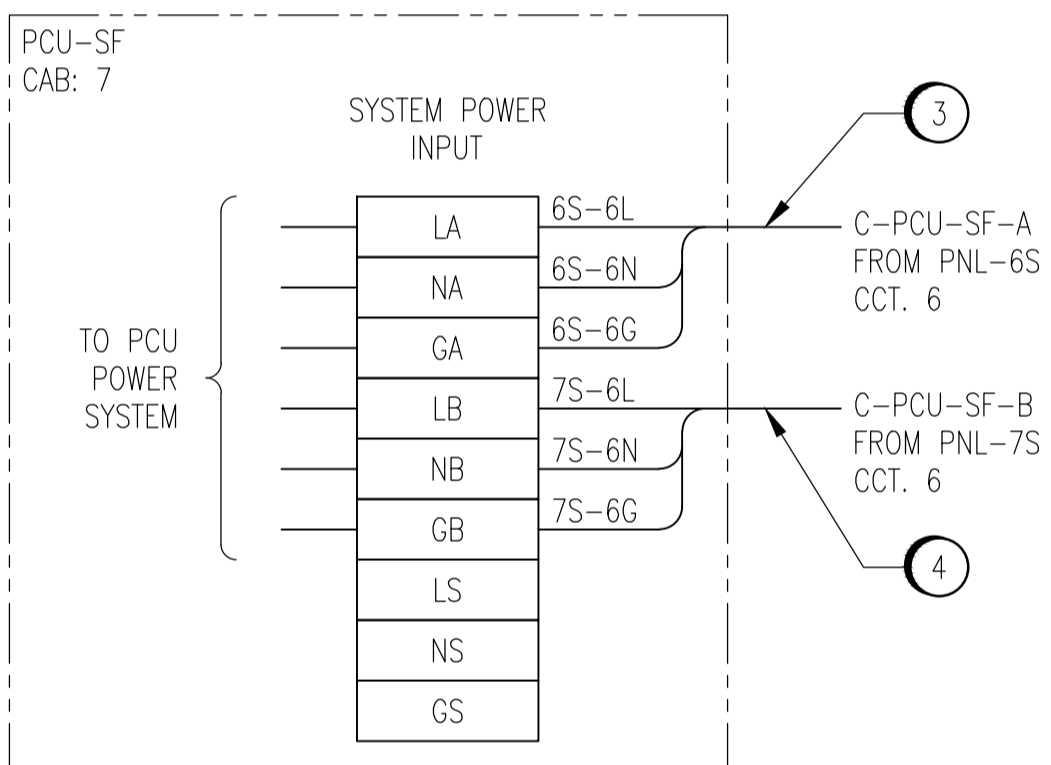


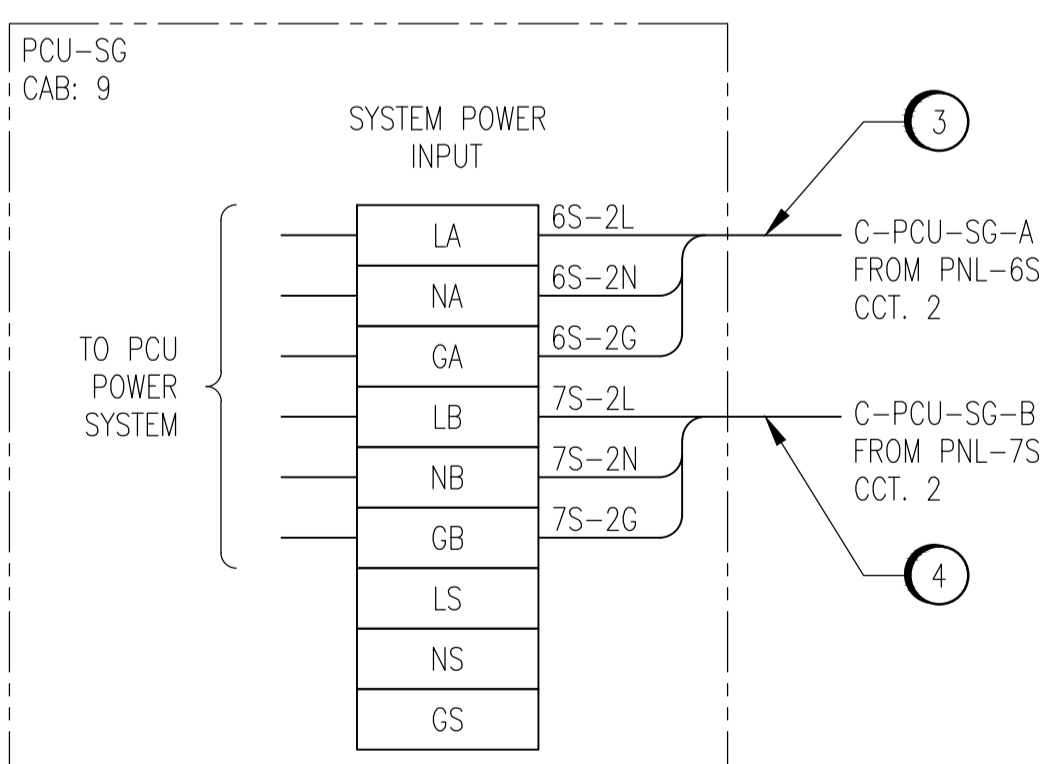
PCU-SD



PCU-SE

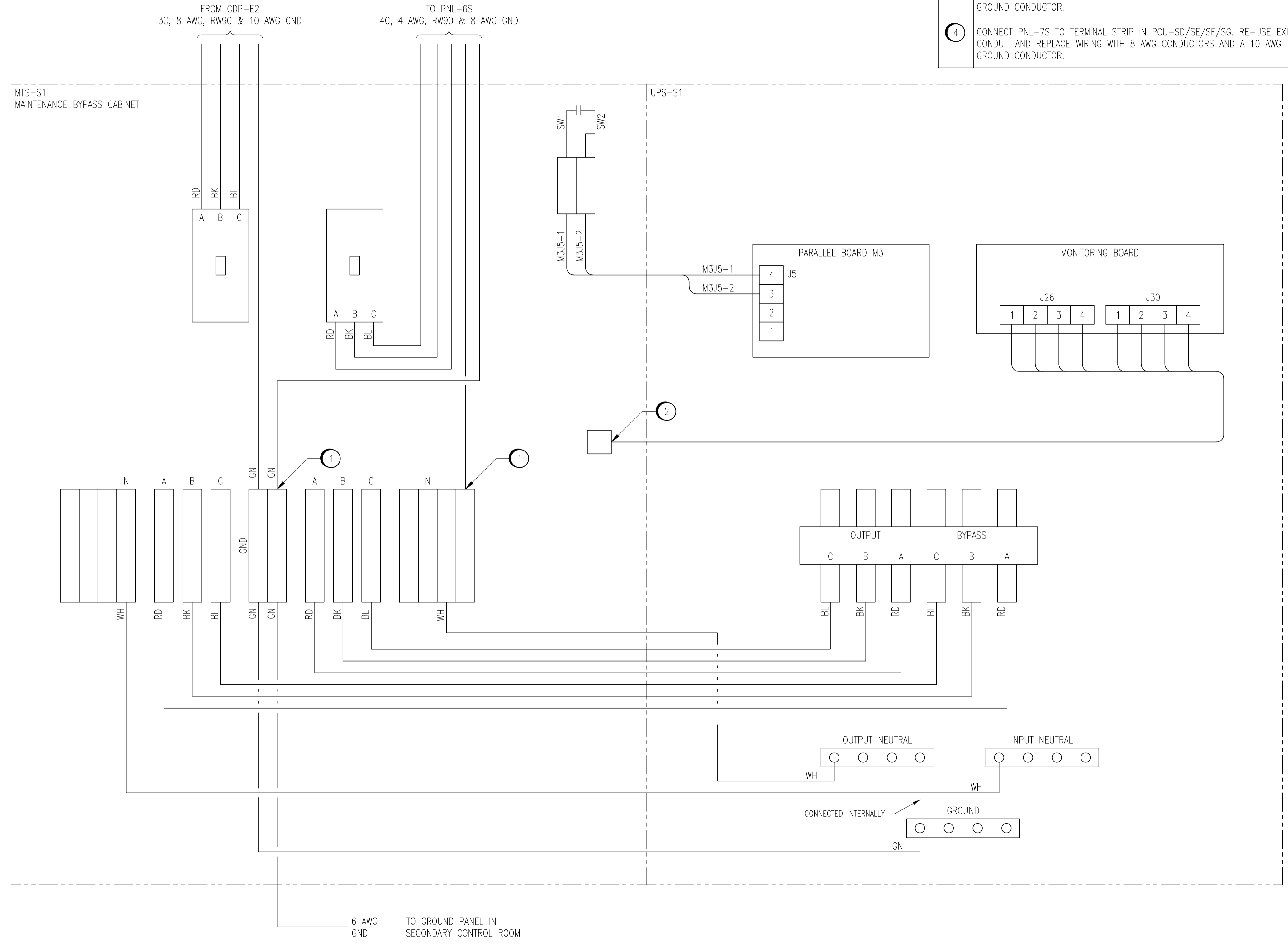


PCU-SF



PCU-SG

- CONSTRUCTION NOTES**
- 1 COMPRESSION LUGS REQUIRED.
 - 2 CABLE FOR J26 AND J30 ON UPS MONITORING BOARD COMES PRE-WIRED TO MAINTENANCE BYPASS CABINET.
 - 3 CONNECT PNL-6S TO TERMINAL STRIP IN PCU-SD/SE/SF/SG. RE-USE EXISTING CONDUIT AND REPLACE WIRING WITH 8 AWG CONDUCTORS AND A 10 AWG GROUND CONDUCTOR.
 - 4 CONNECT PNL-7S TO TERMINAL STRIP IN PCU-SD/SE/SF/SG. RE-USE EXISTING CONDUIT AND REPLACE WIRING WITH 8 AWG CONDUCTORS AND A 10 AWG GROUND CONDUCTOR.



MTS-S1 AND UPS-S1

1-0102S-E0022	PANEL SCHEDULES
1-0102S-E0019	SINGLE LINE DIAGRAM - SECONDARY CLARIFIERS
DRAWING NUMBER	REFERENCE DRAWINGS



00	ISSUED FOR TENDER, BID OPP. 209-2011	2011/03/11	TMC	CJR
NO.	REVISIONS	DATE	DESIGN	CHECK

SNC-LAVALIN INC. 148 Nature Park Way Winnipeg, MB, Canada R3P 0X7 204-786-8080	
DESIGNED BY: T. CHURCH	CHECKED BY: C. REIMER
DRAWN BY: S. COATES	APPROVED BY: C. REIMER
SCALE: NTS	RELEASED FOR CONSTRUCTION BY: N. HARRINGTON
DATE: 2010/01/26	DATE: 2011/03/11
CONSULTANT NO.: 112577-0106-47DD-0603	

ENGINEER'S SEAL

ORIGINAL DRAWING
 SEALED BY:
 T. M. CHURCH
 SNC-LAVALIN
 MEMBER # 32682
 2011/03/31
 REV. 00

THE CITY OF WINNIPEG
 WATER AND WASTE DEPARTMENT

SOUTH END WATER POLLUTION CONTROL CENTRE
 ESSENTIAL SYSTEM UPGRADES
 WIRING DIAGRAM
 UPS-S1 & PCU-SD, SE, SF, SG

CITY DRAWING NUMBER	SHEET	REV.	SIZE
1-0102S-E0021	001	00	A1