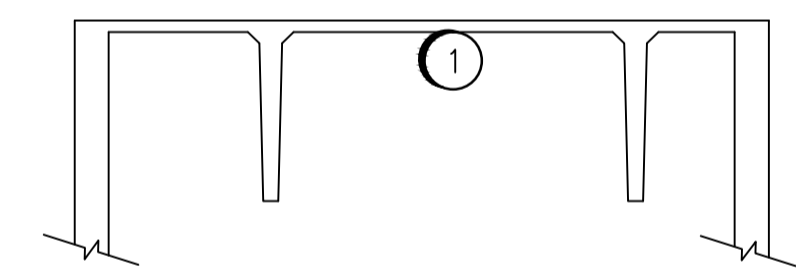


CONSTRUCTION NOTES	
1	INSTALL SMOKE DETECTOR FAS-S119-D01 NEAR THE CENTER OF THE STAIRWELL CEILING.
2	ATTACH CONDUIT TO EXISTING OVERHEAD CONDUIT SUPPORTS.

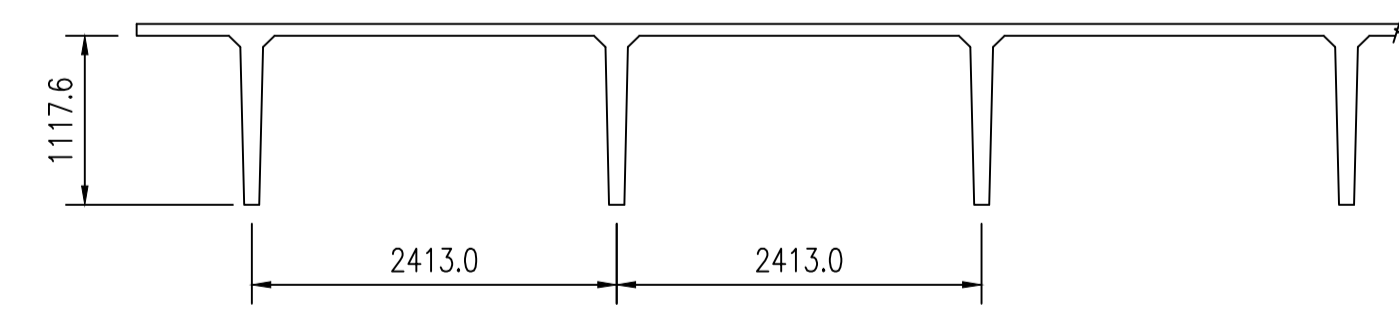
ROOM DETAILS			
ROOM ID	HEIGHT	CEILING TYPE	REF DWG
S116	4.71m	SEE DETAIL 1	SEP-443
S119	11.38m	STAIRWELL	SEP-085
S128	3.87m	CONCRETE	SEP-444

DESIGN INTENT NOTES	
1	PROVIDE EARLY DETECTION OF A THERMAL OXIDIZER EQUIPMENT FIRE.
2	PROVIDE EARLY DETECTION OF AN EXHAUST FAN EQUIPMENT FIRE.

SECONDARY CLARIFIERS - CLARIFIER 2
SCALE 1:100

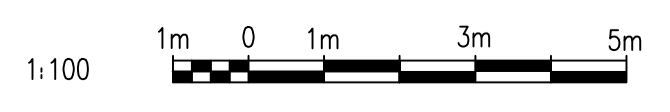


1 TOP OF STAIRWELL S119
SCALE 1:50



2 CEILING BEAM SECTION
SCALE 1:50

NOTES:
1. DEVICE TAGS ARE SHOWN IN SHORTHAND NOTATION. FULL DEVICE TAG FORMAT IS FAS-Sxxx-yyy, WHERE xxx IS THE ROOM NUMBER, AND yyy IS THE DEVICE IDENTIFIER.



NO.	REVISIONS	DATE	DESIGN	CHECK
00	ISSUED FOR TENDER, BID OPP. 209-2011	2011/03/11	EFB	CJR

SNC-LAVALIN INC.
148 Nature Park Way
Winnipeg, MB, Canada R3P 0X7
204-786-8080

DESIGNED BY: E. BOHNCKE
DRAWN BY: E. BOHNCKE
SCALE: AS SHOWN
DATE: 2009/03/20

CHECKED BY: C. REIMER
APPROVED BY: C. REIMER
RELEASED FOR CONSTRUCTION BY: N. HARRINGTON
DATE: 2011/03/11

CONSULTANT NO.: 112577-0101-47DD-0063

ENGINEER'S SEAL
ORIGINAL DRAWING
SEALED BY:
C. J. REIMER
SNC-LAVALIN
MEMBER #21968
2011/03/25
REV. 00

THE CITY OF WINNIPEG
WATER AND WASTE DEPARTMENT

SOUTH END WATER POLLUTION CONTROL CENTRE
FIRE ALARM UPGRADE
PLAN LAYOUT
FIRE ALARM - SECONDARY CLARIFIERS
CLARIFIER 2

CITY DRAWING NUMBER: 1-0102S-E0005
SHEET: 001
REV.: 00
SIZE: A1

DRAWING NUMBER	REFERENCE DRAWINGS
1-0102S-E0020	ELECTRICAL CLASSIFICATION PLAN
1-0102S-E0019	ELECTRICAL CLASSIFICATION PLAN
1-0102A-E0001	FIRE ALARM LEGEND AND DETAILS