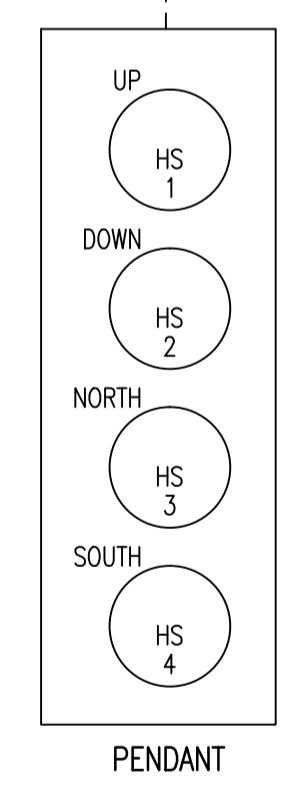
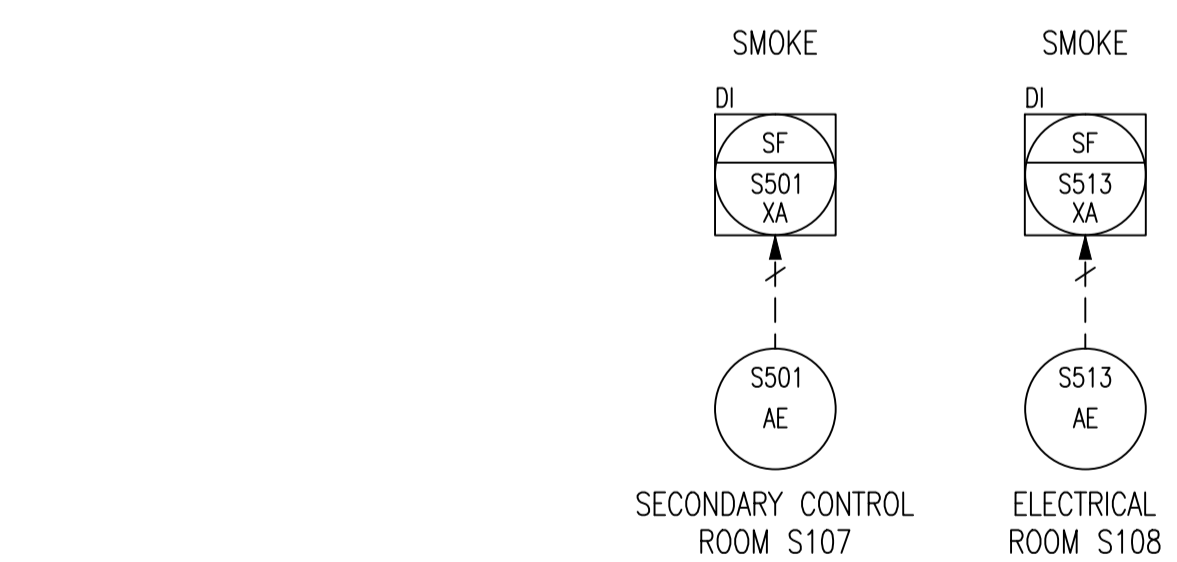
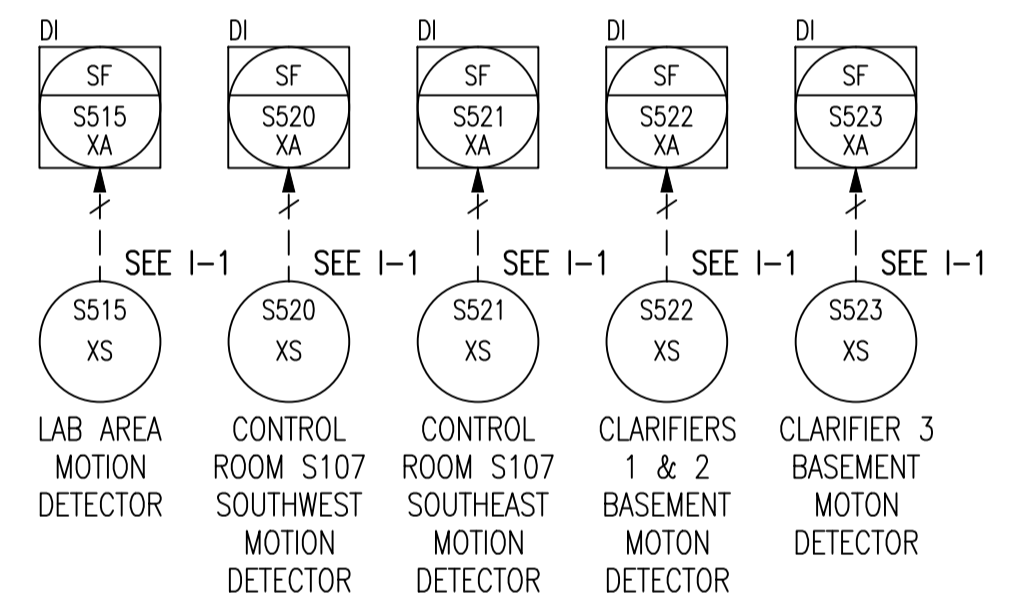
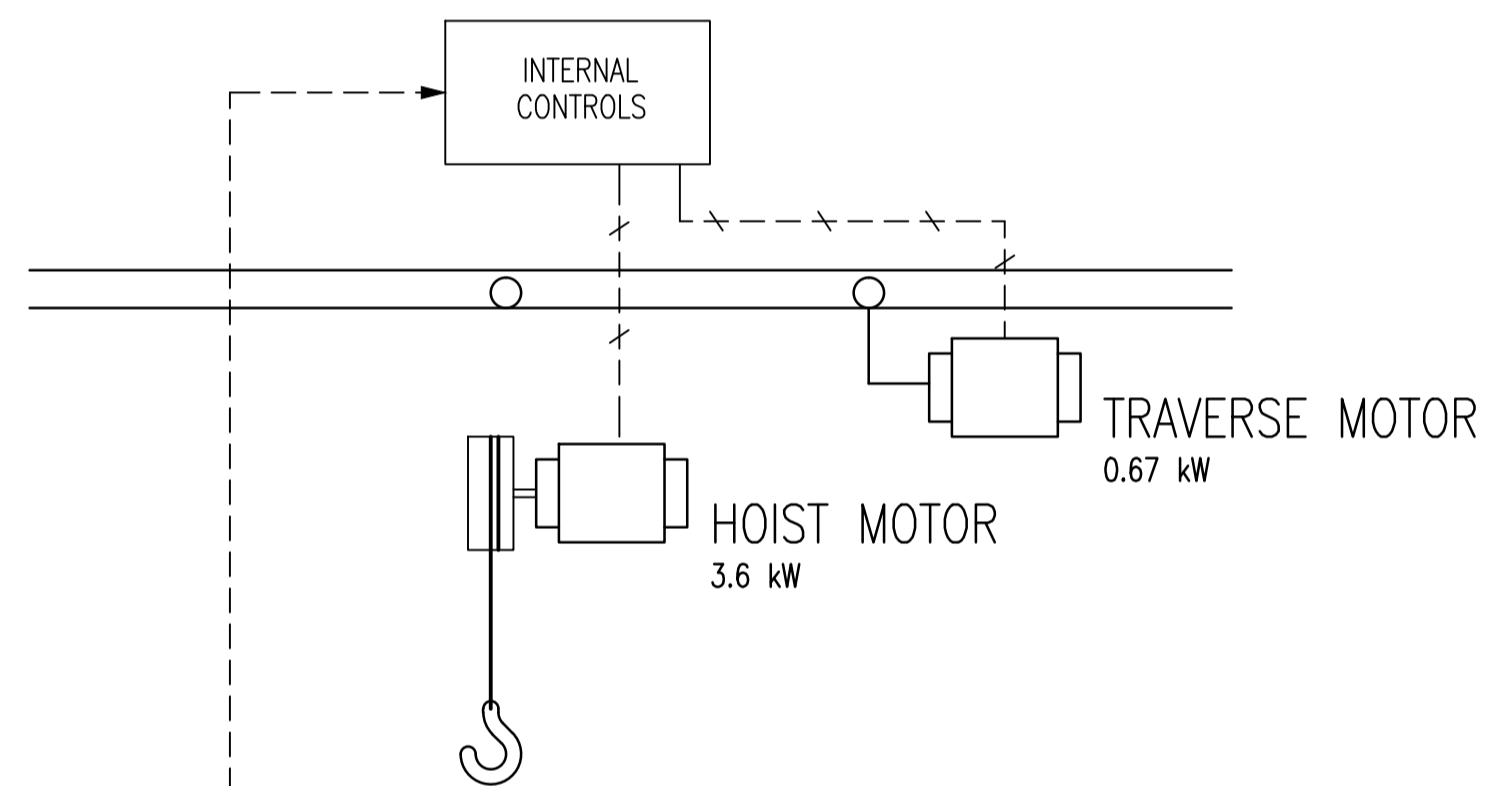
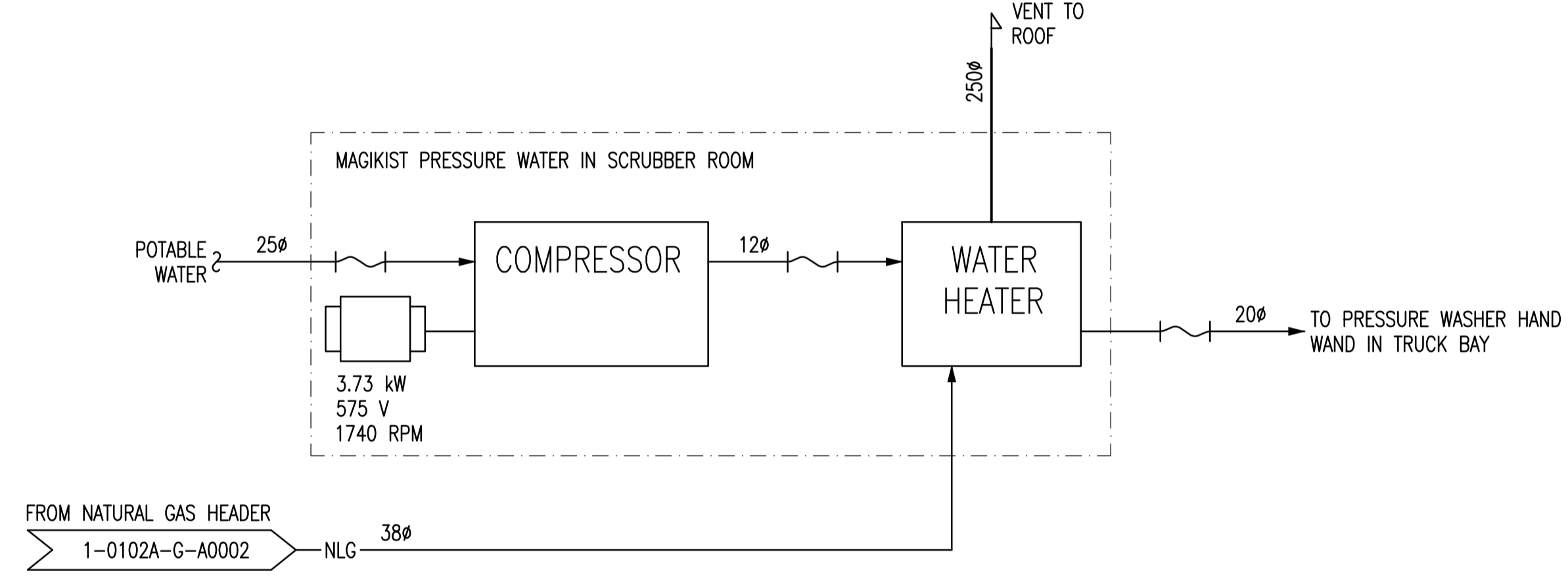
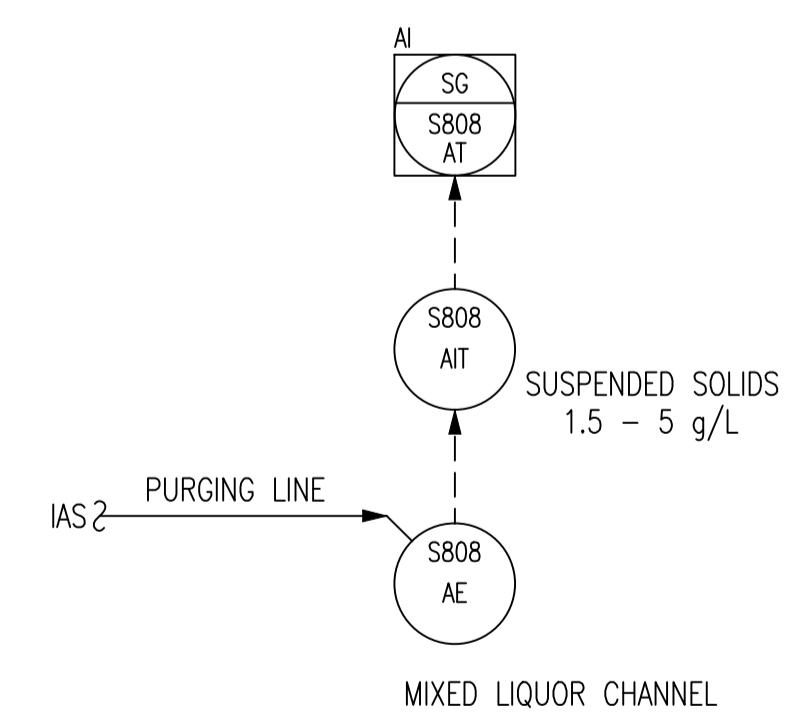
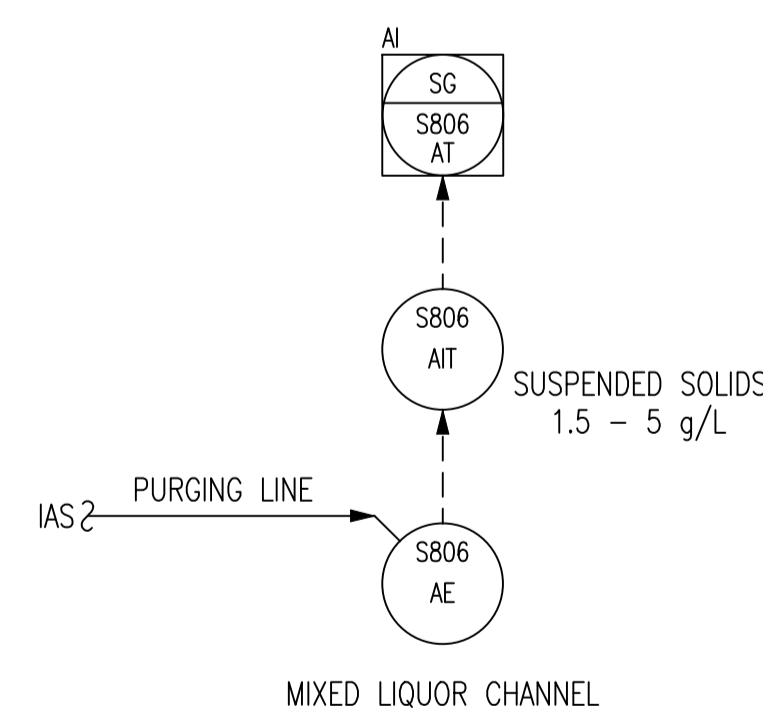


INCONSISTENCIES:
 I-1 MOTION DETECTORS S515-XS, S520-XS, S521-XS, S522-XS, AND S523-XS ARE CURRENTLY DESIGNATED AS S515-AE, S520-AE, S521-AE, S522-AE, AND S523-AE RESPECTIVELY.



SCRUBBER ROOM HOIST
 575V, 3ø



NOTES:
 1. THIS DRAWING SUPERSEDES PORTIONS OF DRAWINGS SEP-509 AND SEP-510.

1-0102A-D-A0001	PROCESS & INSTRUMENT DIAGRAMS LEGEND & DETAILS
DRAWING NUMBER	REFERENCE DRAWINGS

NO.	REVISIONS	DATE	DESIGN	CHECK
01	MODIFIED GAS DETECTION AND ADDED UPS-S1	2011/03/11	TMC	CJR
00	ISSUED FOR CITY USE	2007/02/26	-	EFB

 SNC-LAVALIN INC. 148 Nature Park Way Winnipeg, MB, Canada R3P 0X7 204-786-8080		ENGINEER'S SEAL ORIGINAL DRAWING SEALED BY: T. M. CHURCH SNC-LAVALIN MEMBER #32682 2011/03/25 REV. 01 CHANGES ONLY
DESIGNED BY: EXISTING DRAWN BY: EFB SCALE: NTS DATE: 2005/11/09 CONSULTANT NO.: 112577-0106-49DD-0010	CHECKED BY: EFB APPROVED BY: CJR RELEASED FOR CONSTRUCTION BY: N. HARRINGTON DATE: 2011/03/11	CITY DRAWING NUMBER 1-0102S-A0053 SHEET 001 REV. 01 SIZE D

 THE CITY OF WINNIPEG WATER AND WASTE DEPARTMENT SOUTH END WATER POLLUTION CONTROL CENTRE SECONDARY CLARIFIERS PROCESS & INSTRUMENTATION DIAGRAM MISCELLANEOUS	
CITY DRAWING NUMBER	SHEET
1-0102S-A0053	001
REV.	SIZE
01	D