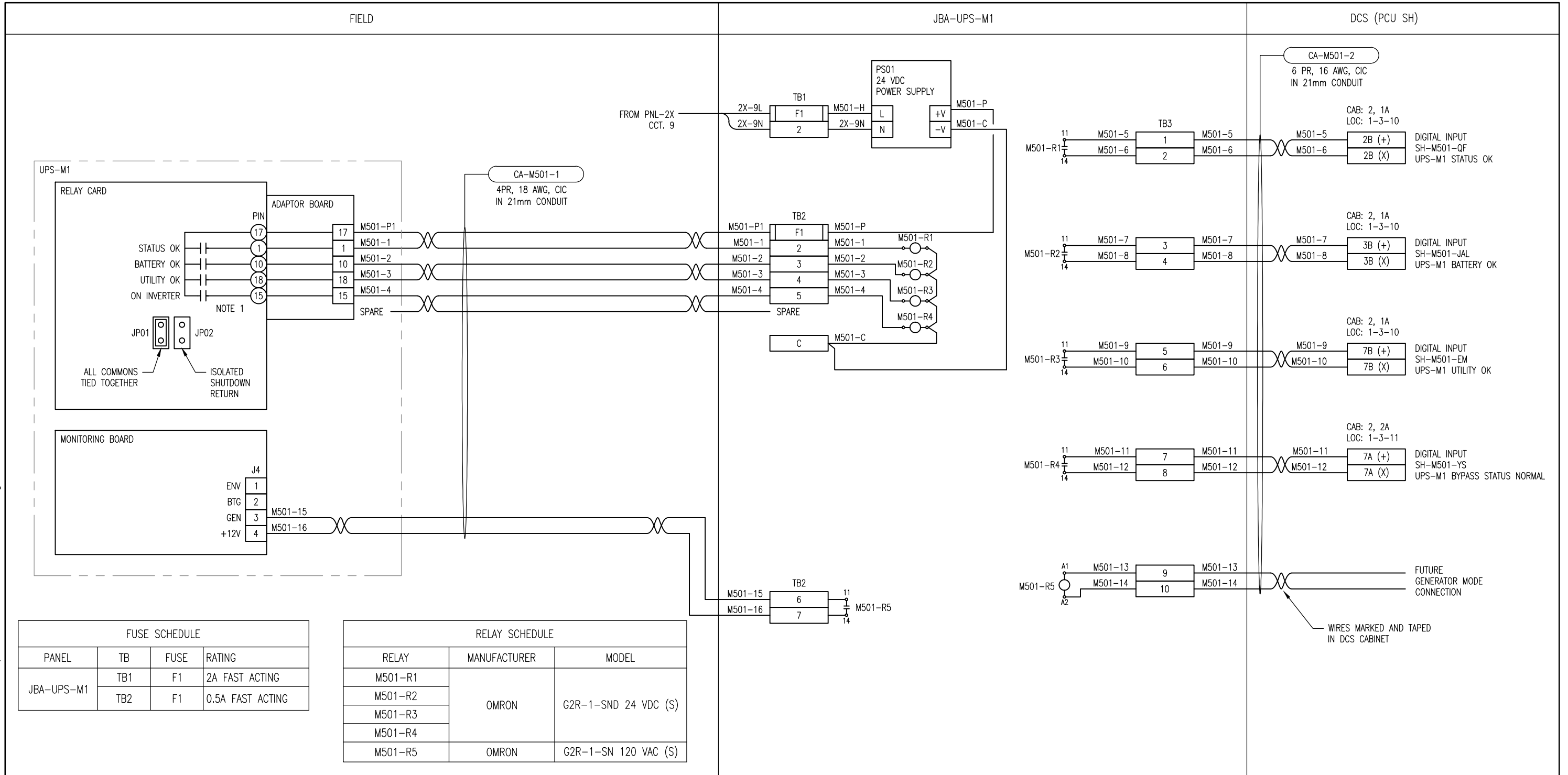


B SIZE - 279mm x 432mm

LAST SAVE: 2011/03/29 - 11:24am
 PATH: M:\112577\0106\4ENG\4TELE\DD - General DWG\1-0102M-A0012-001-00.dwg



FUSE SCHEDULE			
PANEL	TB	FUSE	RATING
JBA-UPS-M1	TB1	F1	2A FAST ACTING
	TB2	F1	0.5A FAST ACTING

RELAY SCHEDULE		
RELAY	MANUFACTURER	MODEL
M501-R1	OMRON	G2R-1-SND 24 VDC (S)
M501-R2		
M501-R3		
M501-R4		
M501-R5	OMRON	G2R-1-SN 120 VAC (S)

NOTES:
 1. CONTACTS SHOWN IN DE-ENERGIZED STATE.



SNC-LAVALIN INC.
 148 Nature Park Way
 Winnipeg, MB, Canada R3P 0X7
 204-786-8080

DESIGNED BY: T. CHURCH	CHECKED BY: C. REIMER
DRAWN BY: S. COATES	APPROVED BY: C. REIMER
SCALE: N.T.S.	DATE: 2010/01/14
RELEASED FOR CONSTRUCTION	
BY: N. HARRINGTON	DATE: 2011/03/11
CONSULTANT NO.: 112577-0106-47DD-1100	

ENGINEER'S SEAL
 ORIGINAL DRAWING
 SEALED BY:
 T. M. CHURCH
 SNC-LAVALIN
 2011/03/25
 REV. 00

THE CITY OF WINNIPEG
 WATER AND WASTE DEPARTMENT

SOUTH END WATER POLLUTION CONTROL CENTRE
 ESSENTIAL SYSTEM UPGRADES
 INSTRUMENT LOOP DIAGRAM
 UPS-M1 ALARMS

CITY DRAWING NUMBER	SHEET	REV.	SIZE
1-0102M-A0012	001	00	B