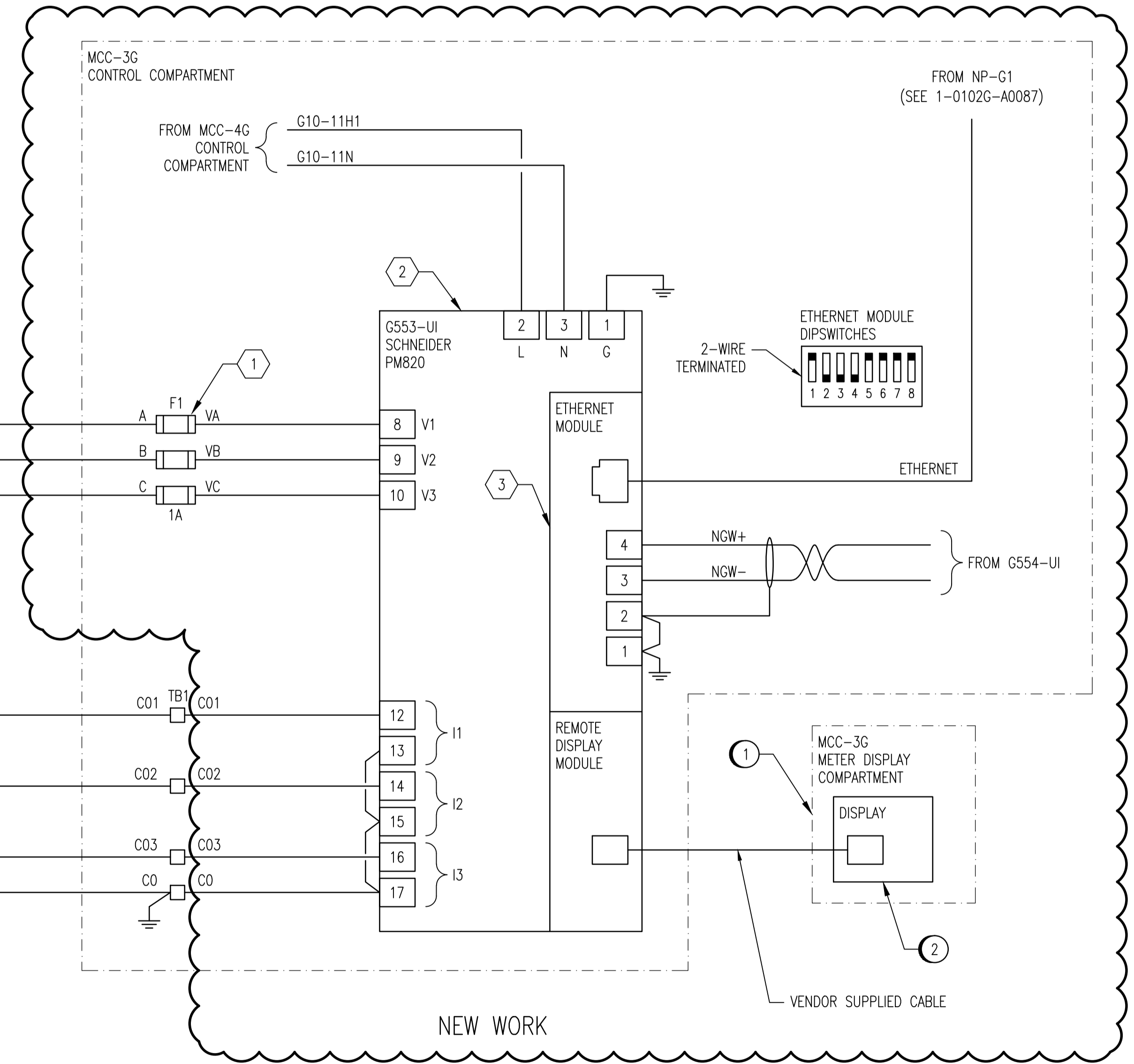


BILL OF MATERIAL				
ITEM	QTY.	DESCRIPTION	MANUFACTURER	CATALOG NO.
1	2	FUSE HOLDER, CLASS CC, 3 FUSES	LITTELFUSE	LPSC003
	6	FUSE, CLASS CC, FAST ACTING, 1A	LITTELFUSE	KLKR-1
2	2	POWER METER, THD MEASUREMENT, ALARMING C/W REMOTE DISPLAY	SCHNEIDER	PM820RDMG
3	1	ETHERNET COMMUNICATIONS MODULE	SCHNEIDER	PM8ECC
4	2	FUSE TERMINAL, 120 VAC, LED, C/W 1A FUSE	PHOENIX CONTACT	3046100
5	2	UT-4 TERMINAL BLOCK, GREY	PHOENIX CONTACT	3044102

CONSTRUCTION NOTES	
1	REMOVE EXISTING WIRING FROM IQ DATA PLUS IN METER DISPLAY COMPARTMENT TO CONTROL COMPARTMENT. REMOVE 600V WIRING TO METER DISPLAY COMPARTMENT.
2	PROVIDE MOUNTING PLATE TO COVER THE EXISTING HOLE IN COMPARTMENT DOOR. PLATE IS TO HAVE SAME FINISH AS DOOR.
3	OBTAIN A DEPARTMENT OF LABOUR INSPECTION OF THE MCC MODIFICATIONS.



NOTES:

- THIS DRAWING IS BASED ON WESTINGHOUSE SHOP DRAWING 14B7004.

1-0102G-E0008	GRIT BUILDING - SINGLE LINE DIAGRAM
DRAWING NUMBER	REFERENCE DRAWINGS



NO.	REVISIONS	DATE	DESIGN	CHECK
00	ISSUED FOR TENDER, BID OPP. 209-2011	2011/03/11	TMC	CJR

DESIGNED BY:	T. CHURCH
CHECKED BY:	C. REIMER
DRAWN BY:	S. FUNK
APPROVED BY:	C. REIMER
SCALE:	NTS
RELEASED FOR CONSTRUCTION BY:	N. HARRINGTON
DATE:	2011/03/07
DATE:	2011/03/11
CONSULTANT NO.:	112577-0105-47DD-0132

ENGINEER'S SEAL
 ORIGINAL DRAWING
 SEALED BY:
 T. M. CHURCH
 SNC-LAVALIN
 MEMBER # 32682
 2011/03/28
 REV. 00

THE CITY OF WINNIPEG WATER AND WASTE DEPARTMENT			
SOUTH END WATER POLLUTION CONTROL CENTER ESSENTIAL SYSTEMS UPGRADES WIRING DIAGRAM MCC-3G & MCC-4G POWER METERS			
CITY DRAWING NUMBER	SHEET	REV.	SIZE
1-0102G-E0030	001	00	A1