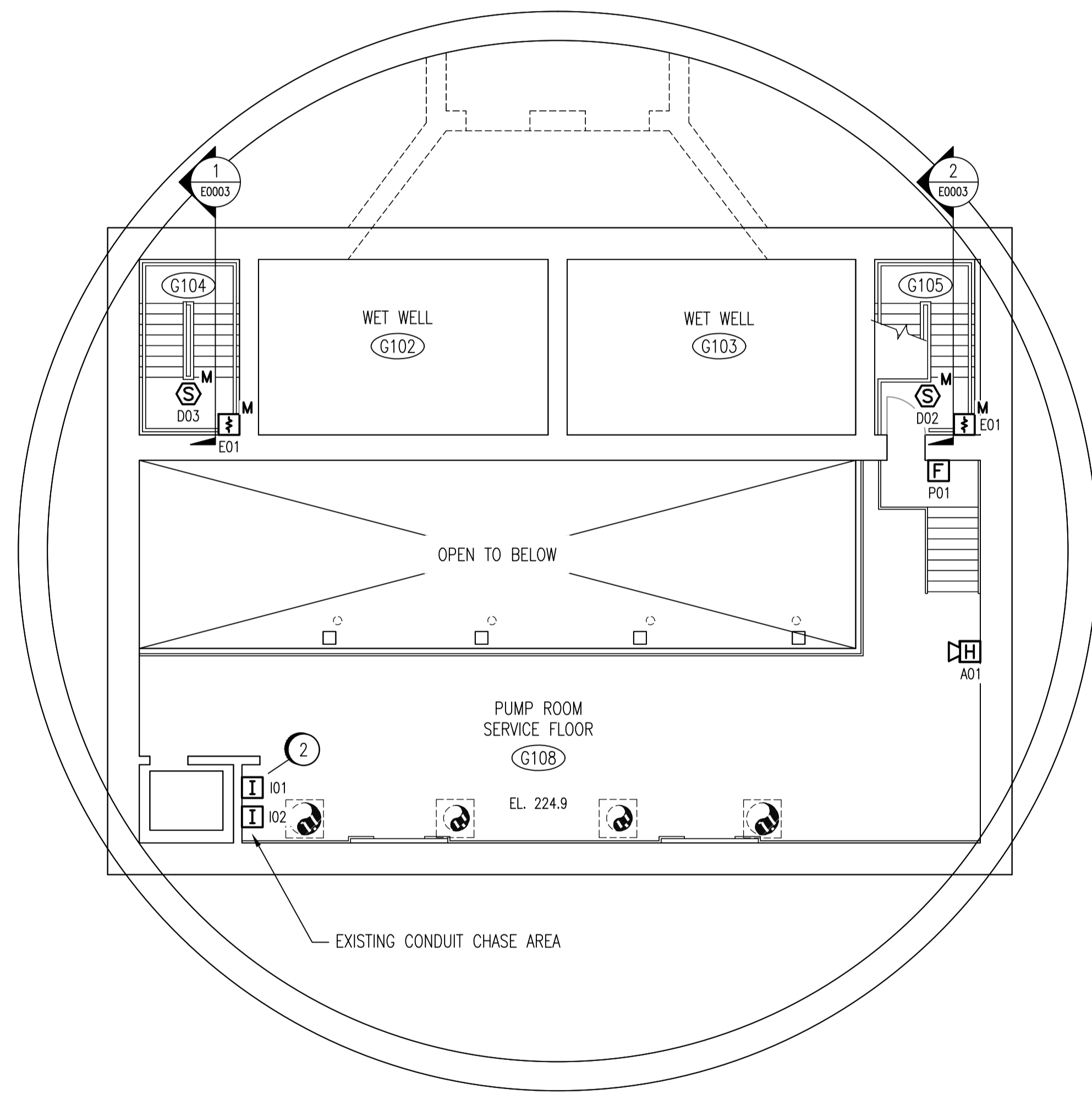
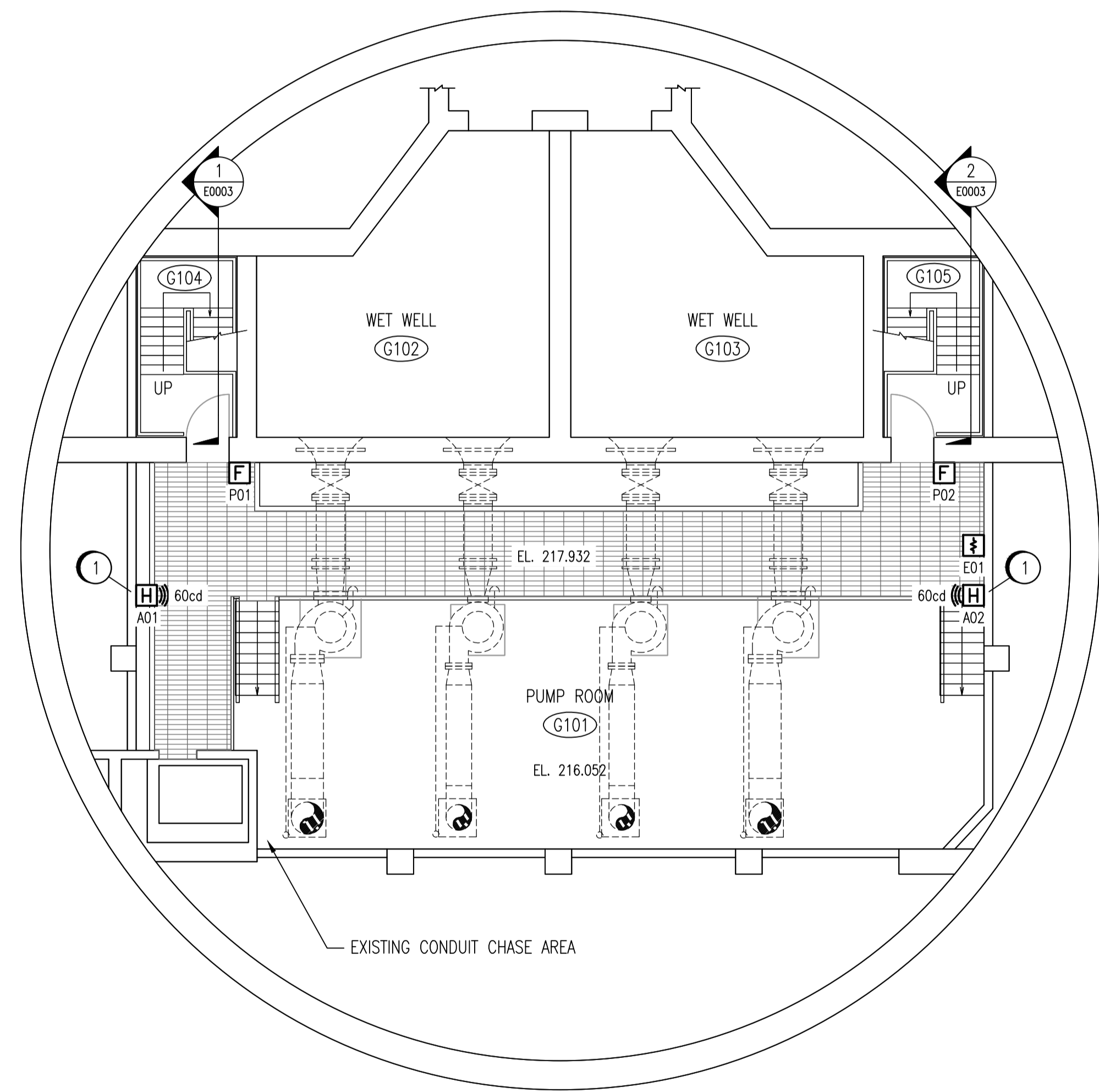


CONSTRUCTION NOTES	
1	INSTALL COMBINATION HORN/STROBES 2000mm ABOVE LEVEL OF METAL WALLKWAY.
2	INSTALL PENETRATION AS PER DETAIL 1 OF 1-0102A-E0008.

ROOM DETAILS			
ROOM ID	HEIGHT	CEILING TYPE	REF DWG
G101	8.89m	CONCRETE - PARTIAL (SERVICE FLOOR ABOVE)	SEP-815
G104	26.11m	STAIRWELL	SEP-825
G105	22.22m	STAIRWELL	SEP-825

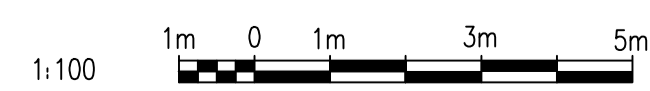


PUMP WELL - FLOWMETER LEVEL



PUMP WELL - PUMP LEVEL

NOTES:
 1. DEVICE TAGS ARE SHOWN IN SHORTHAND NOTATION. FULL DEVICE TAG FORMAT IS FAS-Gxxx-yyy, WHERE xxx IS THE ROOM NUMBER, AND yyy IS THE DEVICE IDENTIFIER.



NO.	REVISIONS	DATE	DESIGN	CHECK
00	ISSUED FOR TENDER, BID OPP. 209-2011	2011/03/11	EFB	CJR

SNC-LAVALIN INC.
 148 Nature Park Way
 Winnipeg, MB, Canada R3P 0X7
 204-786-8080

DESIGNED BY: E. BOHNCKE
 CHECKED BY: C. REIMER
 DRAWN BY: E. BOHNCKE
 APPROVED BY: C. REIMER
 SCALE: 1:100
 RELEASED FOR CONSTRUCTION BY: N. HARRINGTON
 DATE: 2009/03/20
 DATE: 2011/03/11
 CONSULTANT NO.: 112577-0101-47DD-0021

ENGINEER'S SEAL
 ORIGINAL DRAWING
 SEALED BY:
 C. J. REIMER
 SNC-LAVALIN
 MEMBER #21968
 2011/03/25
 REV. 00

THE CITY OF WINNIPEG
 WATER AND WASTE DEPARTMENT

SOUTH END WATER POLLUTION CONTROL CENTRE
 FIRE ALARM UPGRADE
 PLAN LAYOUT
 FIRE ALARM - GRIT BUILDING
 WETWELL & DRYWELL

CITY DRAWING NUMBER: 1-0102G-E0001
 SHEET: 001
 REV.: 00
 SIZE: A1

1-0102G-E0012	ELECTRICAL CLASSIFICATION PLAN
1-0102A-E0001	FIRE ALARM LEGEND AND DETAILS
DRAWING NUMBER	REFERENCE DRAWINGS