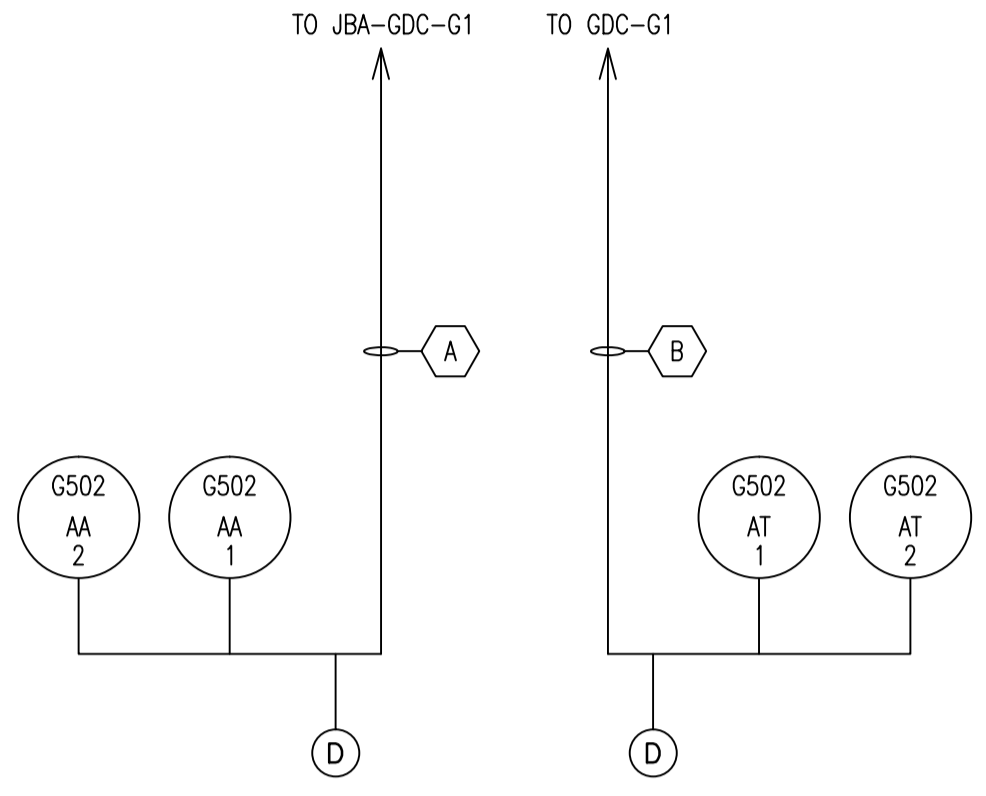
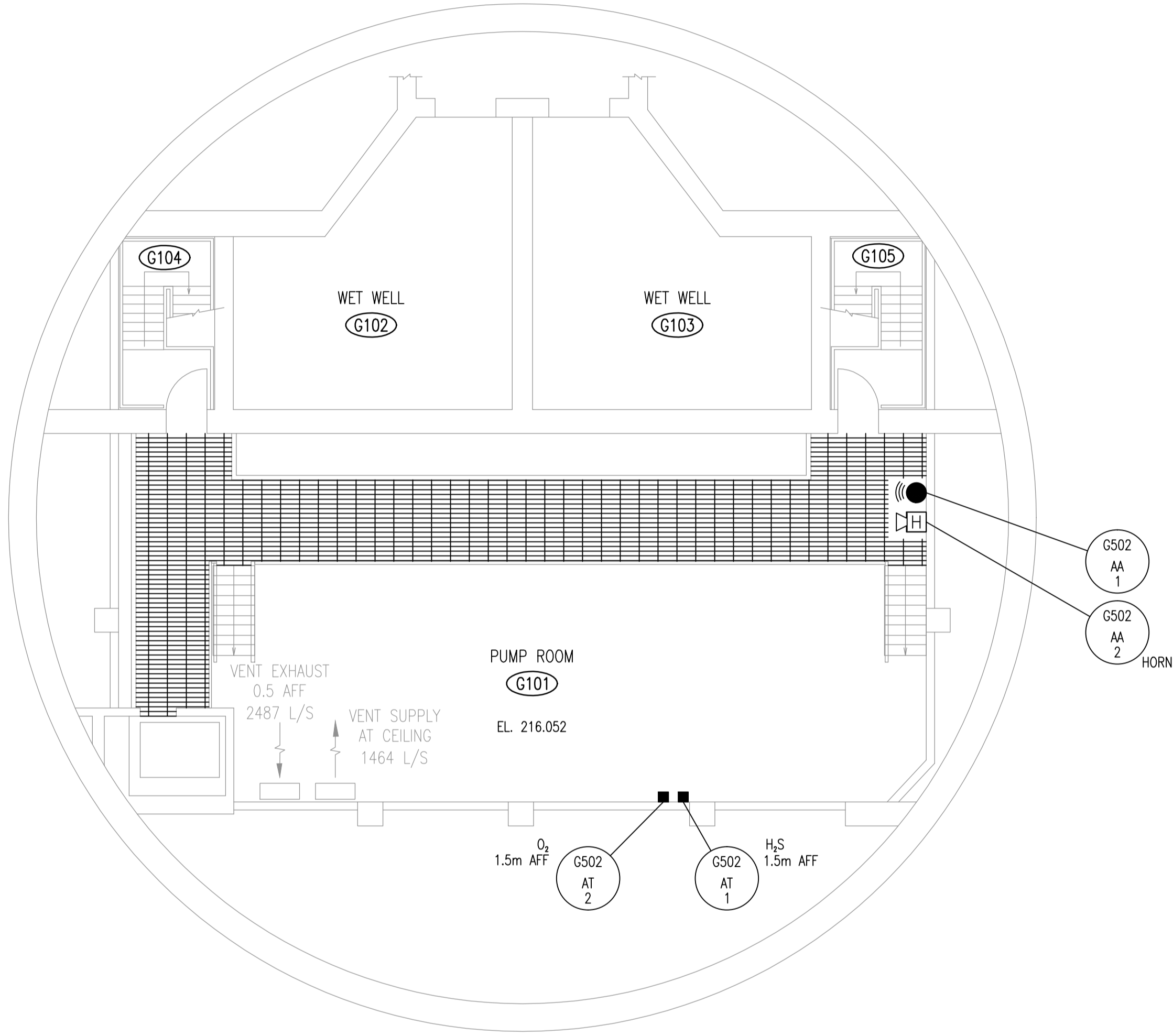


DETECTOR SCHEDULE				
ID	GAS DETECTED	HEIGHT	INSTALLATION DETAIL	NOTES
G502-AT01	H <sub>2</sub> S	1.5m AFF	1-0102A-A0005	
G502-AT02	O <sub>2</sub>	1.5m AFF	1-0102A-A0005	

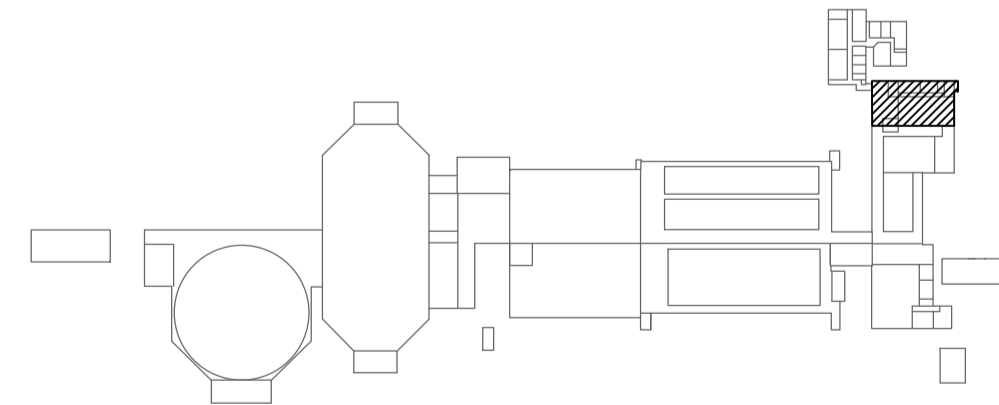
CONDUIT & WIRE SCHEDULE			
TYPE	SIZE	CABLES	NOTES
A	21mm	2C, 14 AWG, RW90	
B	21mm	2x 1TR, 18 AWG, CIC	



CONDUIT RISER DIAGRAM



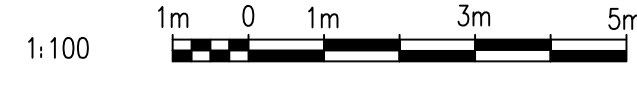
DRY WELL LEVEL  
EL. 217.9



KEYPLAN

- LEGEND:**
- EXISTING EQUIPMENT TO BE REMOVED
  - [H] HORN
  - STROBE
  - (S) HAZARDOUS SEAL
  - (D) CONDUIT DRAIN

- NOTES:**
- INSTALL CONDUIT DRAINS IN THE LOW POINT OF EACH CONDUIT RUN.



NO.	REVISIONS	DATE	DESIGN	CHECK
00	ISSUED FOR TENDER, BID OPP. 209-2011	2011/03/11	TMC	CJR

**SNC-LAVALIN INC.**  
148 Nature Park Way  
Winnipeg, MB, Canada R3P 0X7  
204-786-8080

DESIGNED BY: T. CHURCH  
CHECKED BY: C. REIMER  
DRAWN BY: T. CHURCH  
APPROVED BY: C. REIMER  
SCALE: 1:100  
RELEASED FOR CONSTRUCTION BY: N. HARRINGTON  
DATE: 2009/07/06  
DATE: 2011/03/11  
CONSULTANT NO.: 112577-0106-480D-1201

ENGINEER'S SEAL  
ORIGINAL DRAWING  
SEALED BY:  
T. M. CHURCH  
SNC-LAVALIN  
MEMBER #32682  
2011/03/25  
REV. 00

**THE CITY OF WINNIPEG**  
WATER AND WASTE DEPARTMENT

SOUTH END WATER POLLUTION CONTROL CENTRE  
ESSENTIAL SYSTEM UPGRADES  
INSTRUMENT LOCATION PLAN  
GAS DETECTION - DRY WELL  
LOWER LEVEL

CITY DRAWING NUMBER: 1-0102G-A0045  
SHEET: 001  
REV: 00  
SIZE: A1

1-0102G-E0012	ELECTRICAL CLASSIFICATION PLAN
DRAWING NUMBER	REFERENCE DRAWINGS