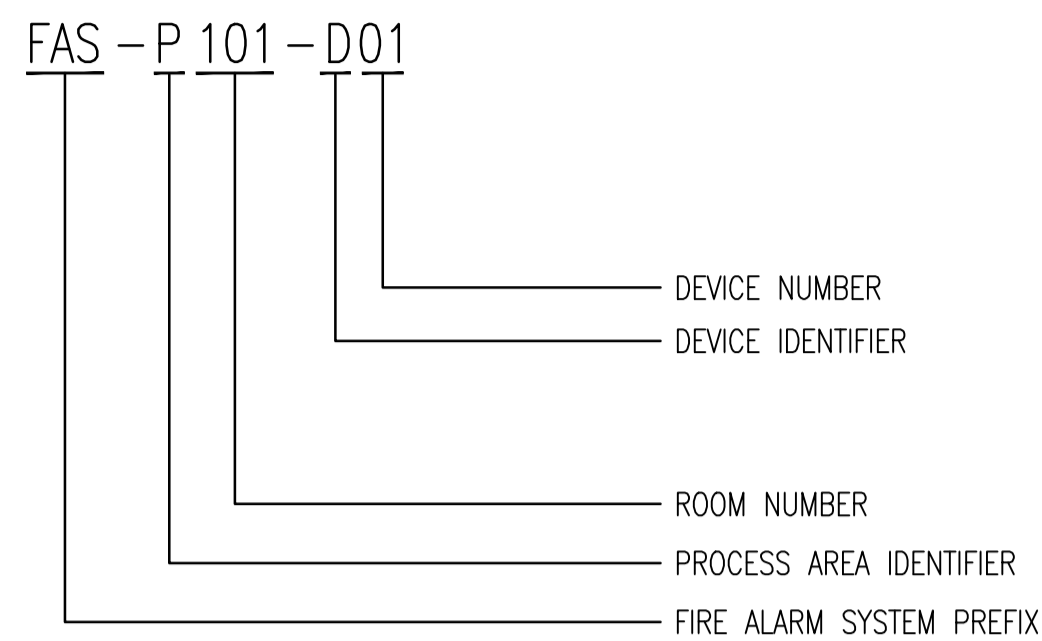


FIRE ALARM DEVICE TAG FORMAT



- NOTES:**
- THE DEVICE TAG MAY BE SHORTENED TO EXCLUDE THE FIRE ALARM SYSTEM PREFIX AND THE PROCESS AREA/ROOM NUMBER ON SOME DRAWINGS WHERE CONTEXTUAL INFORMATION MAKES THESE PORTIONS OF THE TAG UNNECESSARY.
 - WHERE POSSIBLE, ROOM NUMBERS WERE ASSIGNED ACCORDING TO THE ROOM NUMBERS SHOWN ON THE ORIGINAL CONSTRUCTION DRAWINGS.

EXAMPLE:



FIRE ALARM DEVICE SYMBOLS

NEW	EXISTING	DEVICE
		SMOKE DETECTOR
		SMOKE DETECTOR - AIR DUCT TYPE
		SMOKE DETECTOR - BEAM TYPE
		HEAT DETECTOR - FIXED TEMP
		HEAT DETECTOR - RATE OF RISE
		FLAME DETECTOR
		MANUAL PULL STATION
		ALARM OUTPUT DEVICE
		ALARM INPUT DEVICE (ADDRESSABLE MONITOR MODULE)
		ALARM HORN/AUDIBLE ANNUNCIATION DEVICE
		ALARM HORN W/STROBE LIGHT
		ALARM STROBE LIGHT
		FIRE ALARM CONTROL PANEL
		FIRE ALARM ANNUNCIATOR PANEL
		BOOSTER POWER SUPPLY
		FAULT ISOLATION MODULE
		END OF LINE DEVICE
		BOOSTER POWER SUPPLY
		AUTOMATIC DOOR RELEASE DEVICE
		CONDUIT SEAL (HAZARDOUS)
		SURGE ARRESTOR

FIRE ALARM DEVICE TYPE MODIFIERS/NOTES

MODIFIER	DEVICE TYPE
	HAZARDOUS CLASS I, ZONE 1, GROUP IIA RATED
	HAZARDOUS CLASS I, ZONE 2, GROUP IIA RATED
	CATEGORY 1 (MOISTURE)
	CATEGORY 2 (CORROSIVE)
	CATEGORY 2 WET (MOISTURE & CORROSIVE)
	COLD - SUITABLE FOR USE IN ENVIRONMENTS WHERE THE AMBIENT TEMPERATURE IS LESS THAN 0°C
	CONTAINS INTEGRATED ISOLATION MODULE
	END OF LINE RESISTOR MOUNTED IN MOISTURE-SEALED ENCLOSURE
	WEATHER PROOF; SUITABLE FOR USE OUTDOORS
	ALARM BELL
	BEAM-TYPE TRANSMITTER AND RECEIVER PAIR
	BEAM-TYPE TRANSMITTER/RECEIVER FOR USE WITH MIRROR REFLECTOR

STROBE LIGHTS

75cd ON DEVICES THAT ARE USER-SETTABLE, LIGHT OUTPUT IS INDICATED BESIDE THE DEVICE.

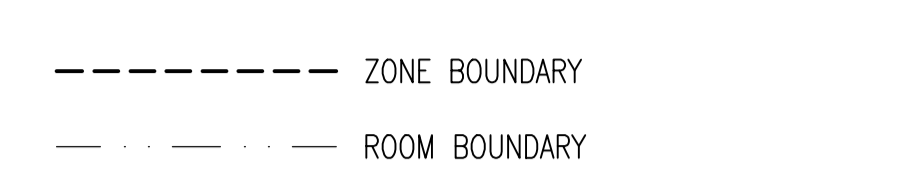
50cd

ALARM PANELS

FACP-1

FAAP-1 ALARM PANELS ARE IDENTIFIED BY A NUMBER 1-9.

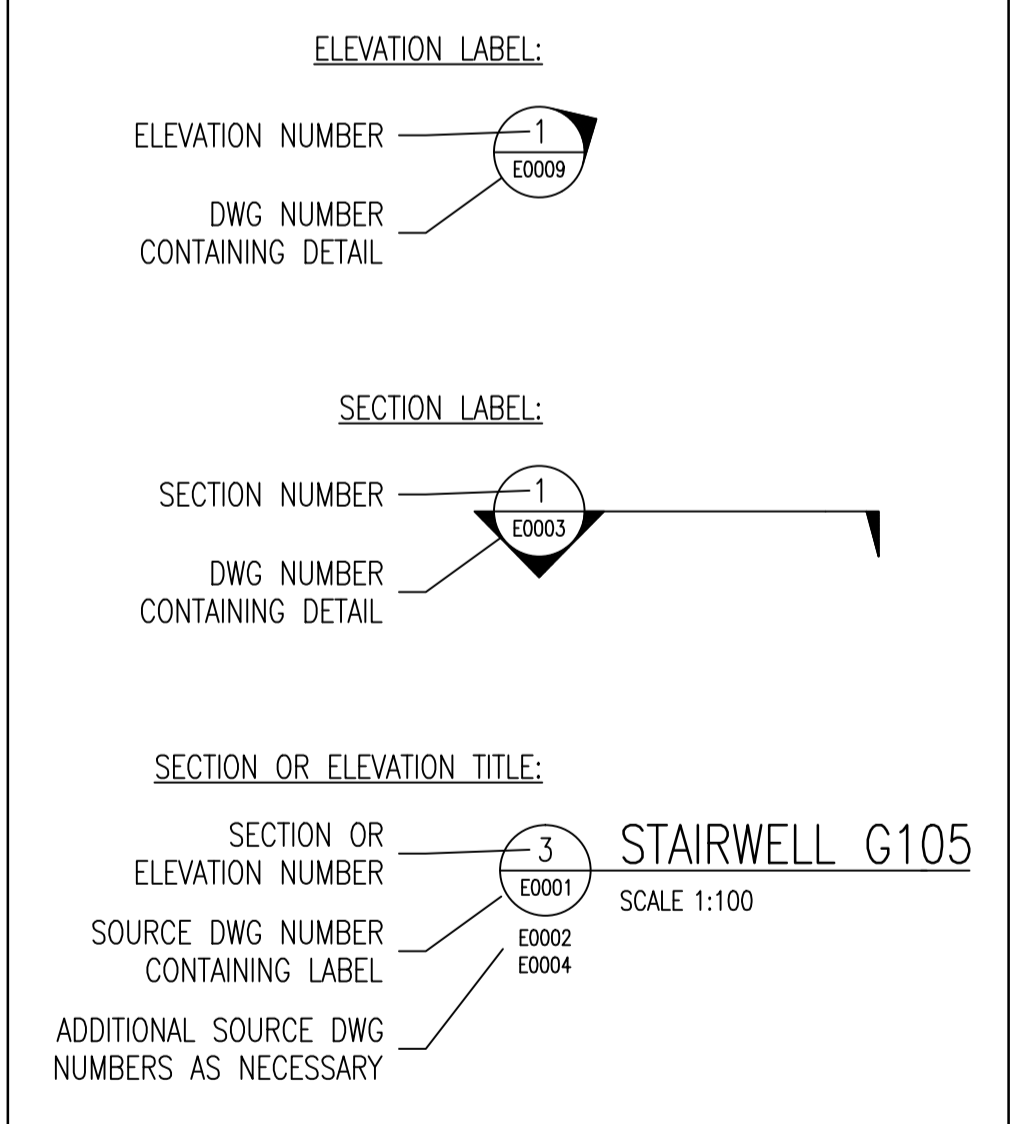
FIRE ALARM RISER DIAGRAM LINE TYPES



PROCESS AREA IDENTIFIERS	
M	ADMINISTRATION BUILDING & SEPTAGE FACILITY
G	PUMP & SCREEN BUILDING, GRIT BUILDING, STANDBY GENERATOR BUILDING
B	SERVICE BUILDING, BOILERS, CHEMICAL STORAGE BUILDING
P	PRIMARY CLARIFIERS
R	OXYGEN REACTORS
S	SECONDARY CLARIFIERS
Z	UV DISINFECTION

FIRE ALARM DEVICE IDENTIFIERS	
D	DETECTION DEVICE (HEAT DETECTOR, SMOKE DETECTOR)
A	ANNUNCIATION DEVICE (HORN, STROBE)
P	PULLSTATION
M	ADDRESSABLE MONITOR/INPUT MODULE
I	ISOLATION MODULE
E	END OF LINE DEVICE
R	AUTOMATIC DOOR RELEASE DEVICE
C	CONTROL RELAY MODULE
S	SIGNAL MODULE

SECTIONS AND ELEVATIONS



<p>SNC-LAVALIN INC. 148 Nature Park Way Winnipeg, MB, Canada R3P 0X7 204-798-8080</p>		<p>ENGINEER'S SEAL</p> <p>ORIGINAL DRAWING SEALED BY: C. J. REIMER SNC-LAVALIN MEMBER #21968 2011/03/25 REV. 00</p>	<p>THE CITY OF WINNIPEG WATER AND WASTE DEPARTMENT</p> <p>SOUTH END WATER POLLUTION CONTROL CENTRE FIRE ALARM UPGRADE LEGEND AND DETAILS</p>
<p>DESIGNED BY: E. BOHNCKE DRAWN BY: E. BOHNCKE SCALE: - DATE: 2009/03/20</p>		<p>CHECKED BY: C. REIMER APPROVED BY: C. REIMER RELEASED FOR CONSTRUCTION BY: N. HARRINGTON DATE: 2011/03/11</p>	<p>CITY DRAWING NUMBER 1-0102A-E0001</p>
<p>00 ISSUED FOR TENDER, BID OPP. 209-2011 NO. REVISIONS</p>	<p>2011/03/11 DATE</p>	<p>EFB CJR DESIGN CHECK</p>	<p>CONSULTANT NO.: 112577-0101-47DD-0001</p>
<p>DRAWING NUMBER</p>		<p>REFERENCE DRAWINGS</p>	<p>SHEET REV. SIZE 001 00 A1</p>