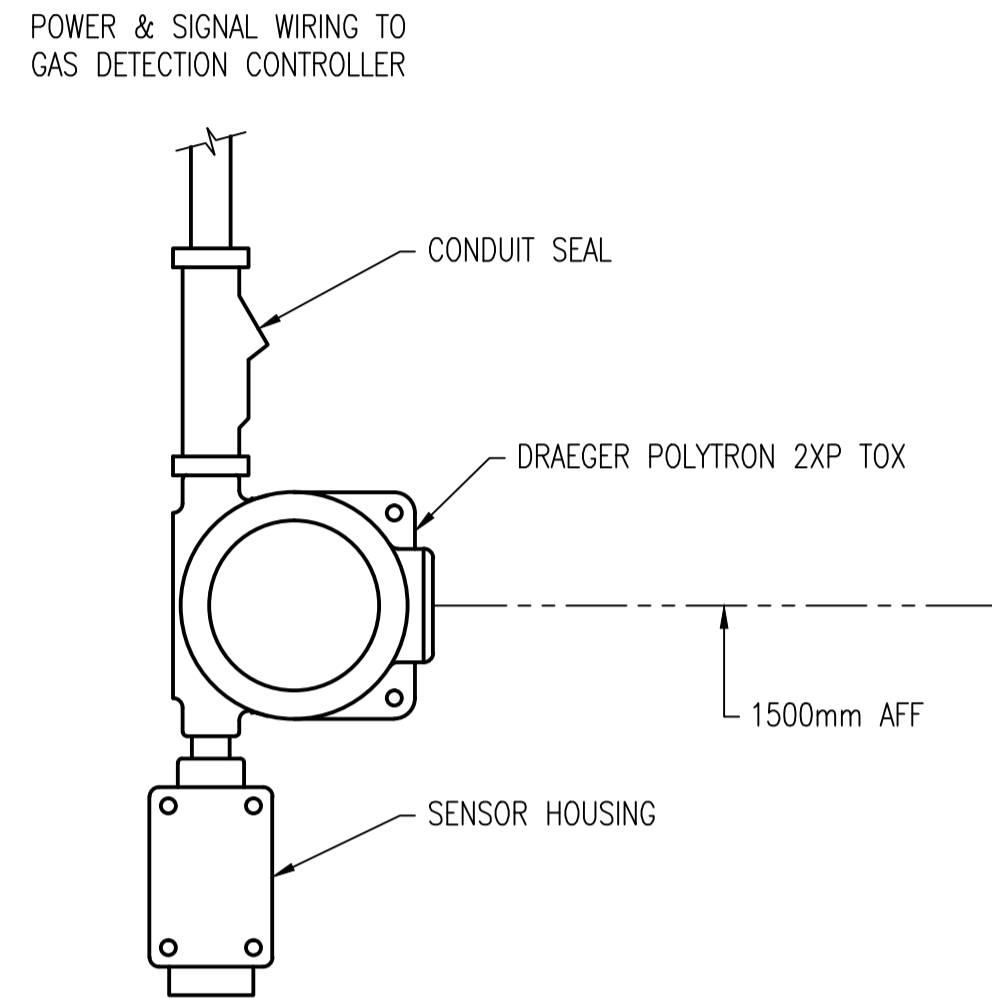
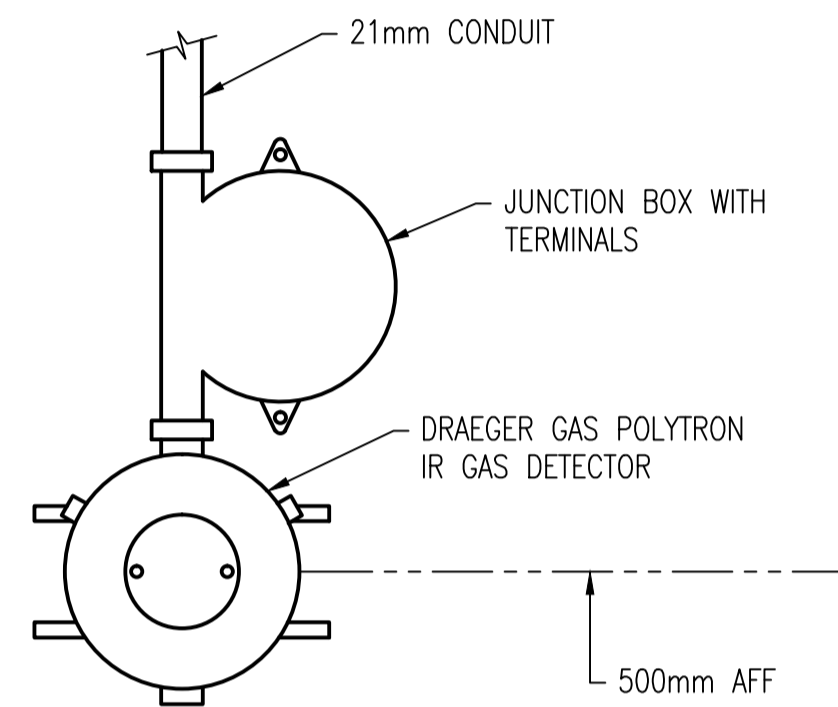


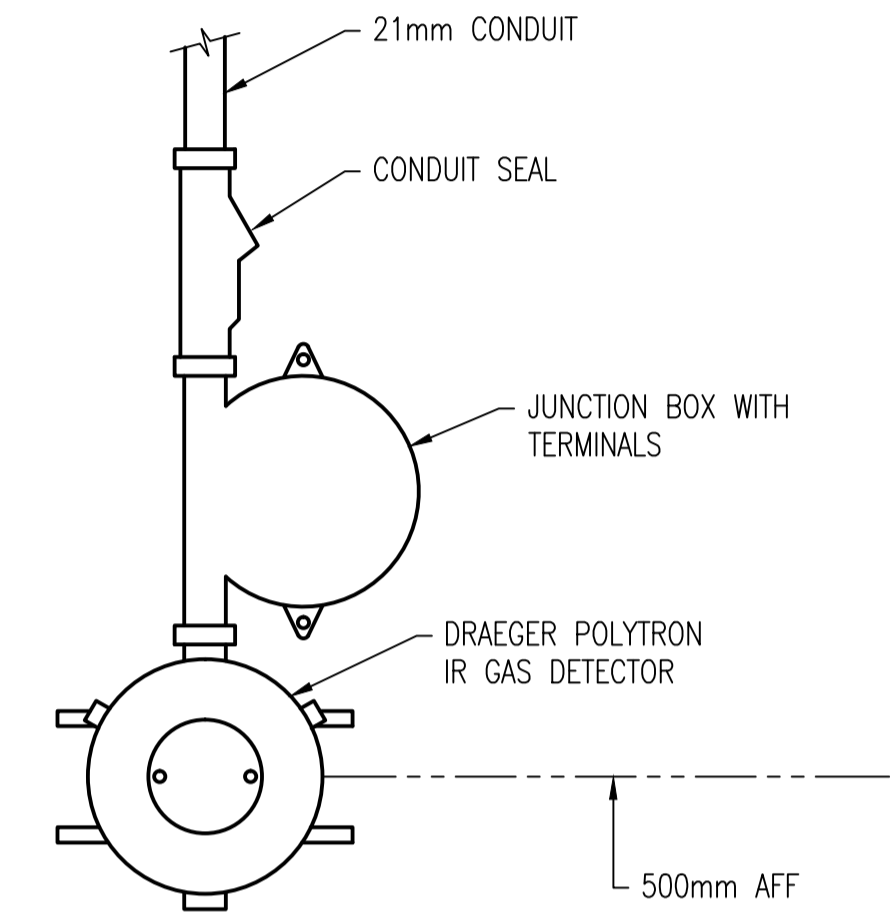
A WALL MOUNTED H₂S & O₂ DETECTOR
UNCLASSIFIED LOCATION
SCALE: 1 : 4



B WALL MOUNTED H₂S & O₂ DETECTOR
HAZARDOUS CLASS 1, ZONE 2 LOCATION
SCALE: 1 : 4



C WALL MOUNTED HYDROCARBON DETECTOR
UNCLASSIFIED LOCATION
SCALE: 1 : 4



D WALL MOUNTED HYDROCARBON DETECTOR
HAZARDOUS CLASS 1, ZONE 2 LOCATION
SCALE: 1 : 4

NOTES:

- INSTALL ALL METALLIC CONDUITS AND DEVICES WITH A MINIMUM OF 12mm CLEARANCE FROM THE SUPPORTING SURFACE AS PER CEC 22-302.



NO.	REVISIONS	DATE	DESIGN	CHECK
00	ISSUED FOR TENDER, BID OPP. 209-2011	2011/03/11	TMC	CJR

SNC-LAVALIN INC. 148 Nature Park Way Winnipeg, MB, Canada R3P 0X7 204-798-8080	
DESIGNED BY: T. CHURCH	CHECKED BY: C. REIMER
DRAWN BY: S. COATES	APPROVED BY: C. REIMER
SCALE: 1:4	RELEASED FOR CONSTRUCTION BY: N. HARRINGTON DATE: 2011/03/11
DATE: 2009/11/16	DATE: 2011/03/11
CONSULTANT NO.: 112577-0106-48DD-1901	

ENGINEER'S SEAL
ORIGINAL DRAWING
SEALED BY:
T. M. CHURCH
SNC-LAVALIN
MEMBER # 32682
2011/03/25
REV. 00

THE CITY OF WINNIPEG
WATER AND WASTE DEPARTMENT

SOUTH END WATER POLLUTION CONTROL CENTRE
ESSENTIAL SYSTEM UPGRADES
INSTALLATION DETAILS
GAS DETECTION EQUIPMENT
MISCELLANEOUS

CITY DRAWING NUMBER	SHEET	REV.	SIZE
1-0102A-A0005	001	00	A1