

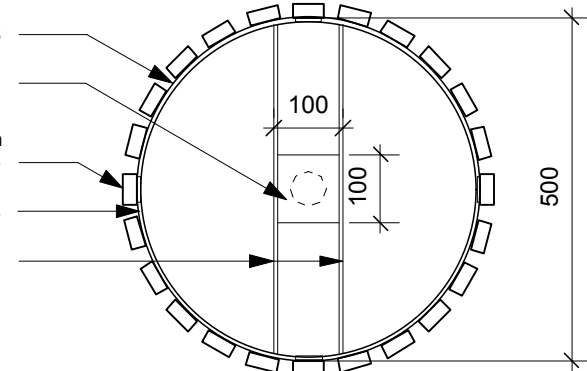
Drawing Title:

Drawing No:

# WASTE RECEPTACLE GALVANIZED METAL SLAT TYPE

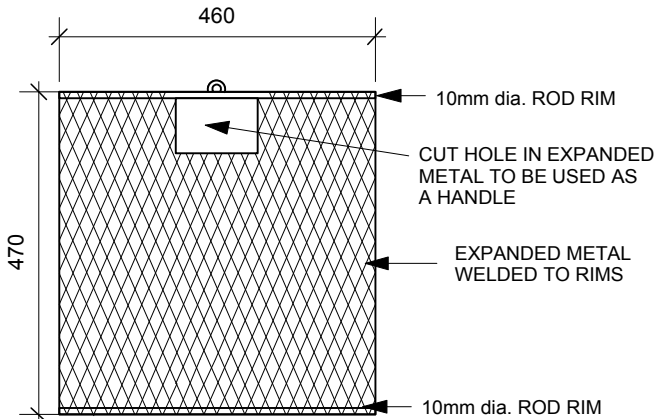
## SCD-119 A

- 38mm x 6mm FLAT IRON (4 REQ'D) VERTICALS
- 13mm PLATE WELDED TO 51mm I.D. STANDARD PIPE LEG
- WELD 25 EQUALLY SPACED 20mm x 38mm STEEL TUBING WITH TOP CAPPED TO HOOPS
- 38mm x 6mm x 500mm O.D. HOOPS
- 2-38mm x 6mm FLAT IRON



**PLAN**

16mm I.D. LOOP OF 10mm dia. ROD WELDED TO TAKE PADLOCK

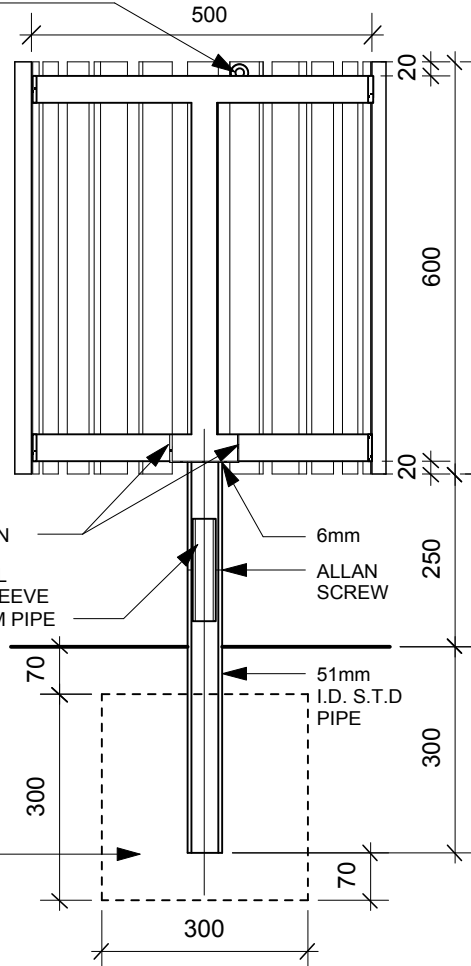


**WIRE BASKET:**

Product # 52501058

**NOTE:**

- METAL SLATS TO BE HOT DIPPED GALVANIZED
- ALL DIMENSIONS ARE IN MILLIMETERS, EXCEPT WHERE NOTED.



**CROSS SECTION**

CONCRETE BASE

**Metal Slat WR:** Product # 52501062

DIMENSIONS SHOWN ARE IN MILLIMETRES UNLESS OTHERWISE SPECIFIED

DATE: August 30, 2002  
 SCALE: N.T.S.  
 DRAWN BY: SV/VC

The City of Winnipeg  
 Planning, Property and Development Department  
 Planning and Land Use Division  
 Unit 15 - 30 Fort Street, Winnipeg, MB, R3C 4X5

