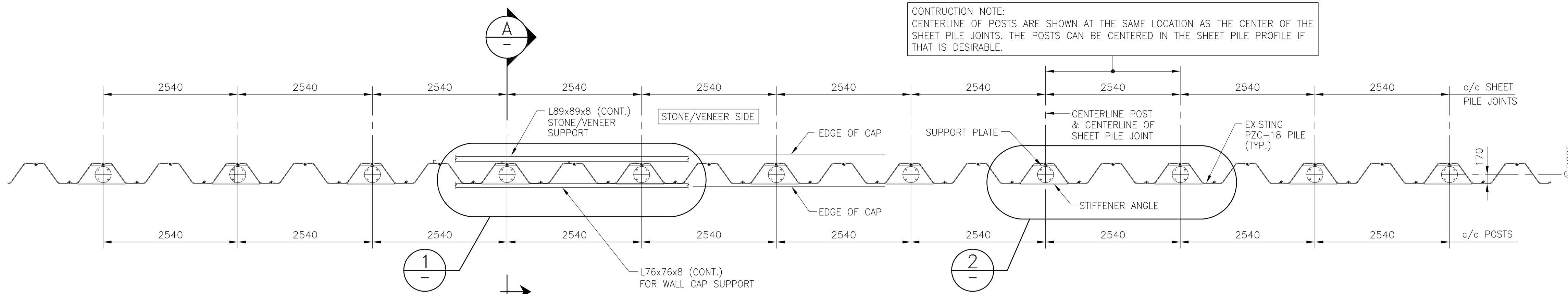


**NOTES:**

STRUCTURAL AND MISCELLANEOUS STEEL

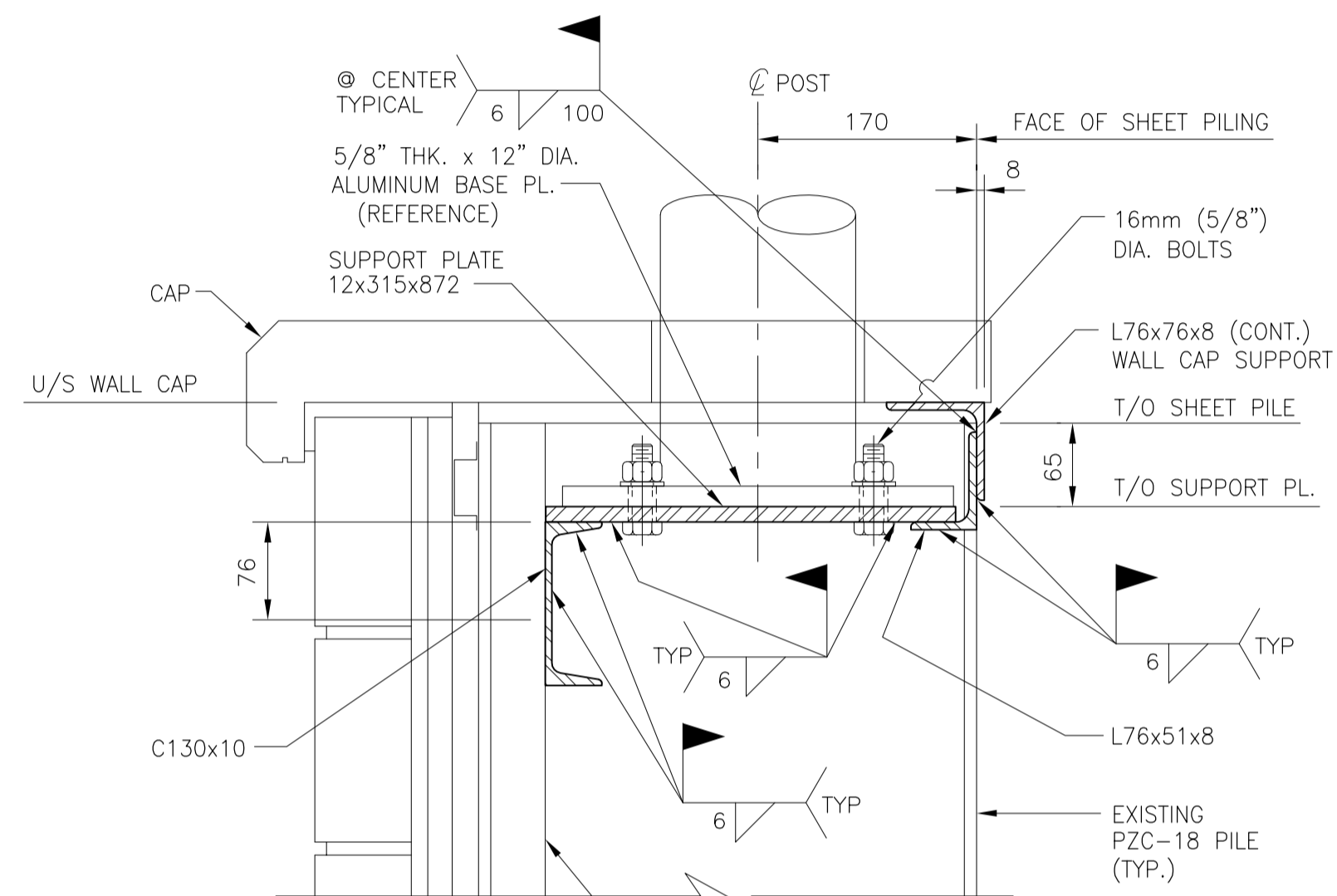
- STRUCTURAL AND MISCELLANEOUS STEEL FABRICATION AND ERECTION SHALL BE IN ACCORDANCE WITH CAN/CSA-S16.1-M89.
- STRUCTURAL STEEL SHALL MEET THE REQUIREMENTS OF CAN/CSA-G40.20/G40.21-M92.  
 ROLLED SHAPES & PLATES.....CSA G40.21-300W  
 HSS SECTIONS.....CSA G40.21-350W  
 WELDING ELECTRODES.....CSA W48.1 M1980
- WELDING SHALL BE IN ACCORDANCE WITH CSA W59-M1989, BY WELDERS CERTIFIED AND QUALIFIED IN ACCORDANCE WITH CSA W47.1-1983. ALL WELDS TO BE 6MM (1/4") UNLESS NOTED OTHERWISE.
- STRUCTURAL AND MISCELLANEOUS STEEL IS TO BE HOT-DIPPED GALVANIZED TO MEET THE REQUIREMENTS OF CAN/CSA G164-M92. APPLY GALVACON OR APPROVED COATING TO ALL WELDS AND BARE METAL THAT HAVE BEEN EXPOSED DURING CONSTRUCTION.

CONSTRUCTION NOTE:  
 CENTERLINE OF POSTS ARE SHOWN AT THE SAME LOCATION AS THE CENTER OF THE SHEET PILE JOINTS. THE POSTS CAN BE CENTERED IN THE SHEET PILE PROFILE IF THAT IS DESIRABLE.



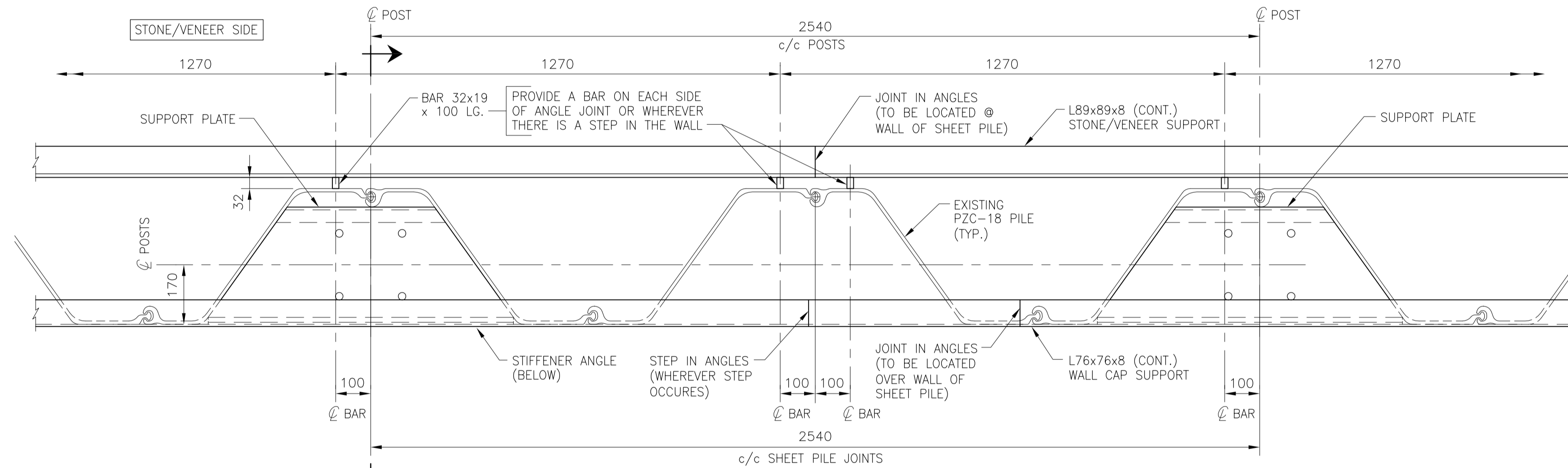
**LOCATION PLAN - CANOPY POSTS**

SCALE: 1:50



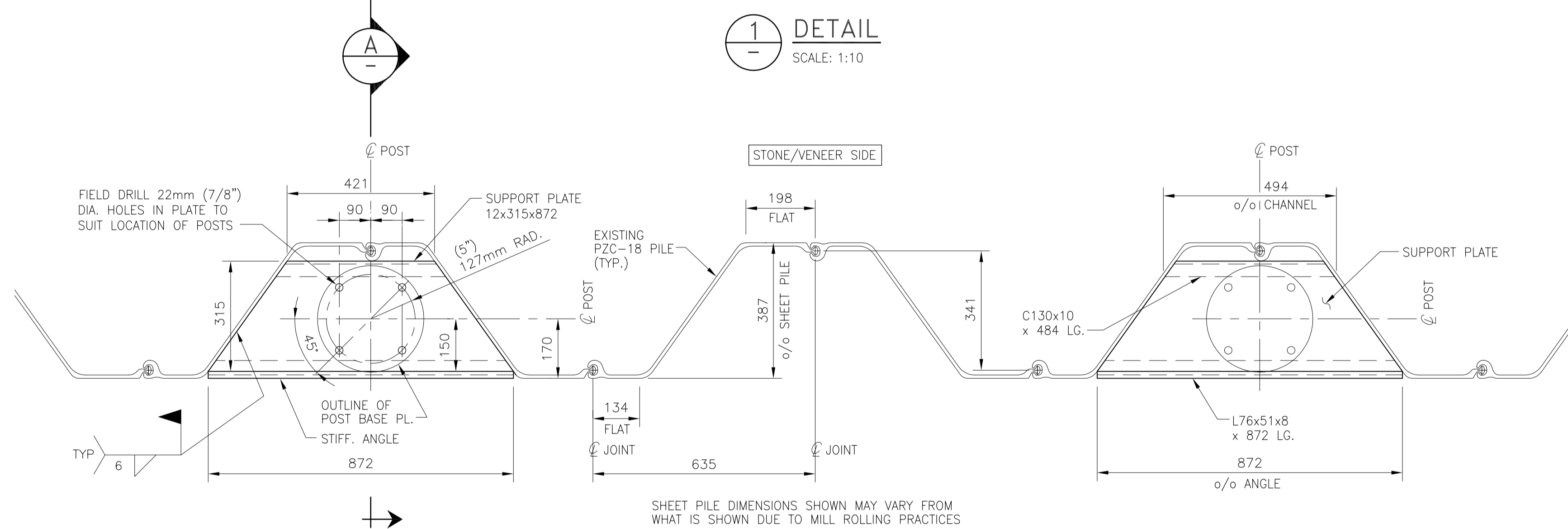
**A SECTION**

SCALE: 1:5



**1 DETAIL**

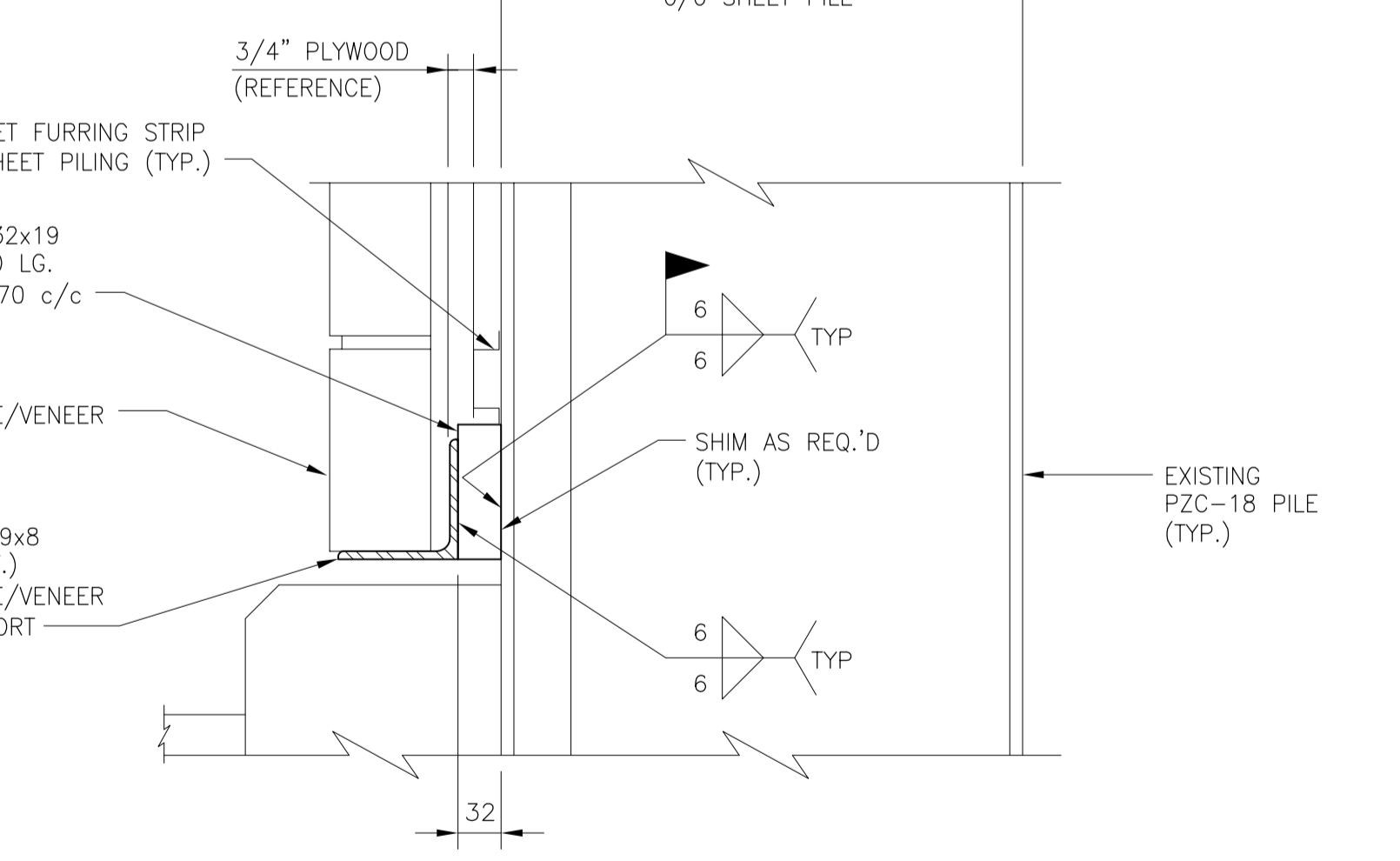
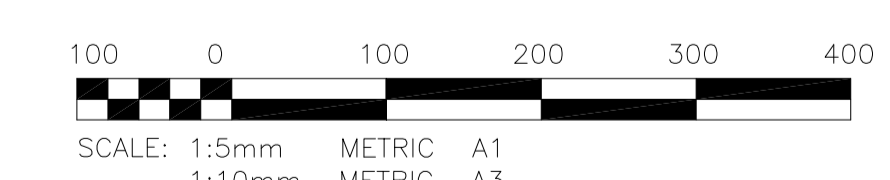
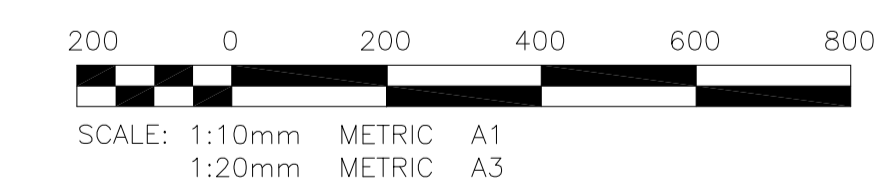
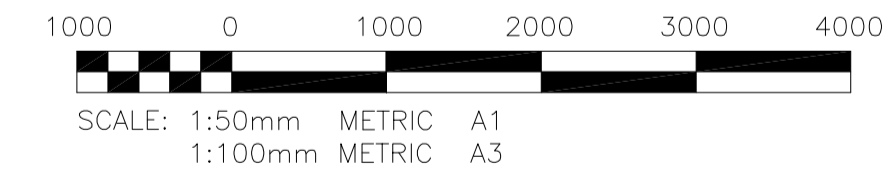
SCALE: 1:10



**2 DETAIL**

SCALE: 1:10

NOTE:  
 ALL STRUCTURAL AND MISCELLANEOUS STEEL SHOWN ON THIS DRAWING IS TO BE GALVANIZED.



**POST SUPPORT PLATE**

**STIFFENER ANGLE AND CHANNEL FOR SUPPORT PLATE**

LOCATION UNDERGROUND	APPROVED STRUCTURES	B.M. ELEV.	BM ELEV.	DESIGNED BY	RJL
SUPV. U/G STRUCTURES COMMITTEE	DATE			DRAWN BY	JF
				CHECKED BY	-
				APPROVED BY	-
				HOR. SCALE	AS NOTED
				VERTICAL	
				DATE	2011-04-15

NO.	REVISIONS	DATE	BY
1	ISSUED FOR TENDER	11/04/20	RJL

DESIGNED BY: RJL  
 DRAWN BY: JF  
 CHECKED BY: -  
 APPROVED BY: -  
 HOR. SCALE: AS NOTED  
 VERTICAL: -  
 DATE: 2011-04-15

**KGS GROUP CONSULTING ENGINEERS**

**DILLON CONSULTING**

RELEASED FOR CONSTRUCTION ORIGINAL SIGNED BY RANDY FINGAS  
 DATE: 2011-04-20

LANDSCAPE ARCHITECT'S SEAL

**R.J. LONG**  
 REGISTERED PROFESSIONAL ENGINEER

CONSULTANT PROJECT NO.  
 11-0163-01

**THE CITY OF WINNIPEG TRANSIT DEPARTMENT**

**Winnipeg**

SOUTHWEST RAPID TRANSIT CORRIDOR - STAGE 1  
 STATION CONSTRUCTION, WARSAW RECONSTRUCTION, & ASSOCIATED WORKS

CITY DRAWING NUMBER: P-3325 - 25  
 SHEET OF: 25 OF 28  
 CONSULTANT DRAWING NUMBER: C7-L-5014-T

HARKNESS RETAINING WALL  
 CANOPY POST ATTACHMENTS AND DETAILS

**APEGM**  
 Certificate of Authorization  
 KGS Group  
 No. 245 Date: -

NOTE:  
 LOCATION OF UNDERGROUND STRUCTURES AS SHOWN ARE BASED ON THE BEST INFORMATION AVAILABLE. BUT NO GUARANTEE IS GIVEN THAT ALL EXISTING UTILITIES ARE SHOWN OR THAT THE GIVEN LOCATIONS ARE EXACT. CONFIRMATION OF EXISTENCE AND EXACT LOCATION OF ALL SERVICES MUST BE OBTAINED FROM THE INDIVIDUAL UTILITIES BEFORE PROCEEDING WITH CONSTRUCTION.

P:\Projects\2011\11-0163-01\Struct\Working Drawings\11-0163-01\_25-r1.dwg