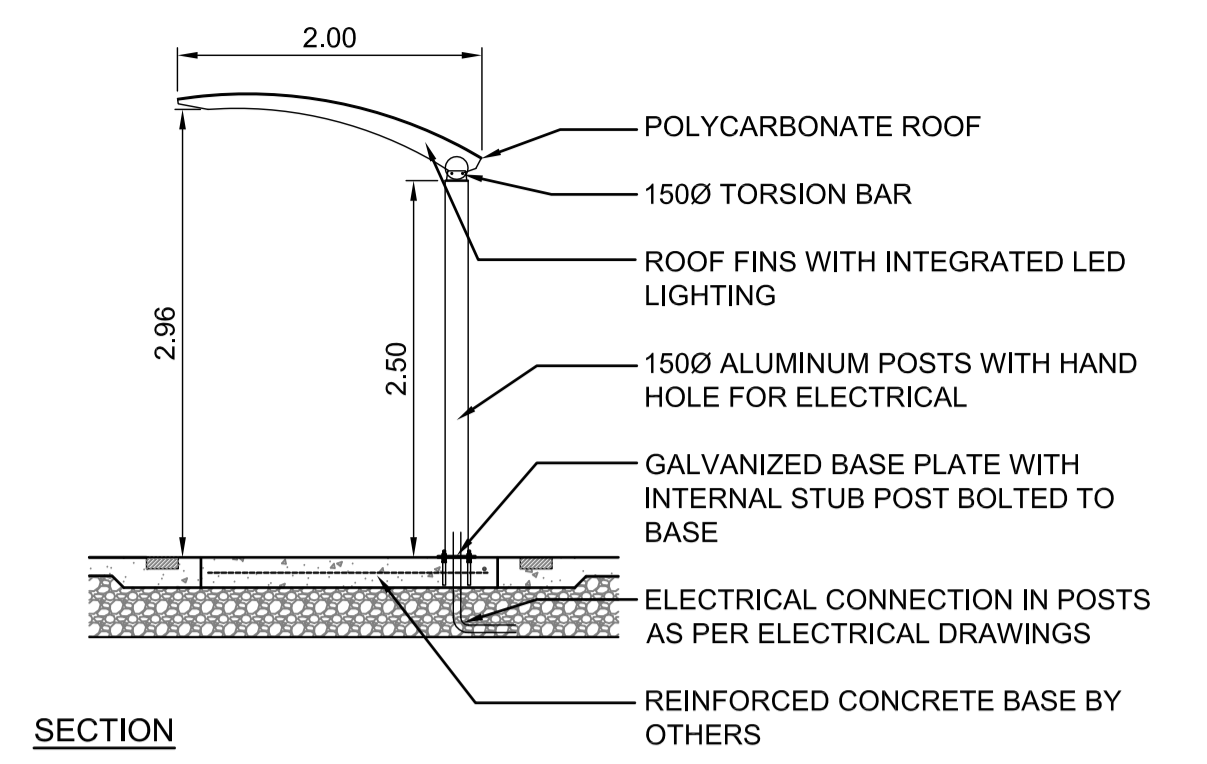
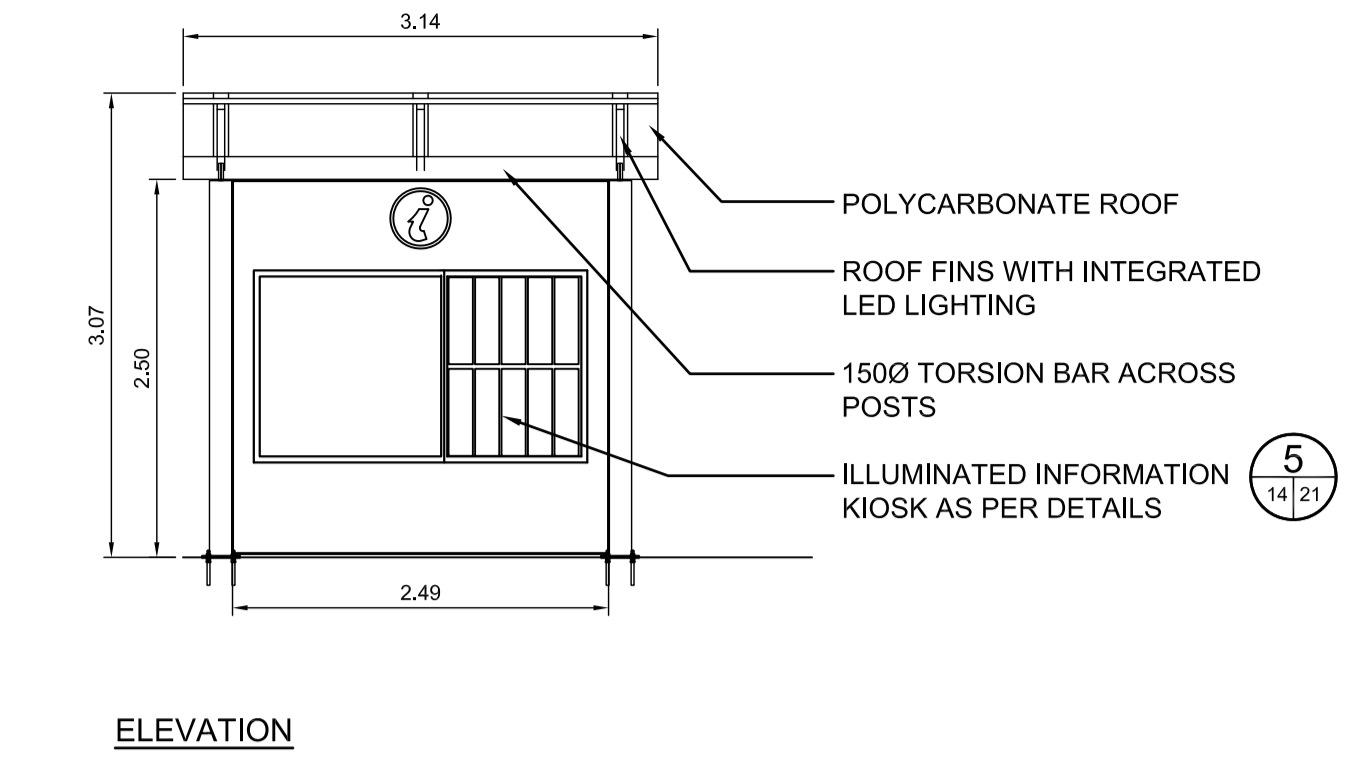


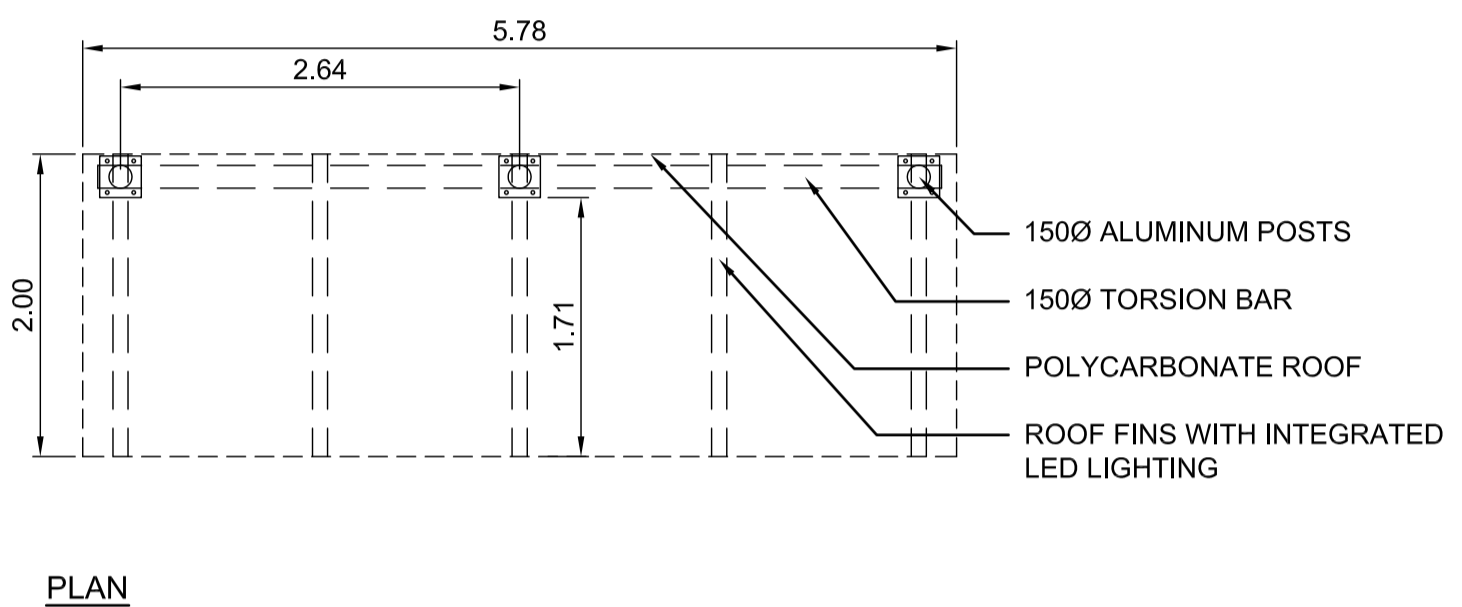
PLAN
SINGLE BAY LOW CANOPY WITH INFORMATION KIOSK 1
 N.T.S. 14/19



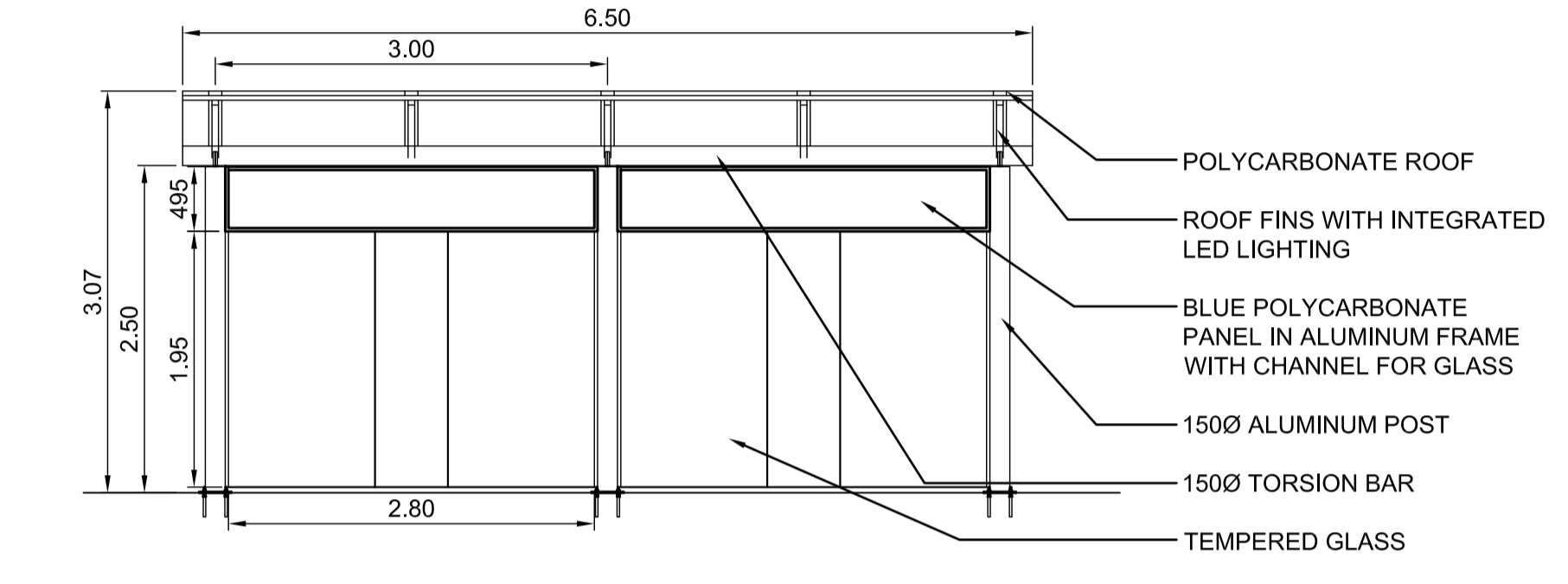
SECTION



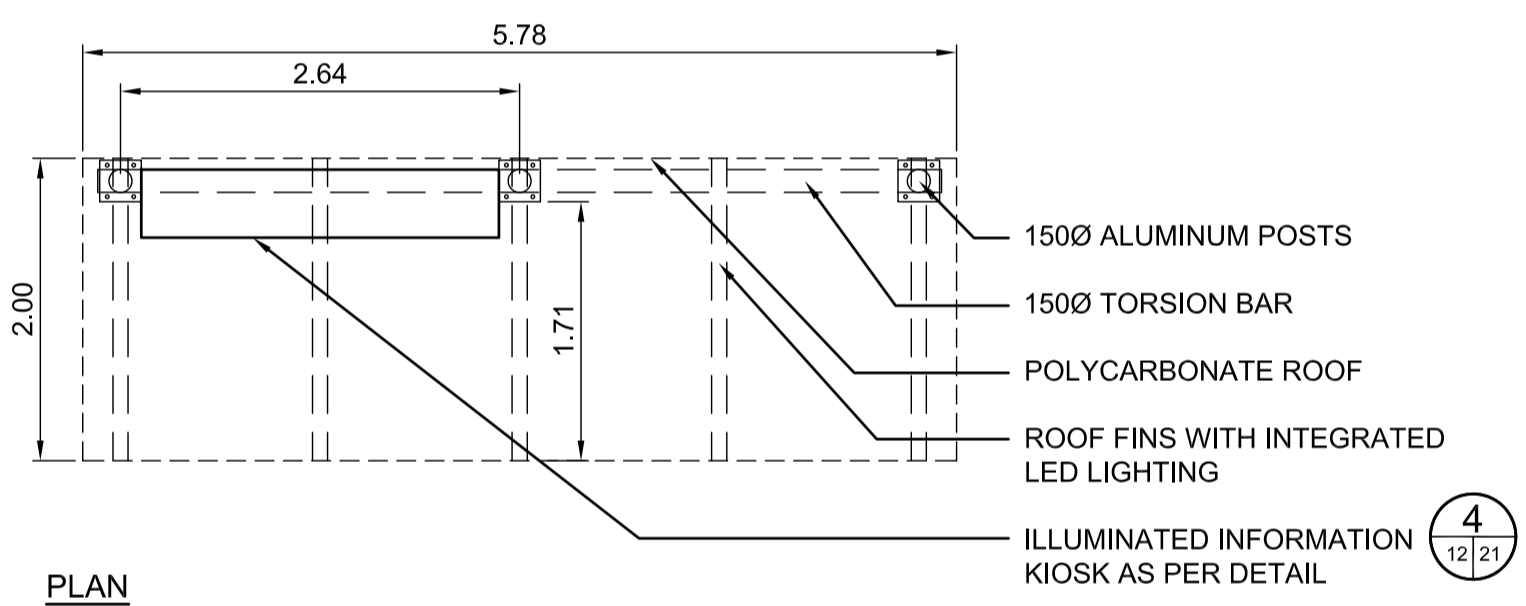
ELEVATION



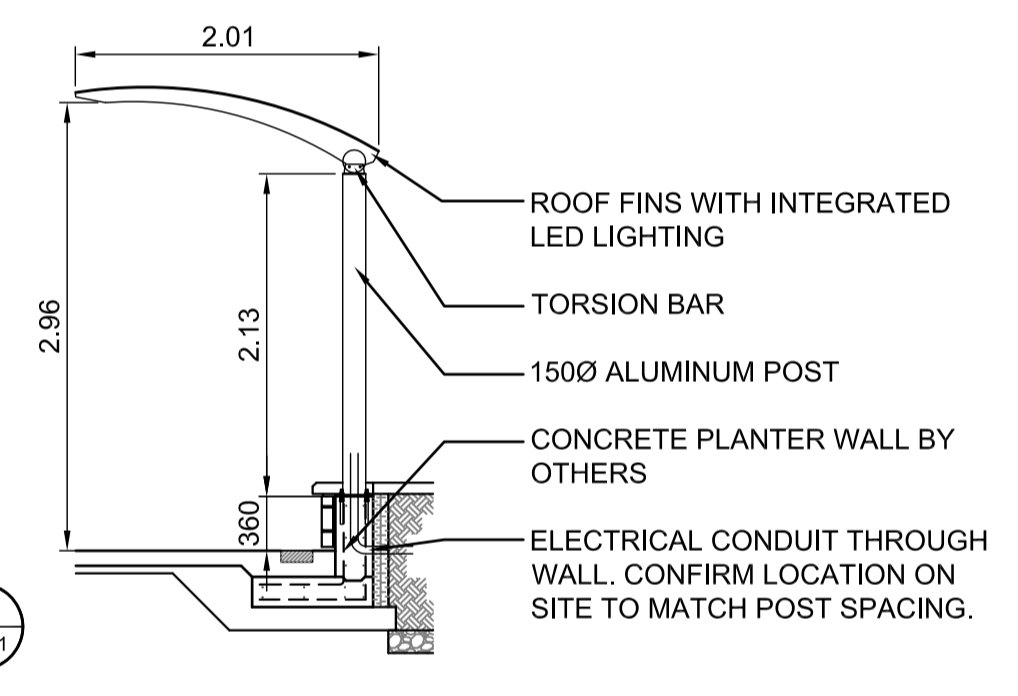
PLAN
SURFACE MOUNT LOW CANOPY 2
 N.T.S. 14/19



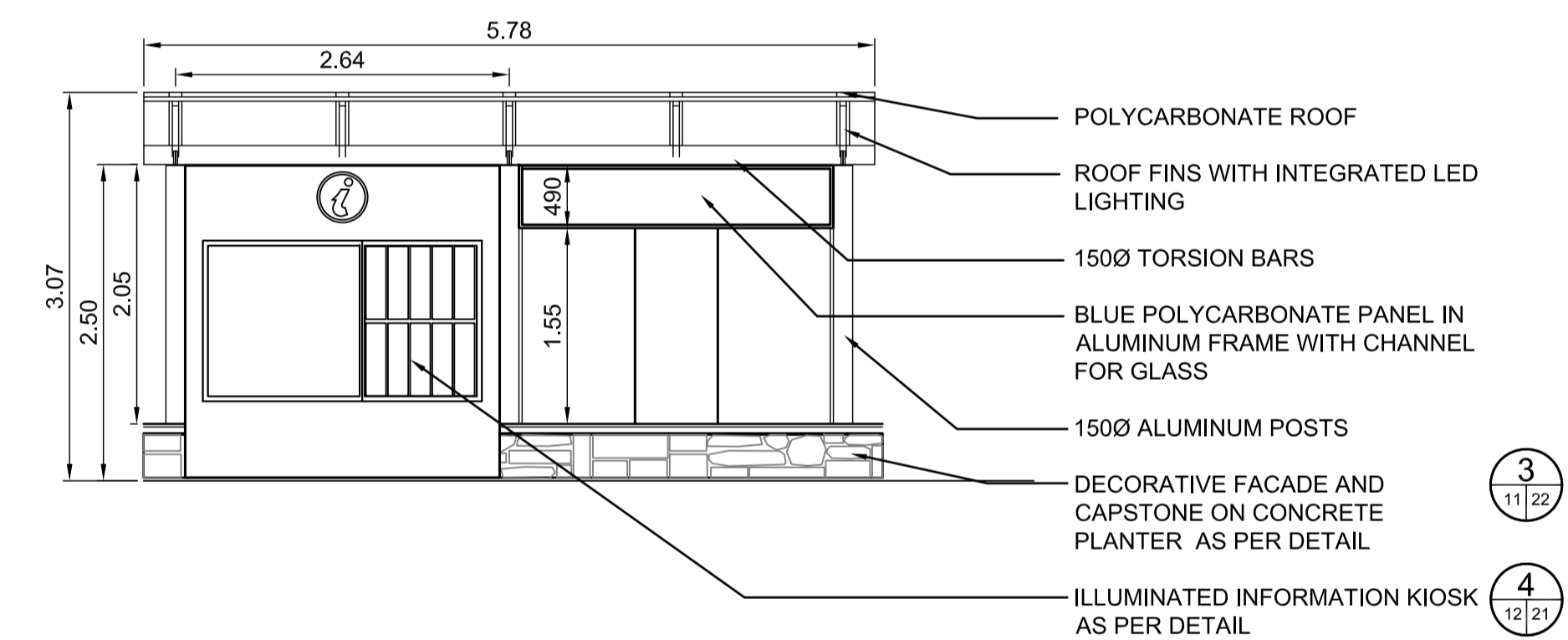
ELEVATION



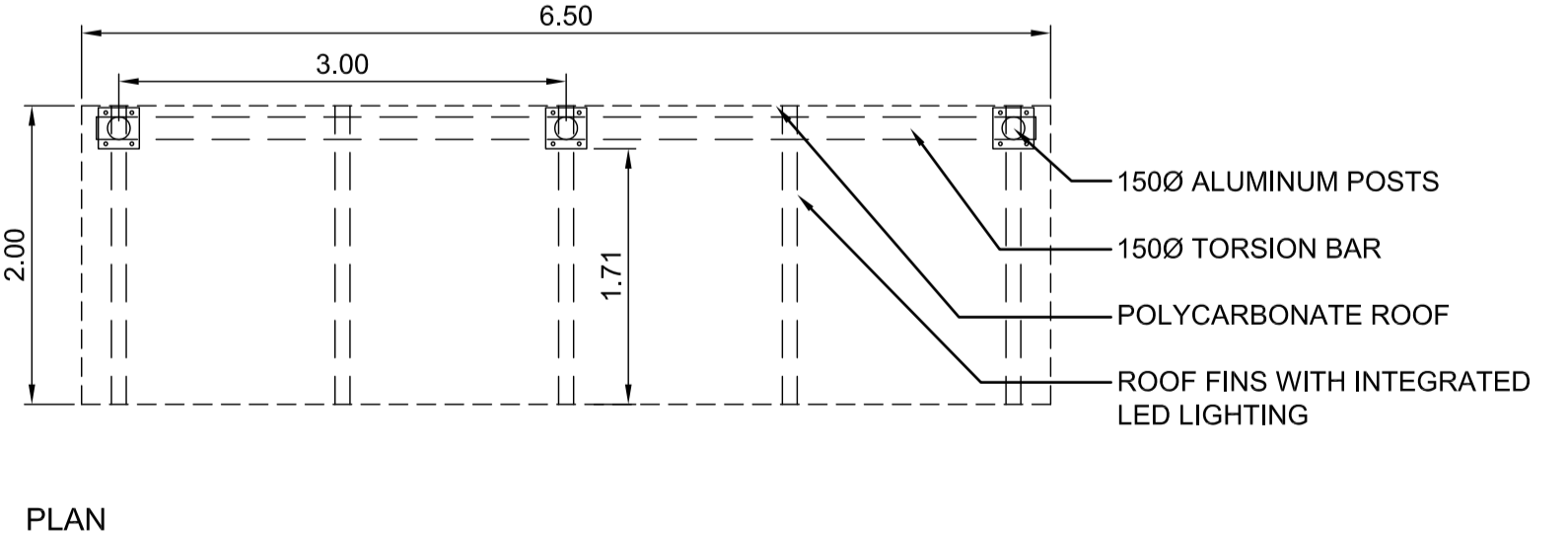
PLAN
WALL MOUNTED LOW CANOPY WITH INFORMATION KIOSK 3
 N.T.S. 12/19



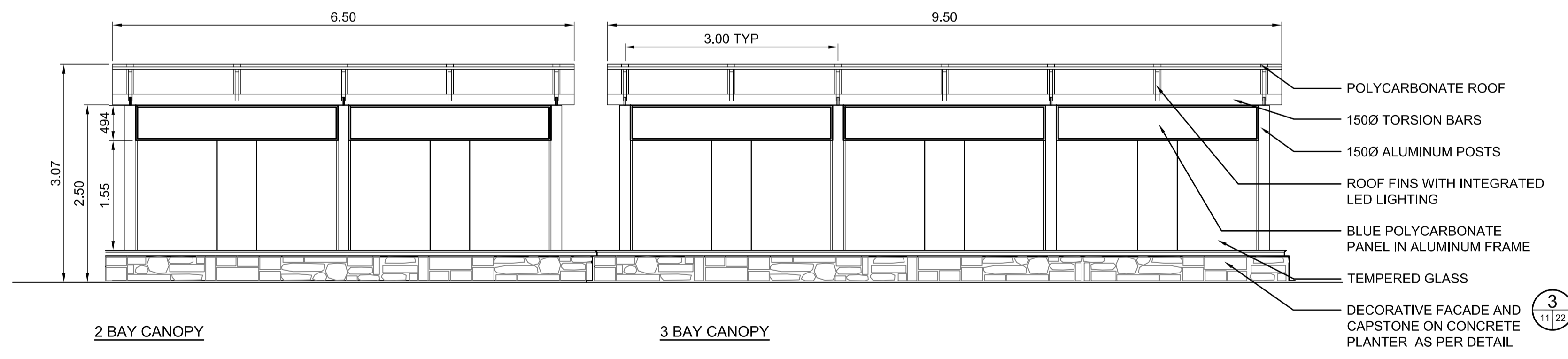
SECTION



ELEVATION



PLAN
WALL MOUNTED LOW CANOPY 4
 N.T.S. 12/19



2 BAY CANOPY **3 BAY CANOPY**

CONTRACTOR TO SUPPLY SHOP DRAWINGS STAMPED BY A STRUCTURAL ENGINEER LICENSED TO PRACTICE IN THE PROVINCE OF MANITOBA. SHOP DRAWINGS TO INCLUDE WALL THICKNESSES, MATERIALS, ETC. AS LISTED IN THE SPECIFICATIONS

REFER TO ELECTRICAL DRAWINGS FOR ALL WIRING CONNECTIONS TO ALL SIGNS, CANOPIES AND STRUCTURES.

ALL DIMENSIONS PROVIDED FOR INFORMATION ON DESIGN EXTENT.

LOCATION UNDERGROUND <input checked="" type="checkbox"/>	APPROVED STRUCTURES <input checked="" type="checkbox"/>	B.M. ELEV. B.M. ELEV.	DESIGNED BY SR/JW		LANDSCAPE ARCHITECT'S SEAL 		THE CITY OF WINNIPEG TRANSIT DEPARTMENT	CITY DRAWING NUMBER P-3325-19	
SUPV. U/G STRUCTURES COMMITTEE <input checked="" type="checkbox"/>	DATE	DRAWN BY JW/MH	CHECKED BY JW/SR					APPROVED BY -	HON. SCALE -
NOTE: LOCATION OF UNDERGROUND STRUCTURES AS SHOWN ARE BASED ON THE BEST INFORMATION AVAILABLE. BUT NO GUARANTEE IS GIVEN THAT ALL EXISTING UTILITIES ARE SHOWN OR THAT THE GIVEN LOCATIONS ARE EXACT. CONFIRMATION OF EXISTENCE AND EXACT LOCATION OF ALL SERVICES MUST BE OBTAINED FROM THE INDIVIDUAL UTILITIES BEFORE PROCEEDING WITH CONSTRUCTION.			1 ISSUED FOR TENDER DATE: 20/04/11 BY: JW	VERTICAL DATE: 2011-04-20	DATE: APRIL 20, 2011	LOW CANOPIES		CONSULTANT DRAWING NUMBER C7-L-5008-T	

X:\08-028_Southwestern_BRT_Corridor\dwg\2010\Contract_7\TENDER_SET\shelters_2011-04-11.dwg