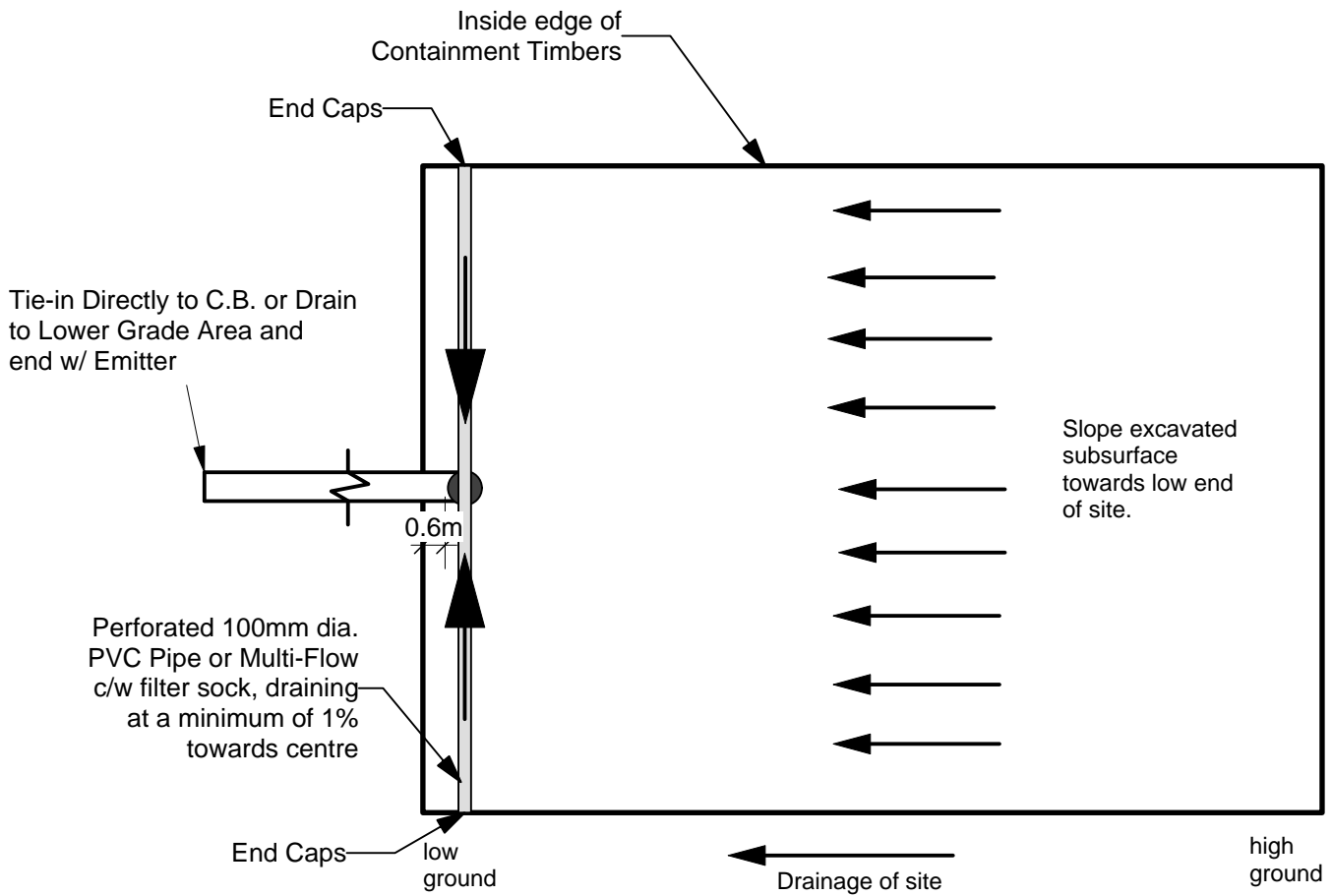
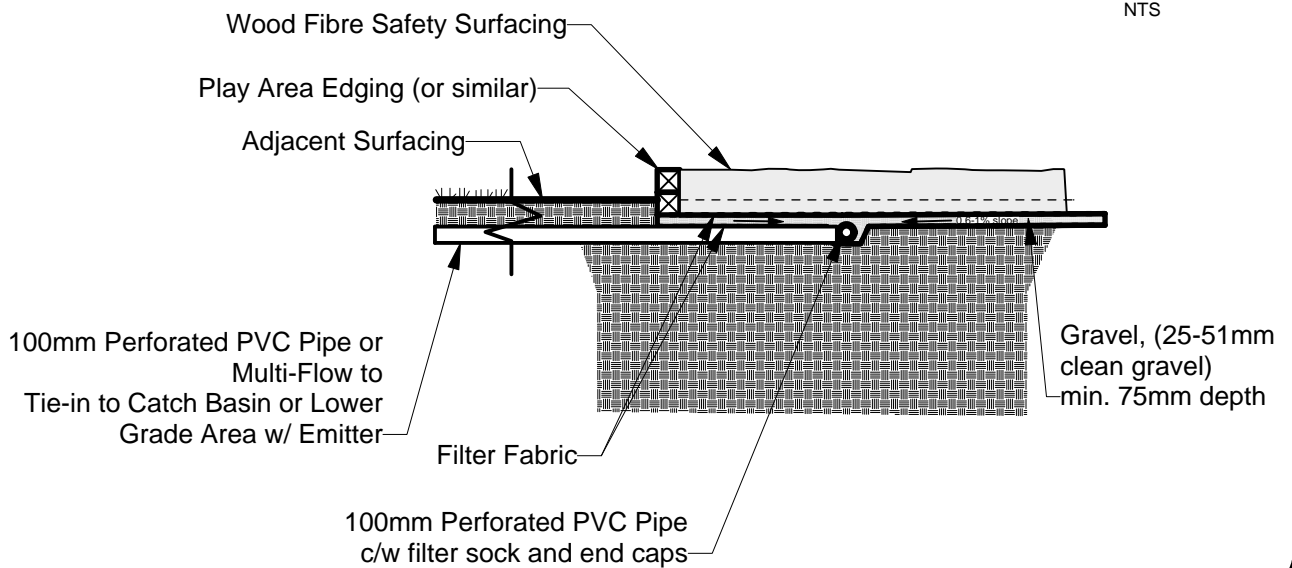


Wood Fibre Safety Surfacing Drainage Diagram

SCD 650a



Plan
NTS



Section
NTS

Drawn By: SP

Date: Jan 2009

THE CITY OF WINNIPEG
 Planning, Property and Development Department
 Planning and Land Use Division
 Unit 15 - 10 Fort Street, Winnipeg, MB, R3C 4X5

