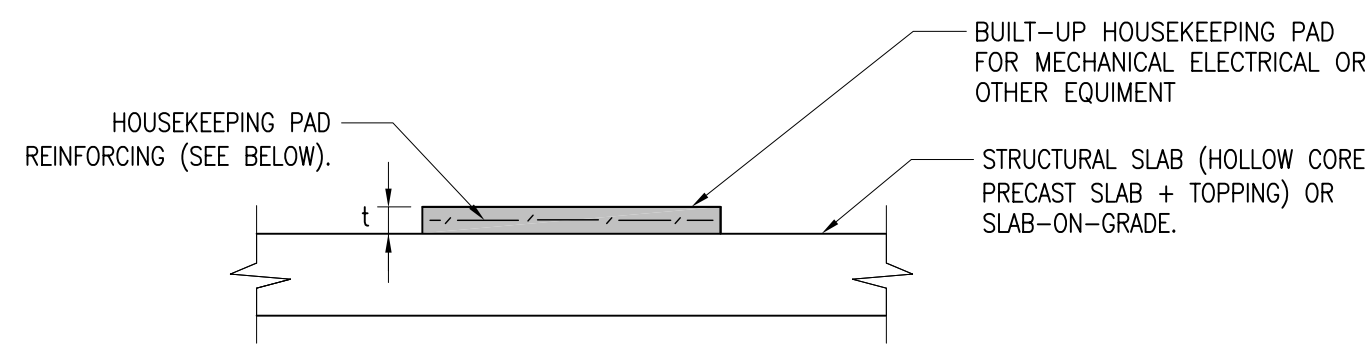


3.29 TYPICAL MASONRY WALL ANCHORAGE TO CONCRETE

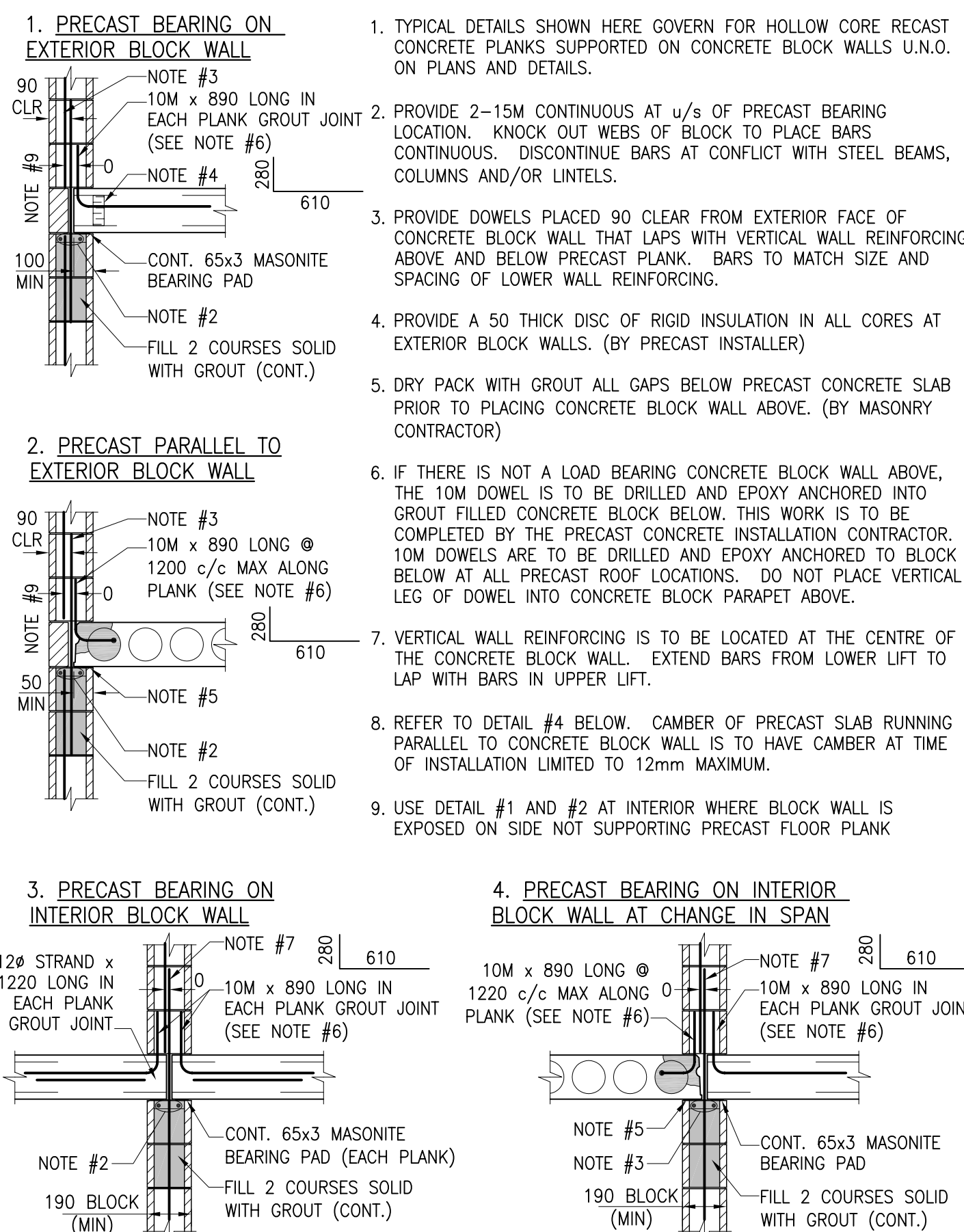


NOTES:

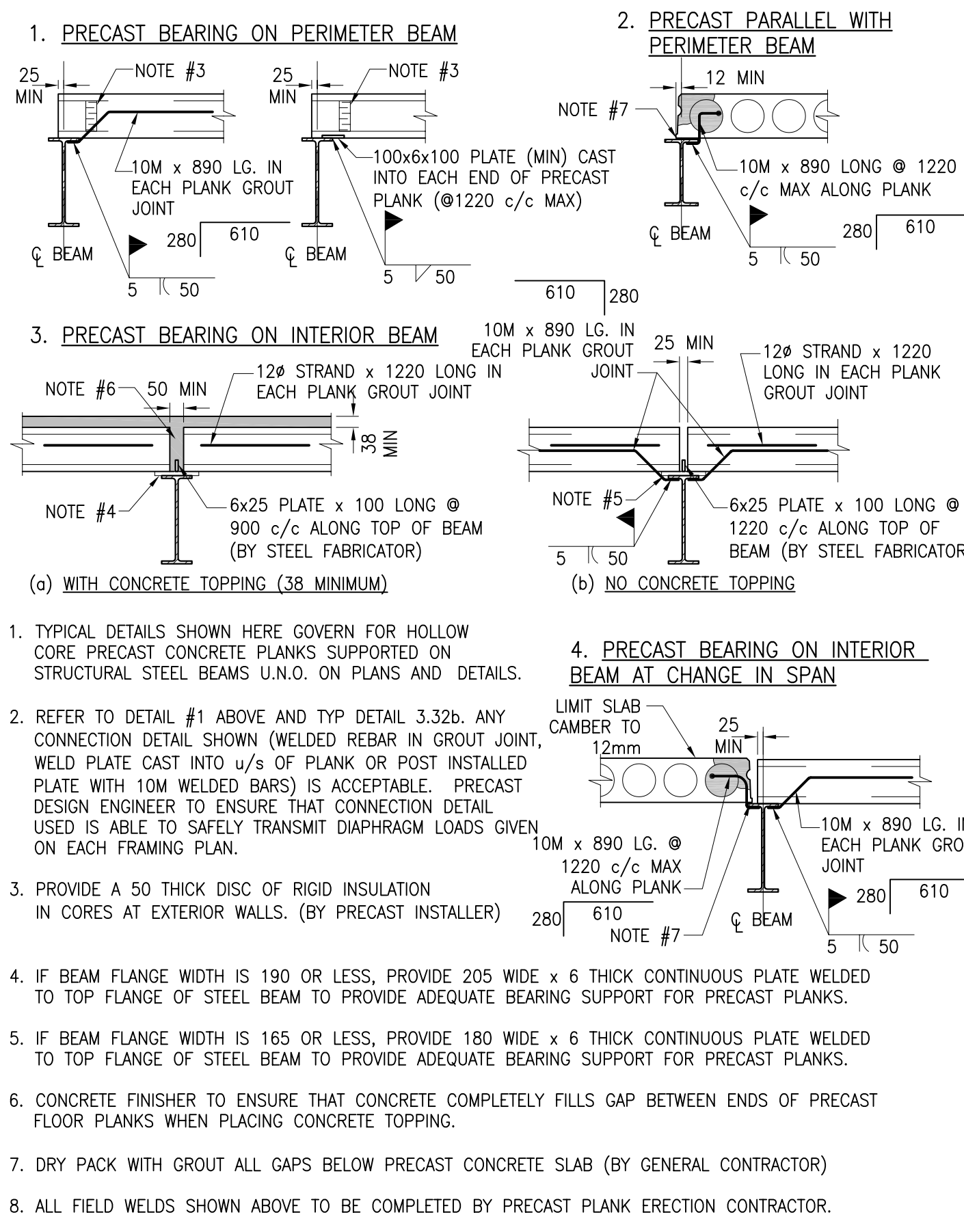
- CONSULT WITH MECHANICAL DRAWINGS FOR SIZE AND LOCATIONS OF ALL REQUIRED HOUSEKEEPING PADS.
- PROVIDE REINFORCEMENT IN HOUSEKEEPING PADS AS FOLLOWS:

PAD THICKNESS " (mm)	REINFORCEMENT
100	152x152 MW18.7xMW18.7 WWF ONE LAYER 10M @ 300 MIDDLE EACH WAY
150	

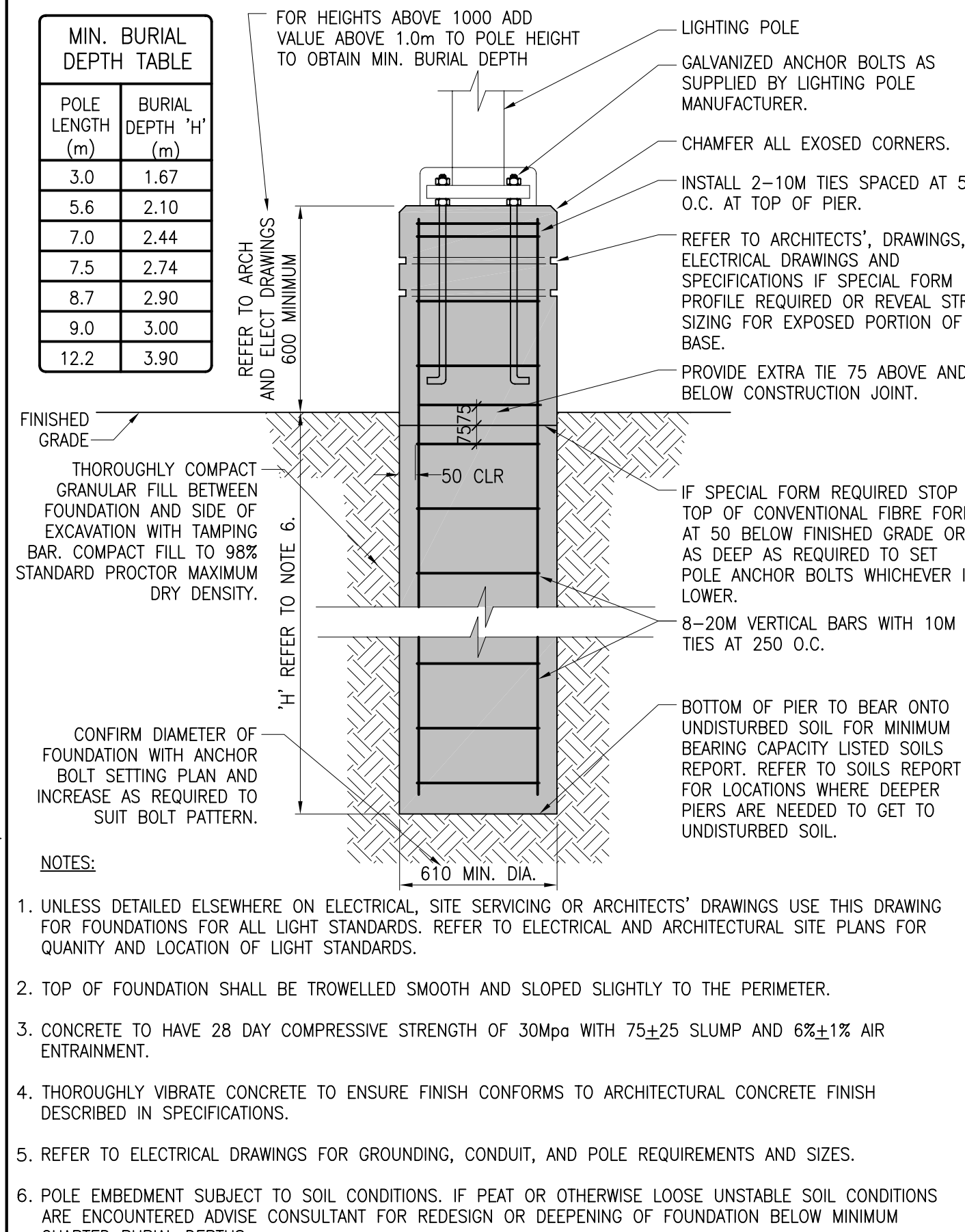
3.33 EQUIPMENT HOUSEKEEPING PADS



3.31 HOLLOW CORE PRECAST FLOOR PLANKS SUPPORTED ON CONCRETE BLOCK WALLS OR CAST-IN-PLACE CONCRETE

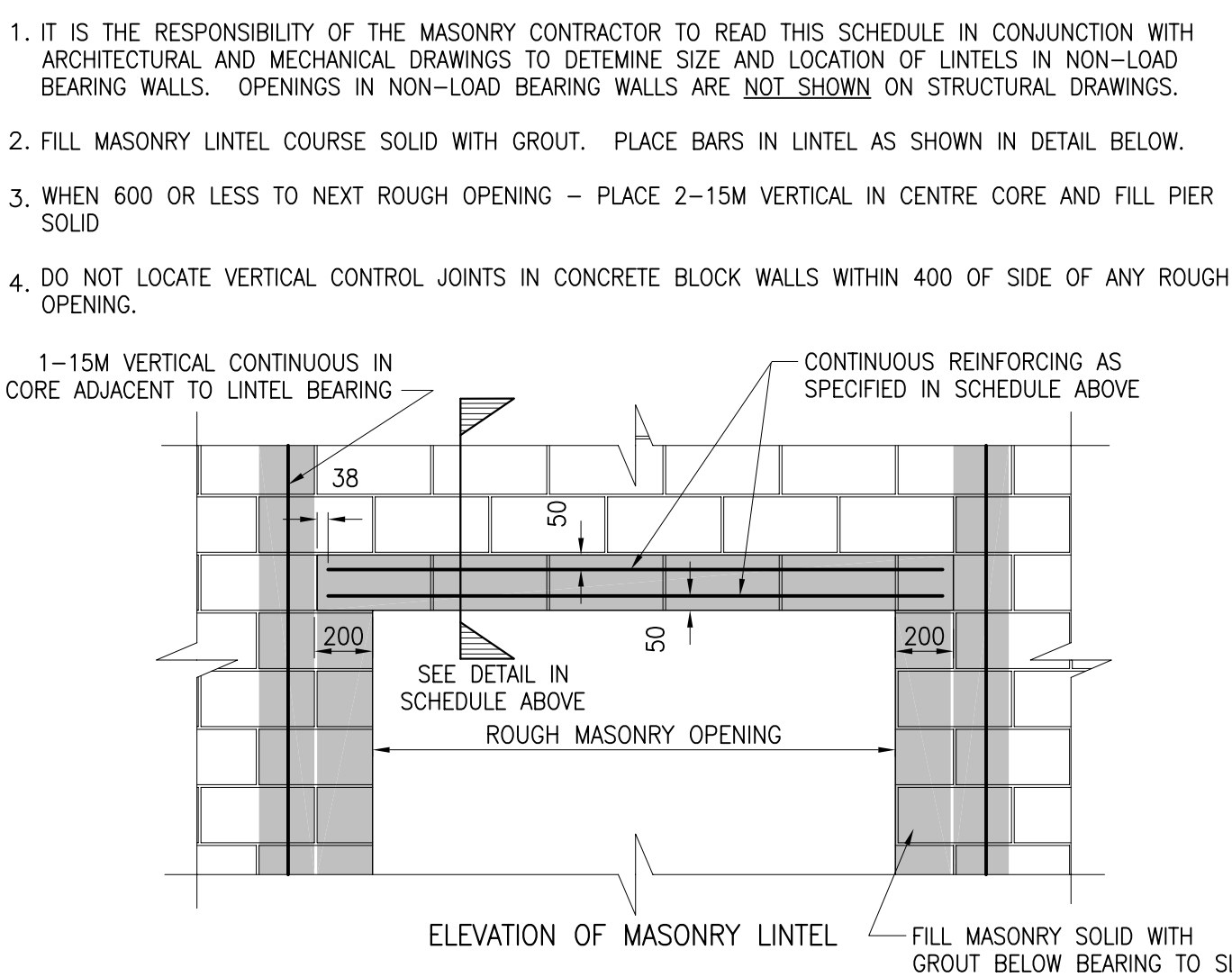


3.32 HOLLOW CORE PRECAST FLOOR PLANKS SUPPORTED ON STEEL BEAMS

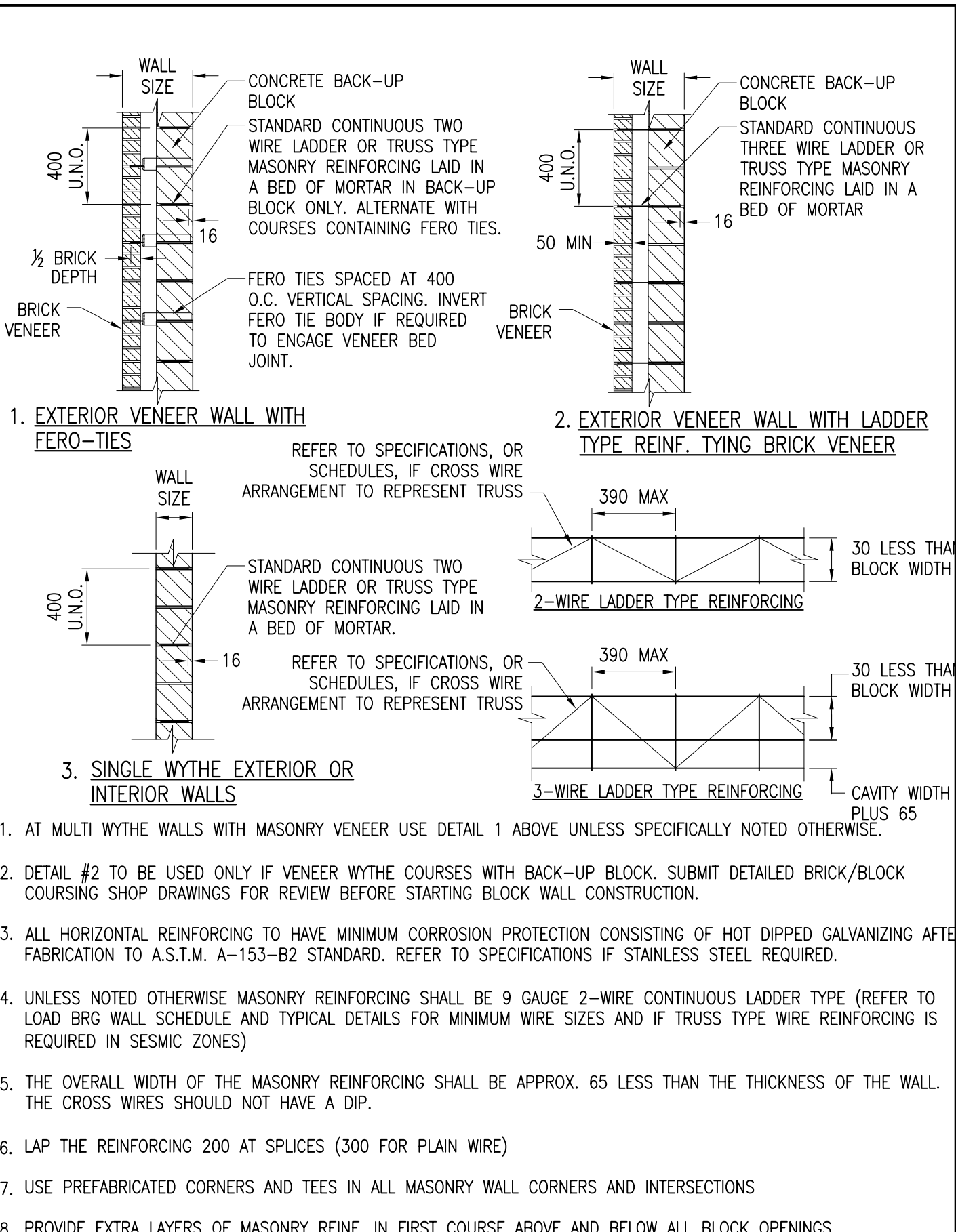


3.34 TYPICAL LIGHTING POLE BASE / FLAG POLE BASE

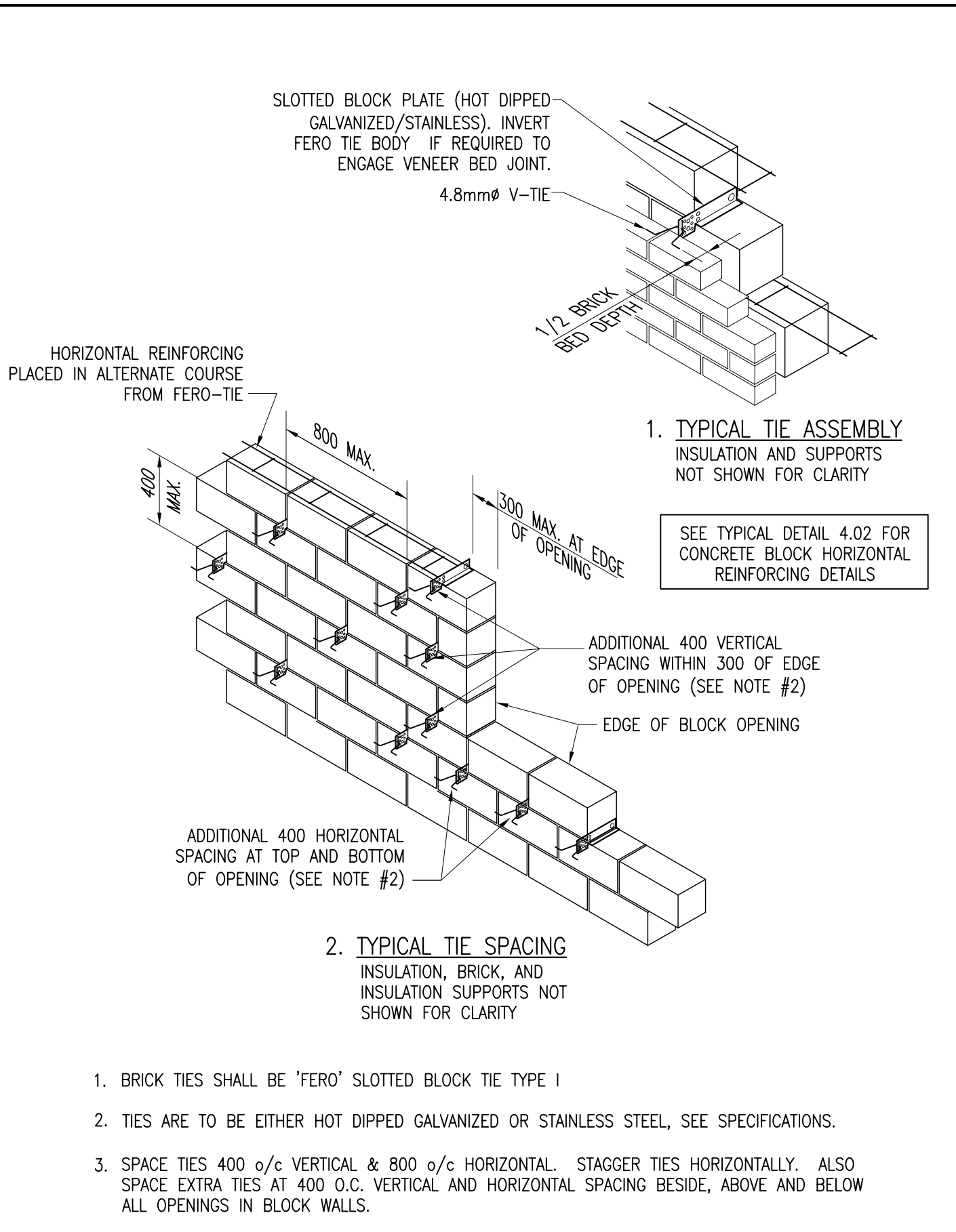
WALL THICKNESS	CLEAR SPAN OF ROUGH MASONRY OPENING				DETAIL
	UP TO 1220	1221 TO 1800	1801 TO 2360	2361 TO 3050	
90 BLOCK	200 DEEP w/ 1-10M B & 1-10M T	200 DEEP w/ 1-15M B & 1-15M T	USE STEEL LINTEL	USE STEEL LINTEL	FILL SOLID WITH MASONRY GROUT
140 BLOCK	200 DEEP w/ 1-10M B & 1-10M T	200 DEEP w/ 1-15M B & 1-15M T	200 DEEP w/ 2-15M B & 1-15M T	400 DEEP w/ 2-15M B & 2-15M T	FILL SOLID WITH MASONRY GROUT
190 BLOCK	200 DEEP w/ 1-10M B & 1-10M T	200 DEEP w/ 1-10M B & 1-10M T	200 DEEP w/ 1-15M B & 1-15M T	400 DEEP w/ 2-15M B & 1-15M T	FILL SOLID WITH MASONRY GROUT
240 BLOCK	200 DEEP w/ 2-10M B & 2-10M T	200 DEEP w/ 2-15M B & 2-10M T	200 DEEP w/ 2-15M B & 2-15M T	400 DEEP w/ 2-15M B & 2-15M T	FILL SOLID WITH MASONRY GROUT
290 BLOCK	200 DEEP w/ 2-10M B & 2-10M T	200 DEEP w/ 2-15M B & 2-10M T	200 DEEP w/ 2-15M B & 2-15M T	400 DEEP w/ 3-15M B & 2-15M T	FILL SOLID WITH MASONRY GROUT



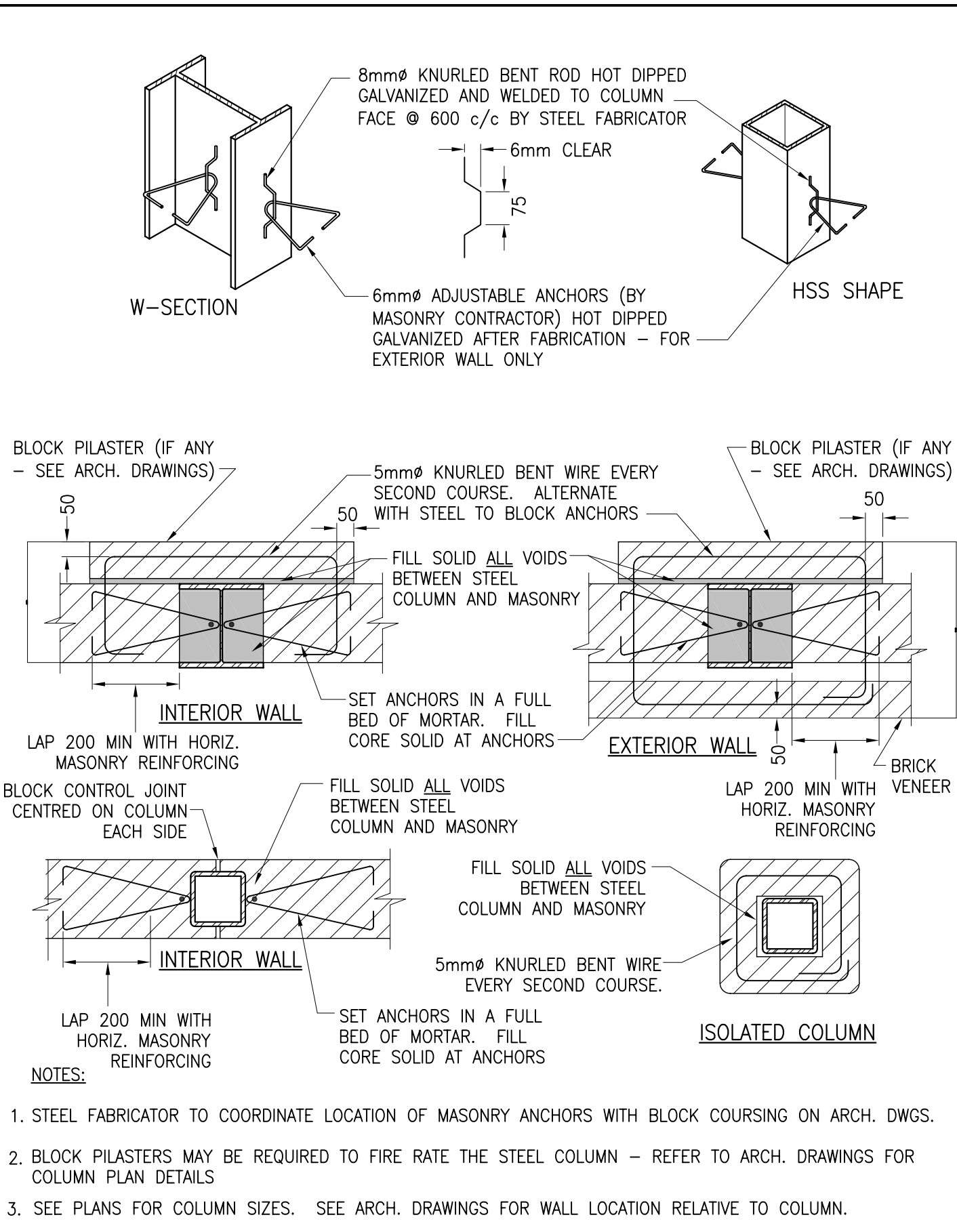
4.01 CONCRETE BLOCK LINTELS FOR NON-LOAD BEARING CONCRETE BLOCK WALLS



4.02 TYPICAL CONTINUOUS HORIZONTAL REINFORCING IN ALL MASONRY WALLS



4.04 FERRO BRICK TIE DETAILS



4.05 MASONRY ANCHORAGE TO STEEL COLUMNS

NO.	DATE	ISSUES:
1	SEP. 24, 2010	ISSUED FOR TENDER
2	DEC. 16, 2010	ISSUED FOR CONSTRUCTION

© COPYRIGHT MURPHY & MURPHY ARCHITECT 2009
NOT TO BE REPRODUCED WITHOUT CONSENT OF ARCHITECT.

VB&S VanBoxmeer & Stranges Ltd.
STRUCTURAL ENGINEERS
458 Queens Ave, London, ON, Canada N6A 1X9
tel. (519) 433-4661 fax. (519) 433-6420
E-mail vbands@vbands.com

MURPHY & MURPHY ARCHITECT INC.

775 WATERLOO STREET, LONDON, ONTARIO N6A 3W5
PH: (519) 433-5161 FAX: (519) 433-5163

A. Detail Number
B. Drawing Number - Where Detail Found

CONTRACTOR SHALL CHECK ALL DIMENSIONS ON THE DRAWINGS AND REPORT ANY DISCREPANCIES TO THE ARCHITECT BEFORE PROCEEDING. ALL DRAWINGS AND SPECIFICATIONS ARE PROPERTY OF THE ARCHITECT AND MUST BE RETURNED AT THE COMPLETION OF THE WORK. DRAWINGS ARE NOT TO BE SCALED. USE ONLY THE LATEST REVISED DRAWINGS OR THOSE THAT ARE MARKED "HOLD FOR CONSTRUCTION". ANY UNAUTHORIZED USE IS PROHIBITED. AREA CALCULATIONS ARE APPROXIMATE.

PROJECT NAME:

NEW WINNIPEG STATION No. 27 PROJECT

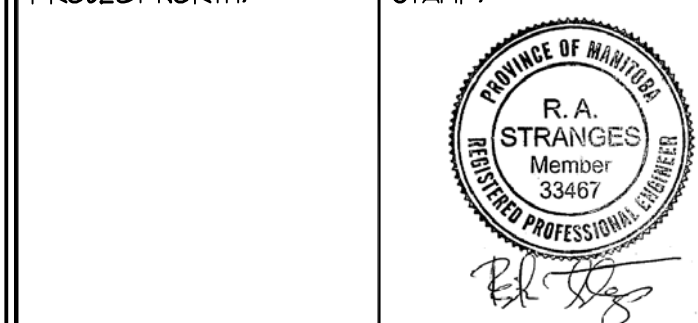
WINNIPEG, MANITOBA

DRAWING TITLE:

TYPICAL DETAILS 3 MASONRY, PRECAST PLANK & POLE BASE

PROJECT NORTH:

STAMP:



SCALE:

PROJECT NO:

DATE:

10123

ISSUED:

MAY 20 2010

DRAWN BY:

DZ

CHECKED BY:

RAS

DRAWING NO:

S3.3