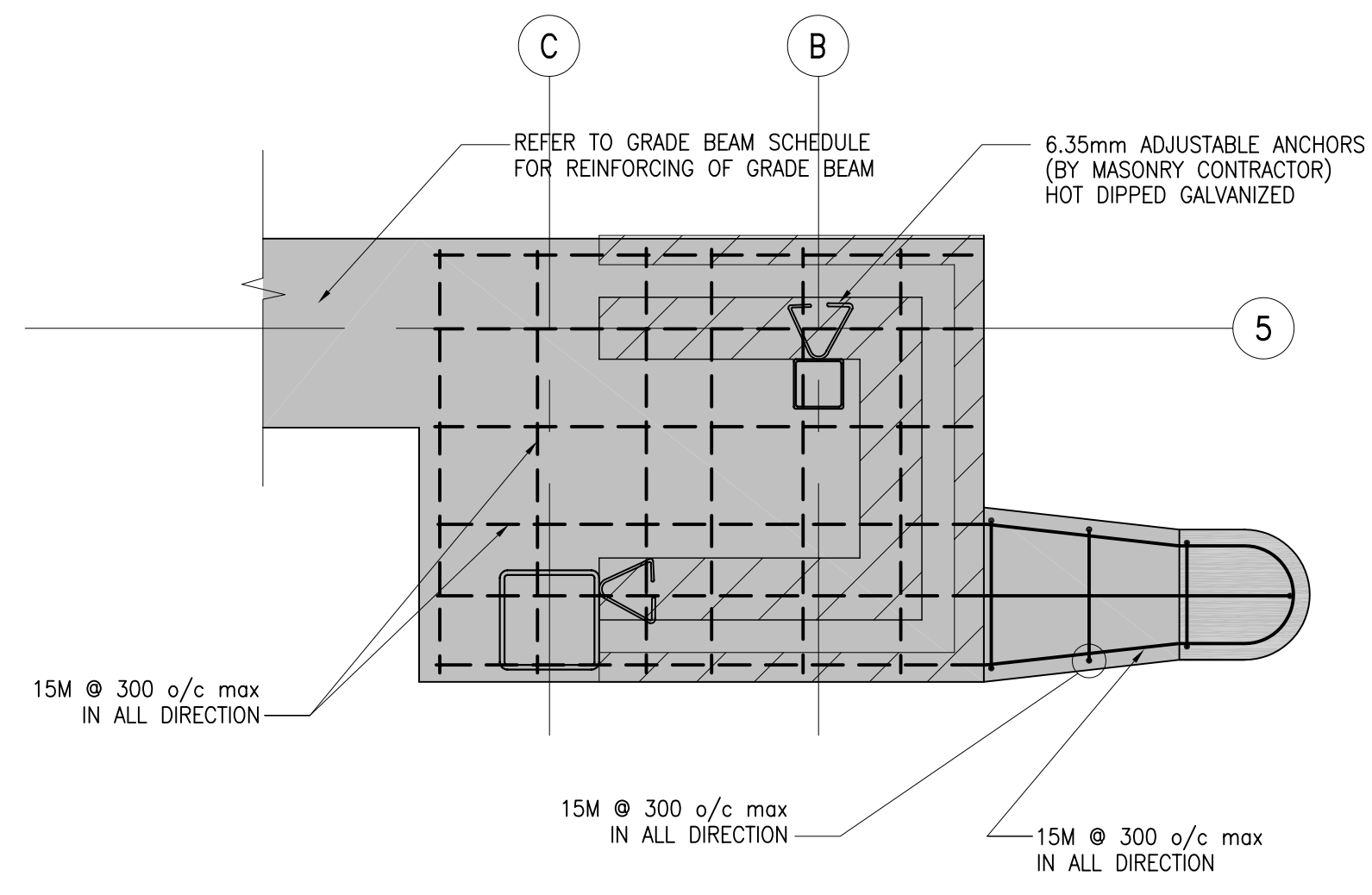
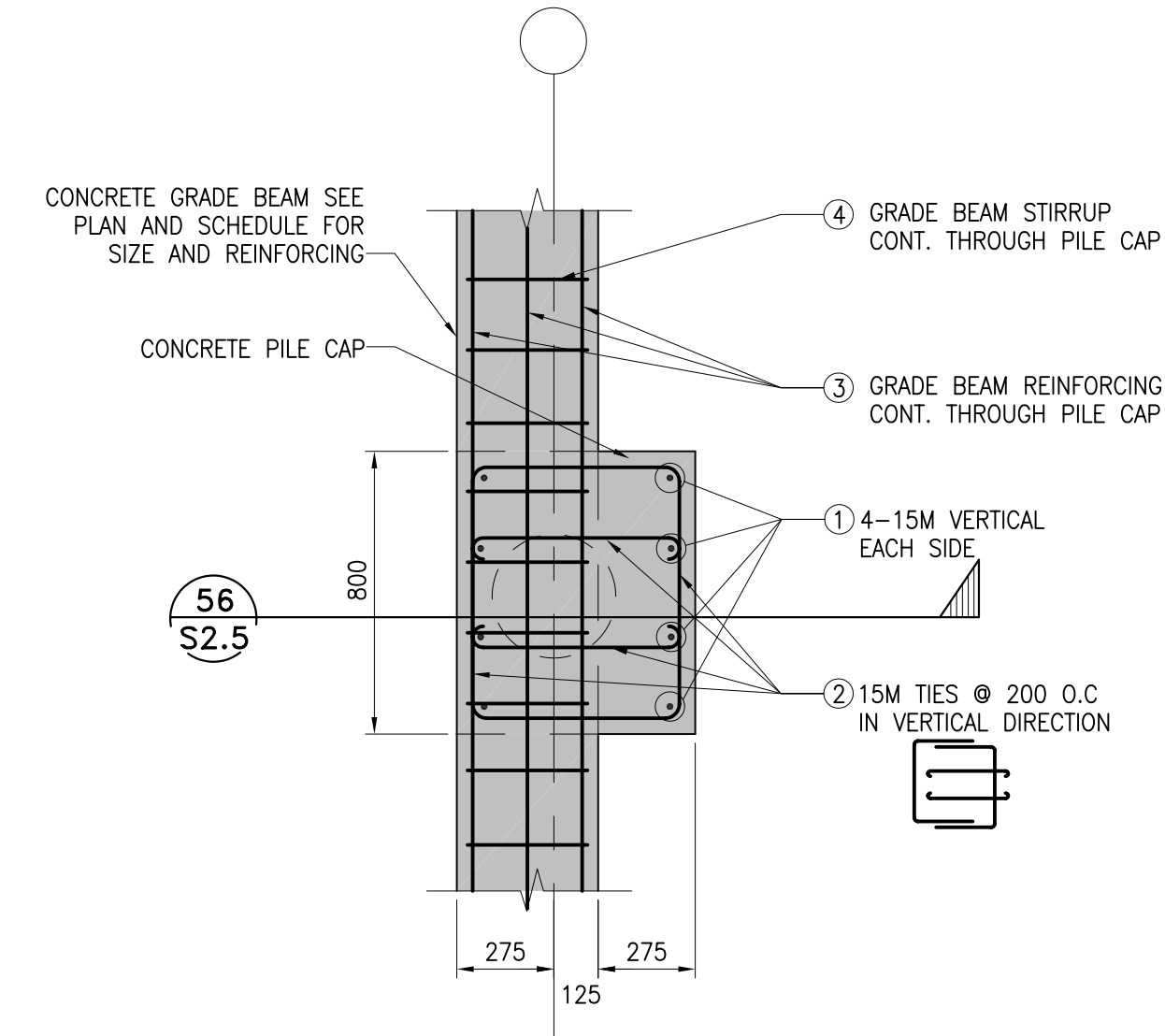


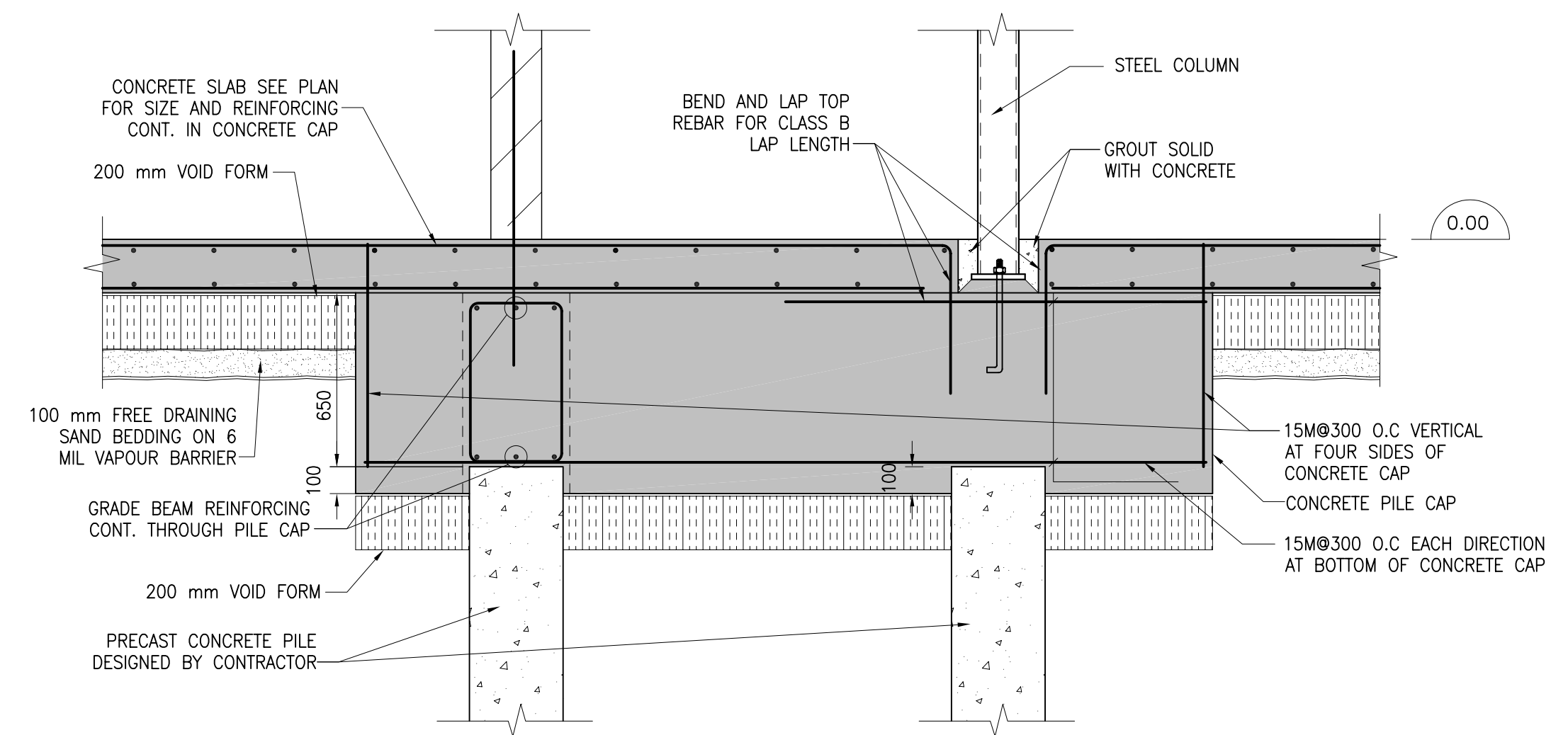
ISSUES:		
NO.	DATE	DESCRIPTION
1	SEP. 24, 2010	ISSUED FOR TENDER
2	DEC. 16, 2010	ISSUED FOR CONSTRUCTION



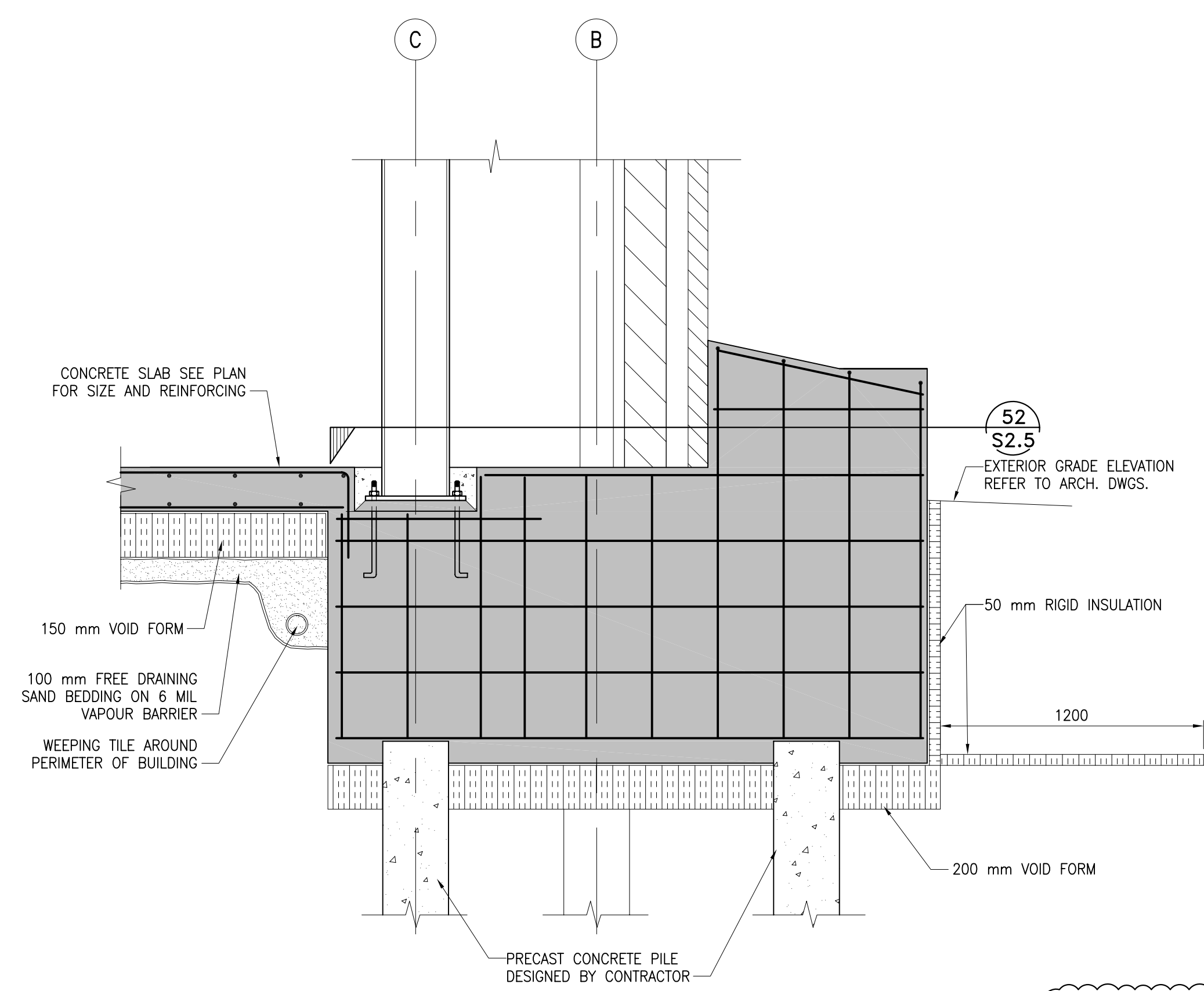
SECTION 52
SCALE: 1:20
S2.5



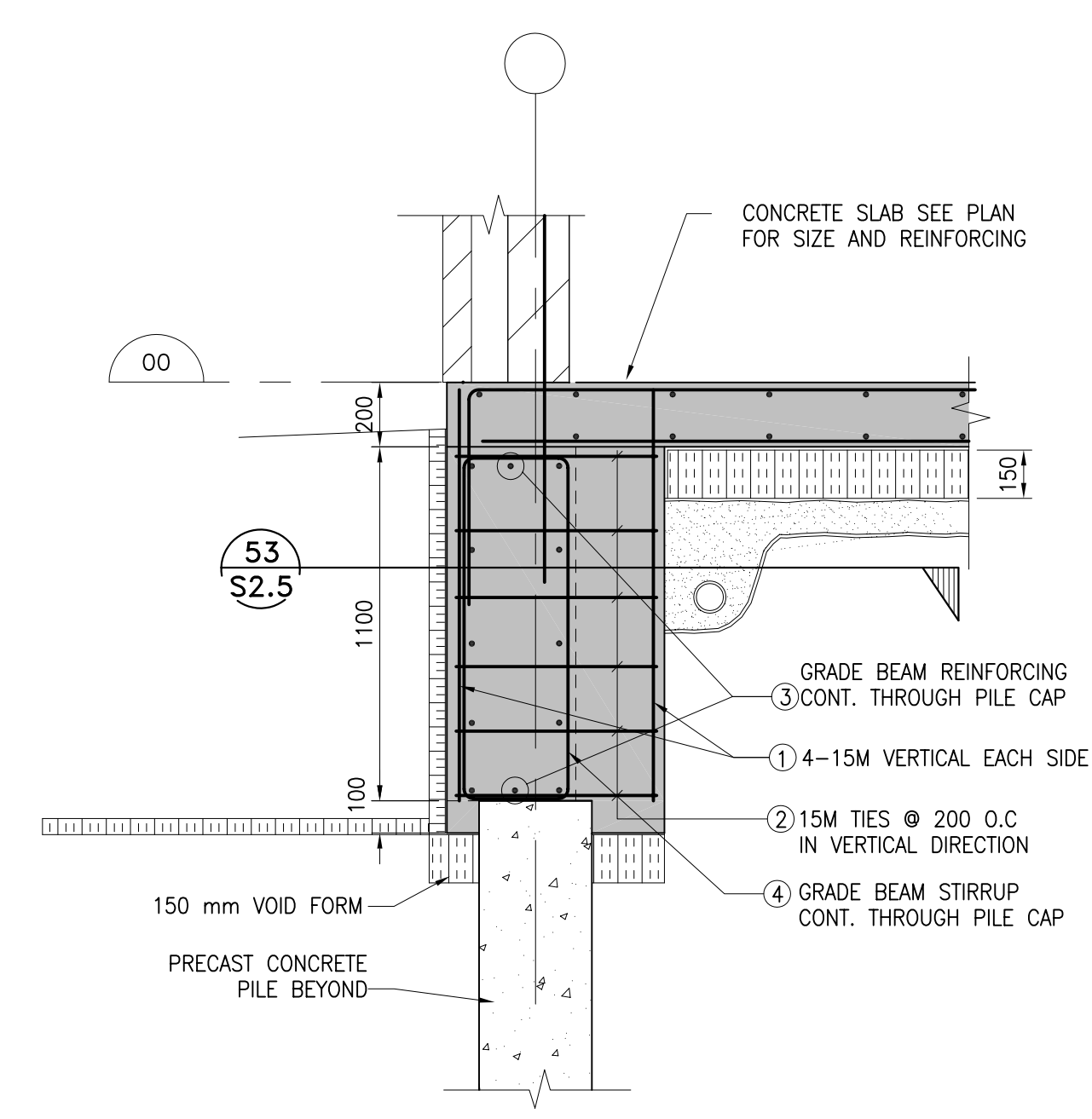
SCALE: 1:20
TYPICAL PILE CAP AT EXTERIOR WALL 53
S2.5



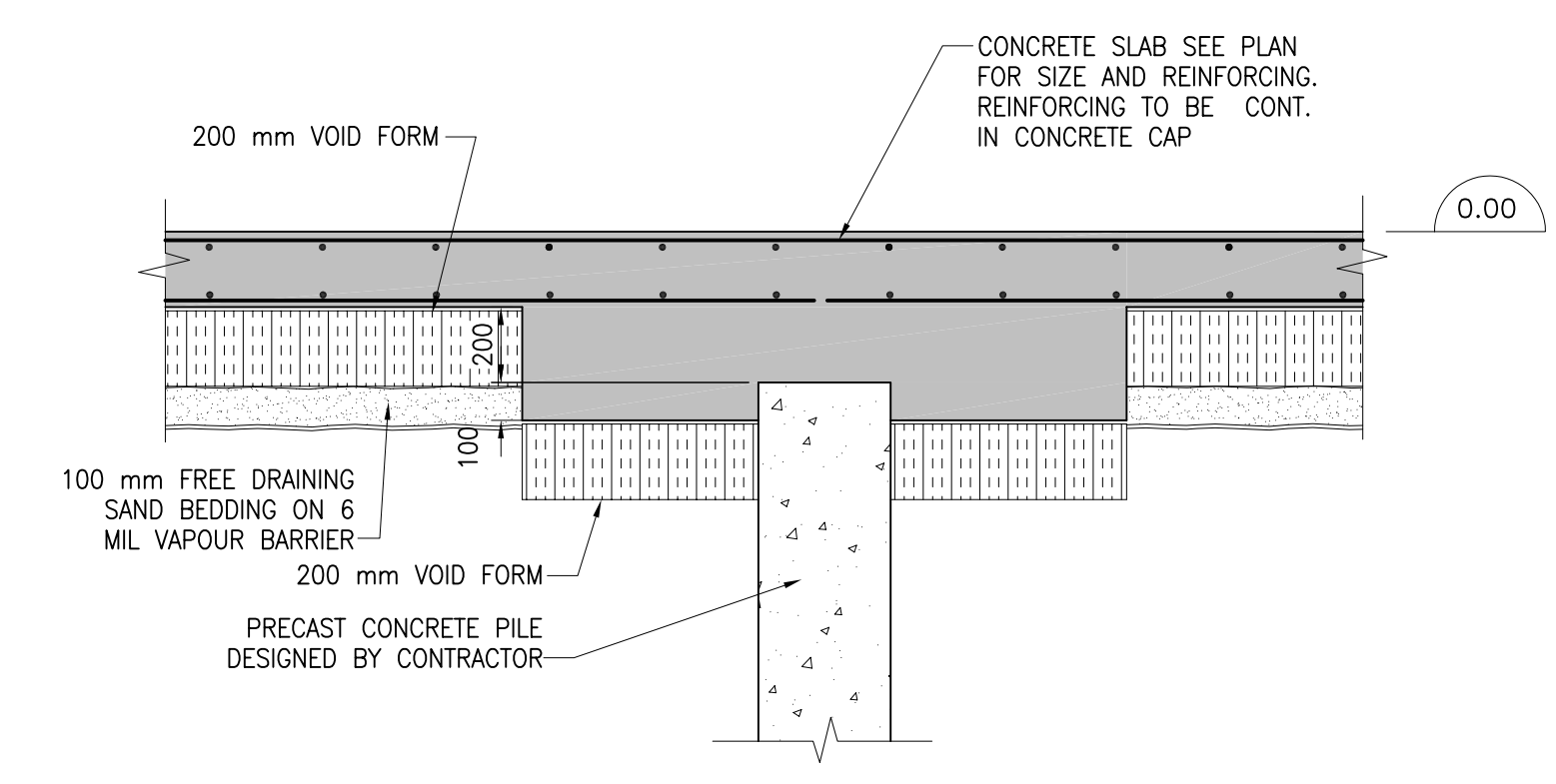
SECTION 54
SCALE: 1:20
S1.1



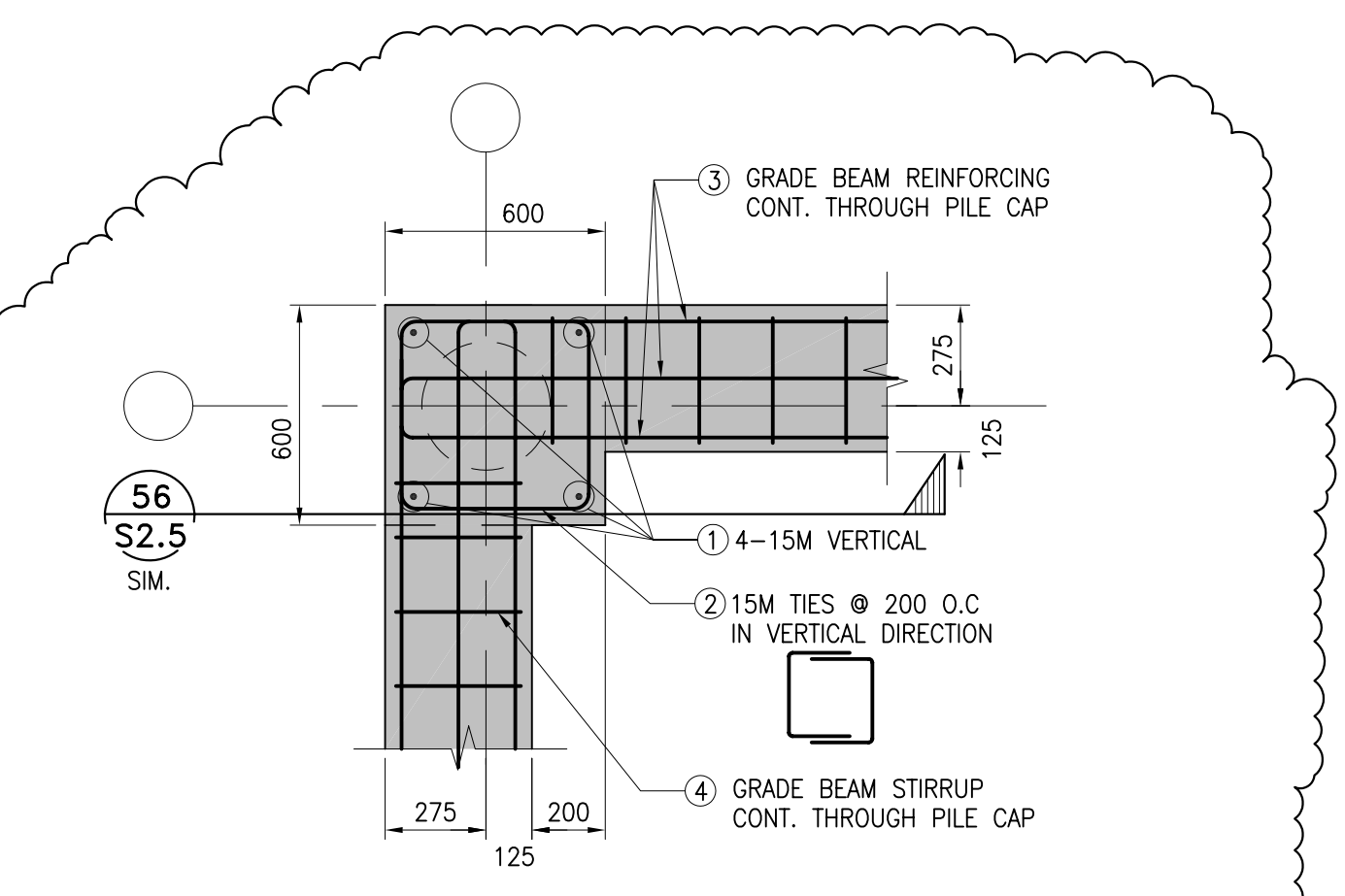
SECTION 51
SCALE: 1:20
S1.1



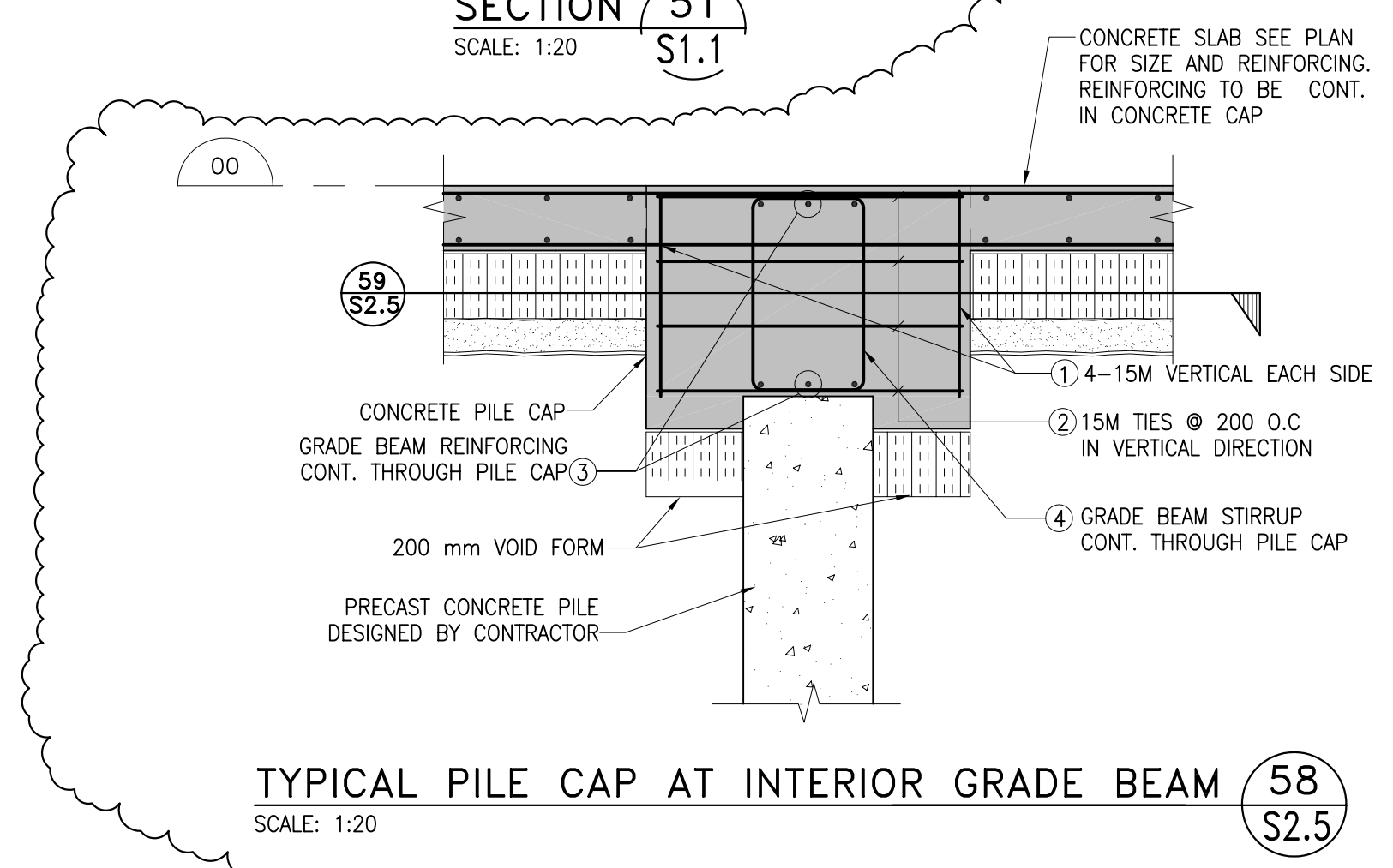
SCALE: 1:20
TYPICAL PILE CAP AT EXTERIOR WALL 56
S1.1



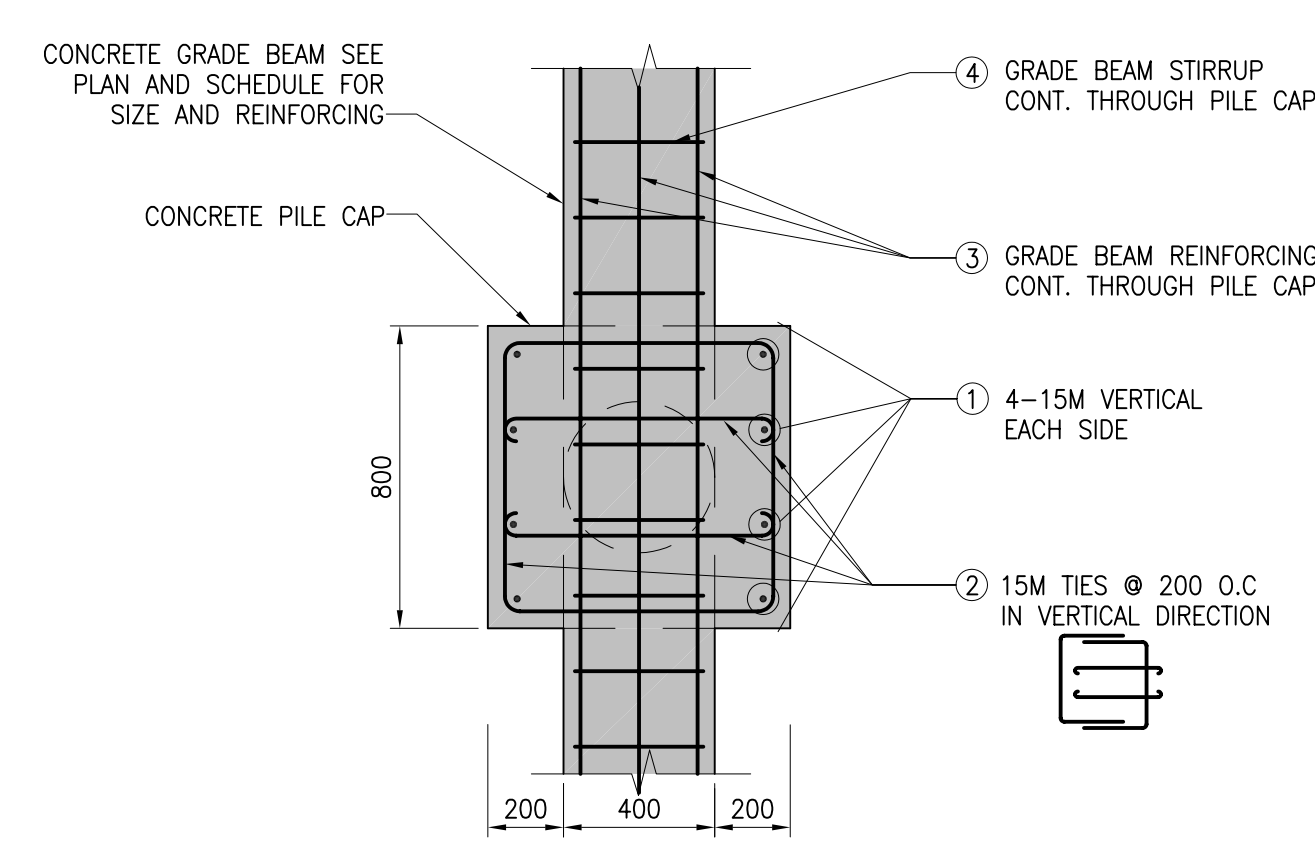
TYPICAL DROP AT INTERIOR PILES 55
SCALE: 1:20
S1.1



SECTION 57
SCALE: 1:20
TYPICAL PILE CAP AT EXTERIOR CORNER 57
S2.5



SECTION 58
SCALE: 1:20
TYPICAL PILE CAP AT INTERIOR GRADE BEAM 58
S2.5



SECTION 59
SCALE: 1:20
TYPICAL PILE CAP AT EXTERIOR WALL 59
S2.5

© COPYRIGHT MURPHY & MURPHY ARCHITECT 2009
NOT TO BE REPRODUCED WITHOUT CONSENT OF ARCHITECT.

VB&S VanBoxmeer & Stranges Ltd.
STRUCTURAL ENGINEERS
458 Queens Ave, London, ON, Canada N6B 1X9
tel. (519) 433-4661 fax. (519) 433-6420
E-mail vbands@vbands.com

MURPHY & MURPHY ARCHITECT INC.
775 WATERLOO STREET, LONDON, ONTARIO N6A 3W5
PH: (519) 433-5161 FAX: (519) 433-5163

A	A. Detail Number
B	B. Drawing Number - Where Detail Found

CONTRACTOR SHALL CHECK ALL DIMENSIONS ON THE DRAWINGS AND REPORT ANY DISCREPANCIES TO THE ARCHITECT BEFORE PROCEEDING. ALL DRAWINGS AND SPECIFICATIONS ARE PROPERTY OF THE ARCHITECT AND MUST BE RETURNED AT THE COMPLETION OF THE WORK. DRAWINGS ARE NOT TO BE SCALED. USE ONLY THE LATEST REVISED DRAWINGS OR THOSE THAT ARE MARKED "HANDLED FOR CONSTRUCTION". ANY UNAUTHORIZED USE IS PROHIBITED. AREA CALCULATIONS ARE APPROXIMATE.

PROJECT NAME:
NEW WINNIPEG STATION No. 27 PROJECT
WINNIPEG, MANITOBA

DRAWING TITLE:
PILE CAP DETAIL AND DROP PANEL DETAIL

PROJECT NORTH:	STAMP:
SCALE:	PROJECT NO.: 10123
DATE:	FILE NAME:
ISSUED: MAY 20 2010	DRAWING NO.: S2.5
DRAWN BY: DZ	
CHECKED BY: RAS	