

ISSUES:		
NO.	DATE	DESCRIPTION
1	SEP. 24, 2010	ISSUED FOR TENDER
2	DEC. 16, 2010	ISSUED FOR CONSTRUCTION

© COPYRIGHT MURPHY & MURPHY ARCHITECT 2009
 NOT TO BE REPRODUCED WITHOUT CONSENT OF ARCHITECT.

VB&S VanBoxmeer & Stranges Ltd.
 STRUCTURAL ENGINEERS
 458 Queens Ave, London, ON, Canada N6A 1X9
 tel. (519) 433-4661 fax. (519) 433-6420
 E-mail vbands@vbands.com

MURPHY & MURPHY ARCHITECT INC.
 775 WATERLOO STREET, LONDON, ONTARIO N6A 3W5
 PH: (519) 433-5161 FAX: (519) 433-5163

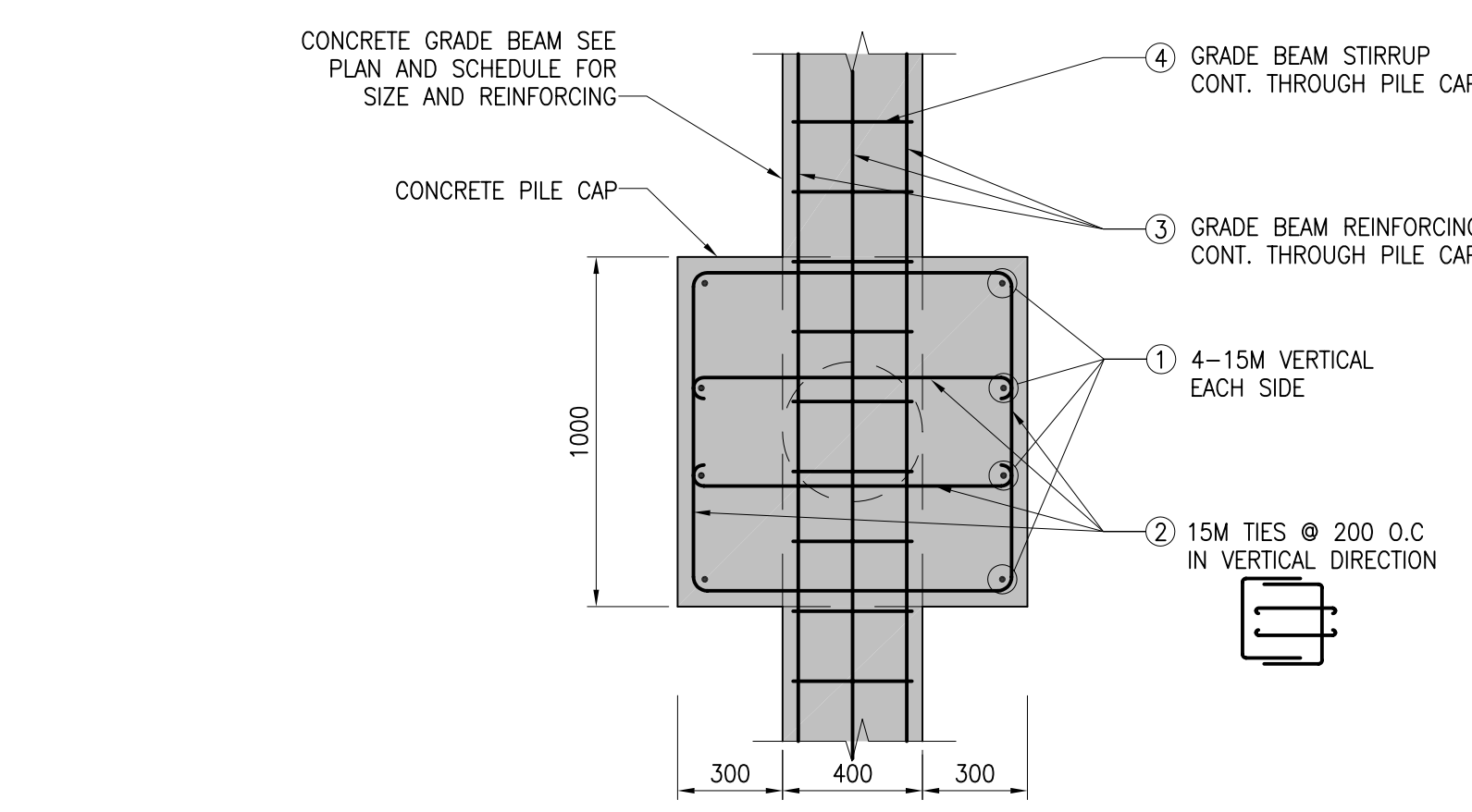
A	A. Detail Number
B	B. Drawing Number - Where Detail Found

CONTRACTOR SHALL CHECK ALL DIMENSIONS ON THE DRAWINGS AND REPORT ANY DISCREPANCIES TO THE ARCHITECT BEFORE PROCEEDING. ALL DRAWINGS AND SPECIFICATIONS ARE PROPERTY OF THE ARCHITECT AND MUST BE RETURNED AT THE COMPLETION OF THE WORK. DRAWINGS ARE NOT TO BE SCALED. USE ONLY THE LATEST REVISED DRAWINGS OR THOSE THAT ARE MARKED "HARDED FOR CONSTRUCTION". ANY UNAUTHORIZED USE IS PROHIBITED. AREA CALCULATIONS ARE APPROXIMATE.

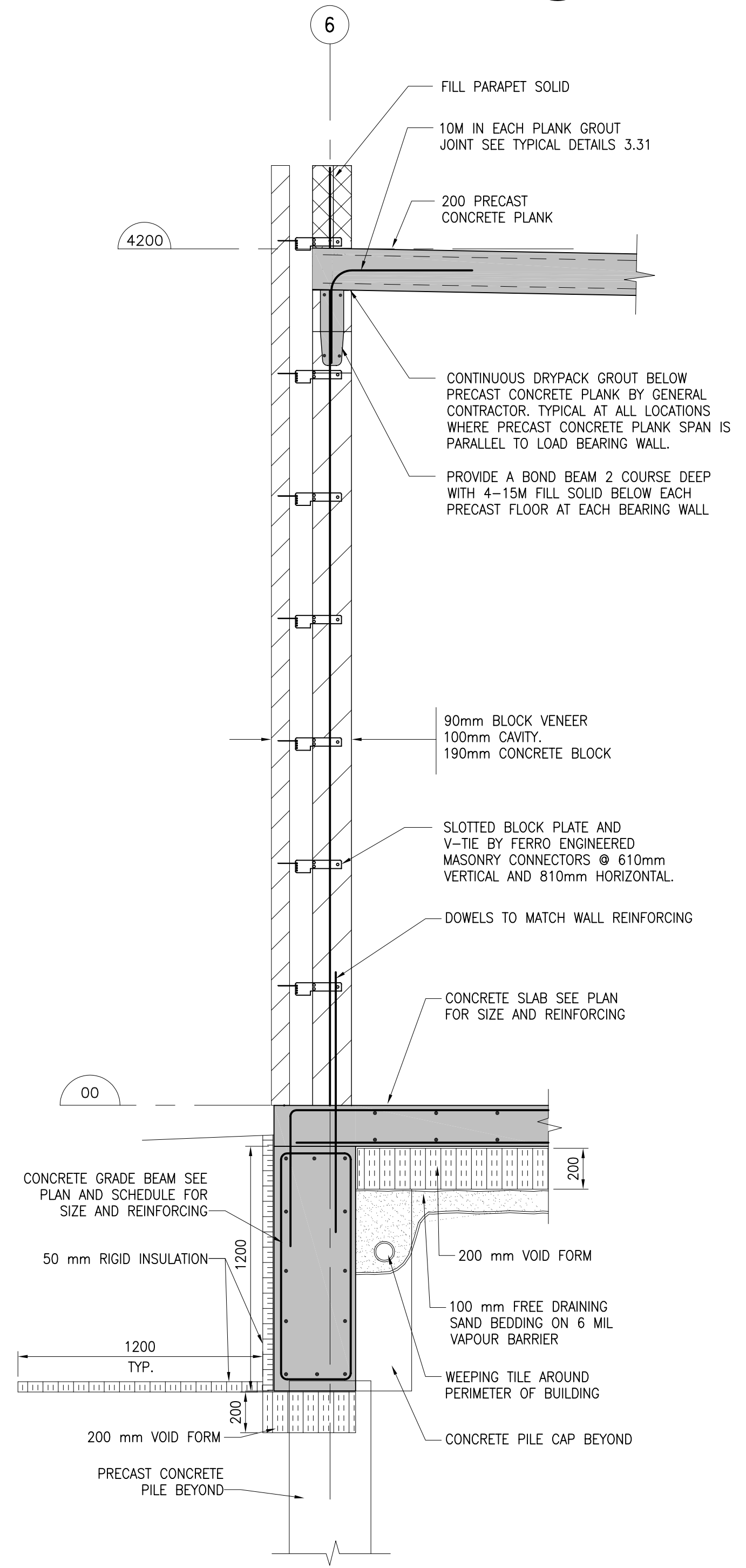
PROJECT NAME:
NEW WINNIPEG STATION No. 27 PROJECT
 WINNIPEG, MANITOBA

DRAWING TITLE:
EAST - WEST SECTIONS

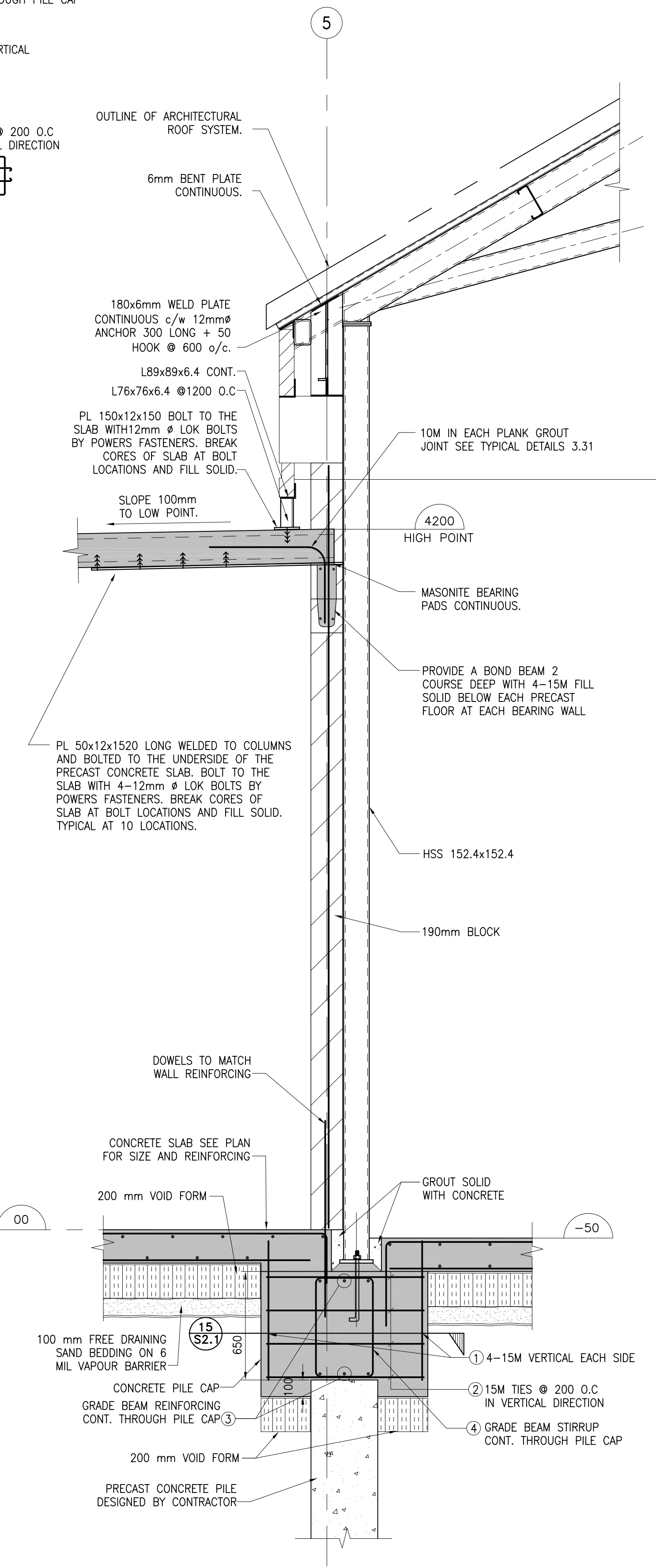
PROJECT NORTH:	STAMP:
SCALE:	PROJECT NO: 10123
DATE:	FILE NAME:
ISSUED:	DRAWING NO: S2.1
DRAWN BY: DZ	
CHECKED BY: RAS	



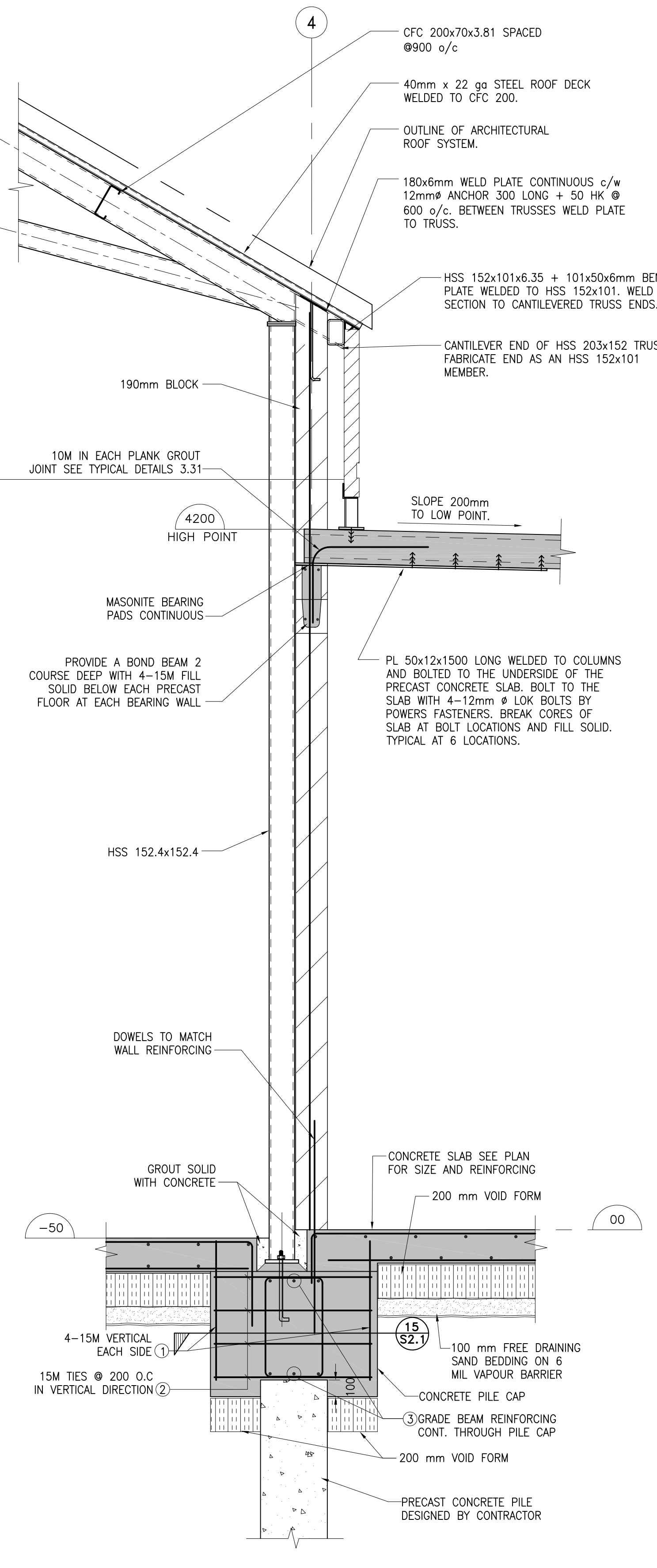
SECTION 15
 S2.1



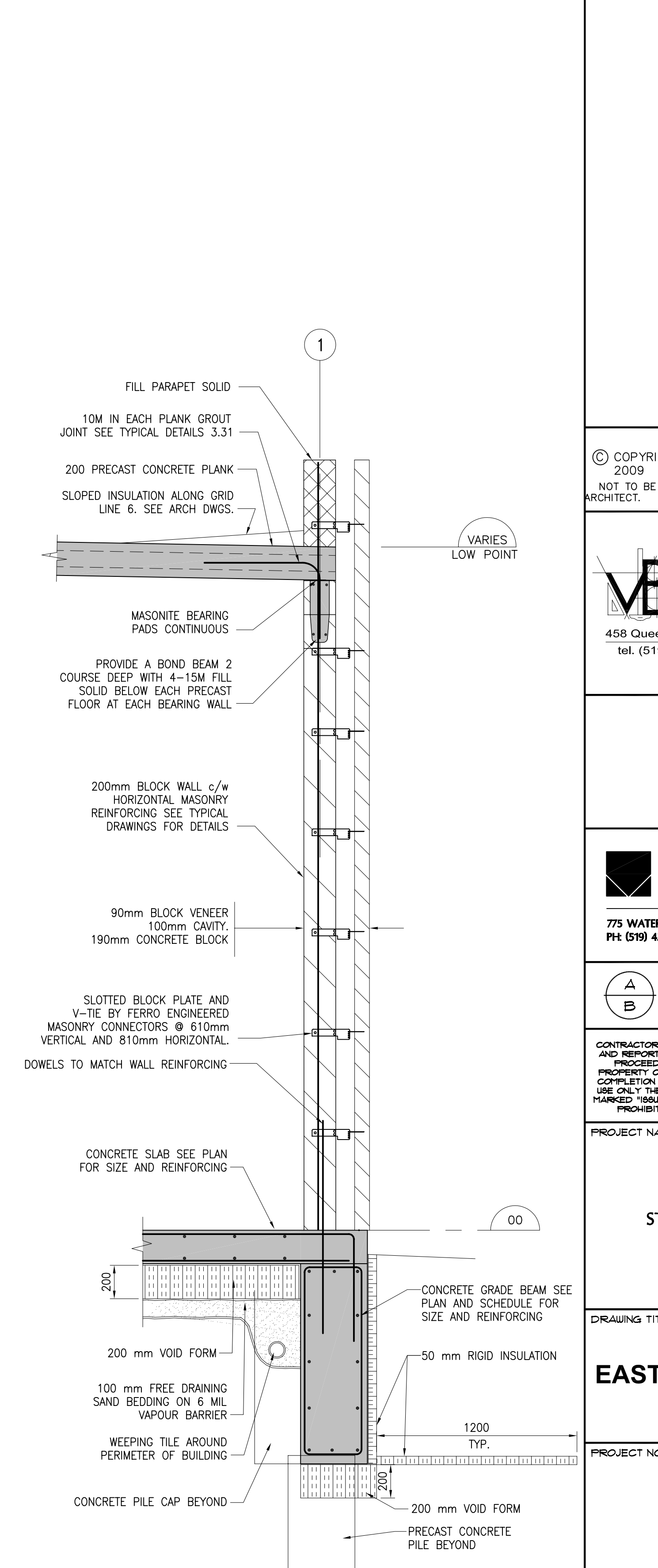
SECTION 11
 SCALE: 1:20 S1.1, S1.2



SECTION 12
 SCALE: 1:20 S1.1, S1.2



SECTION 13
 SCALE: 1:20 S1.1, S1.2



SECTION 14
 SCALE: 1:20 S1.1, S1.2

