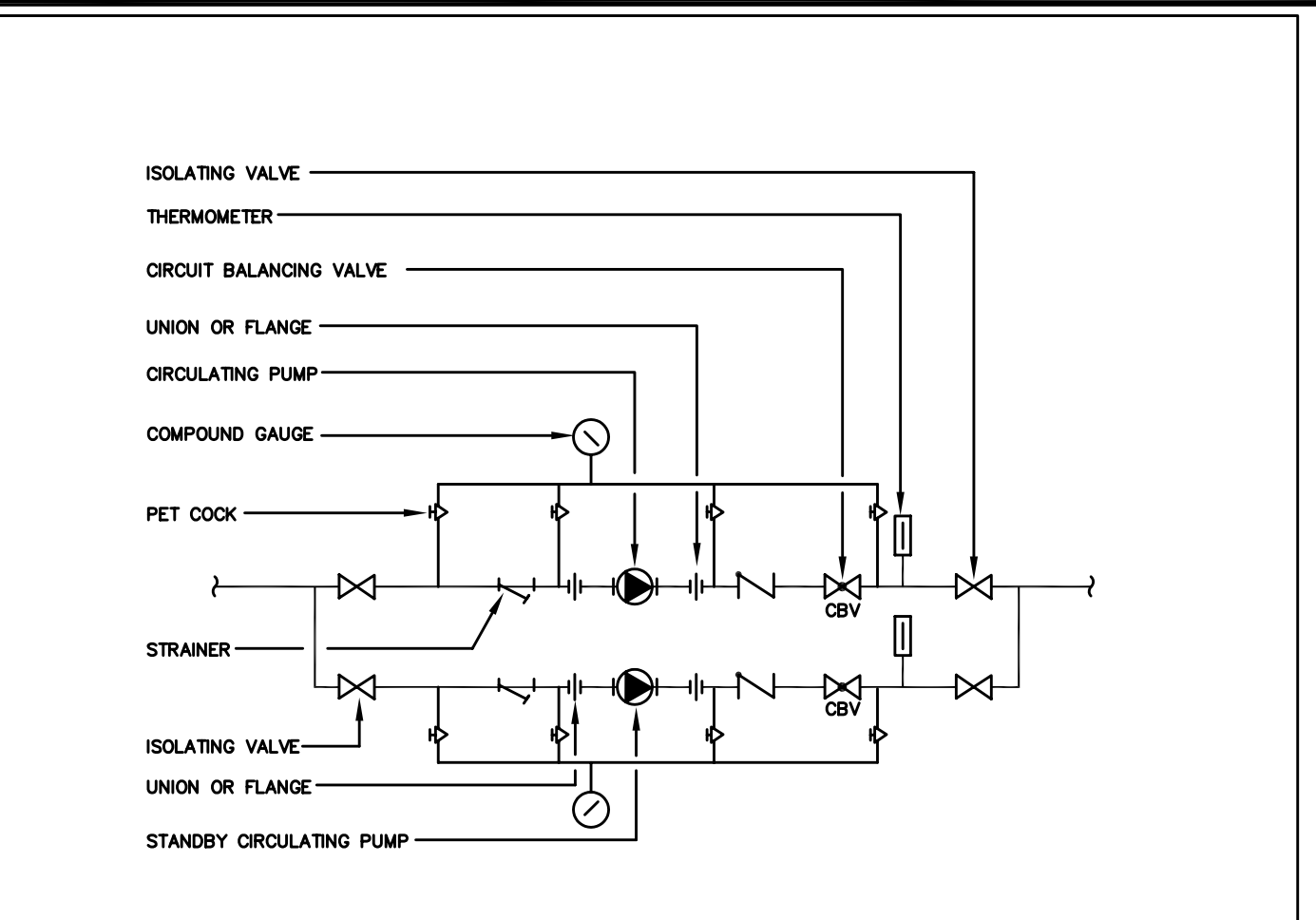
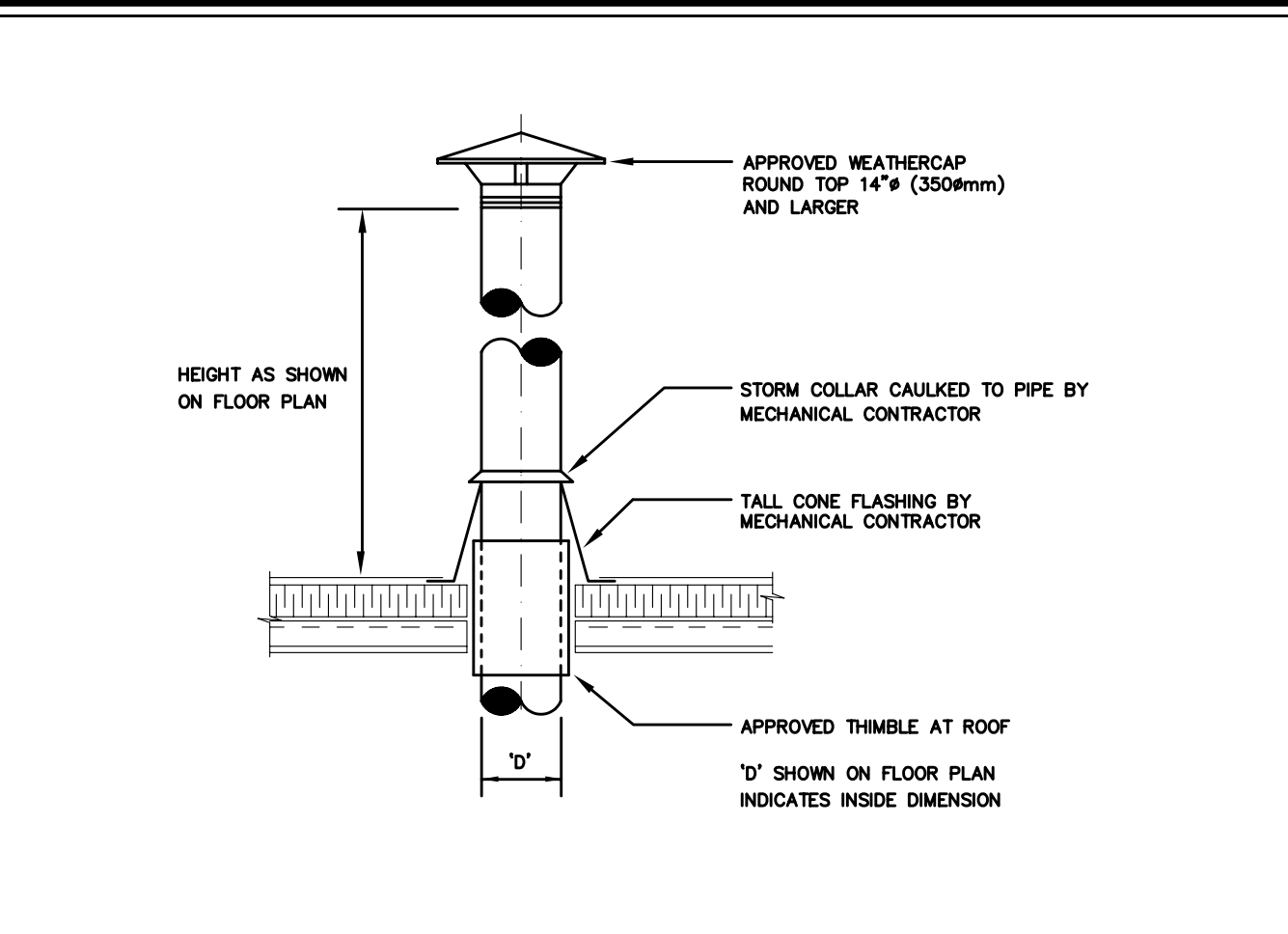


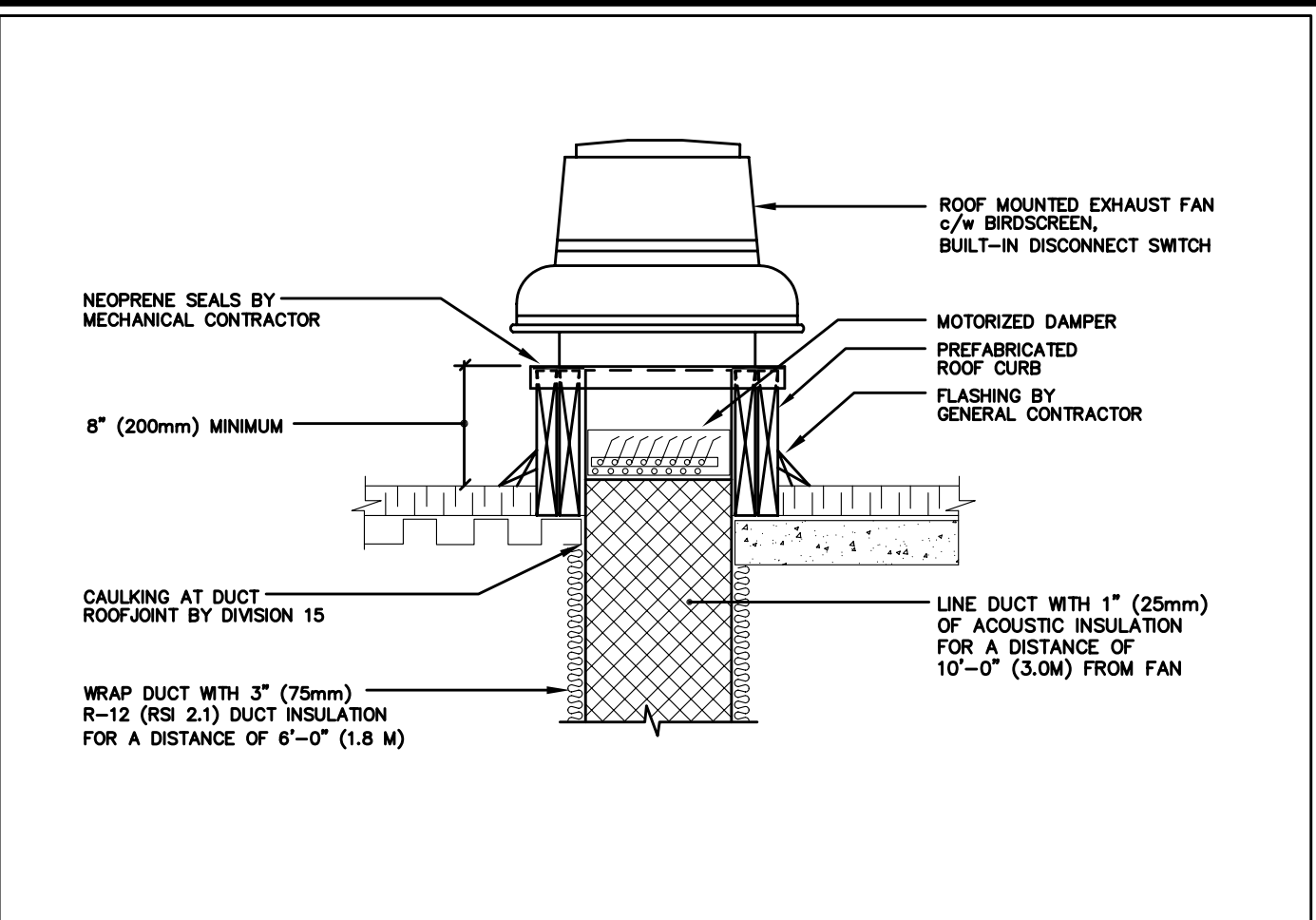
1
M7.1
DETAIL OF PIPING TO PLATE TYPE HEAT EXCHANGER
637



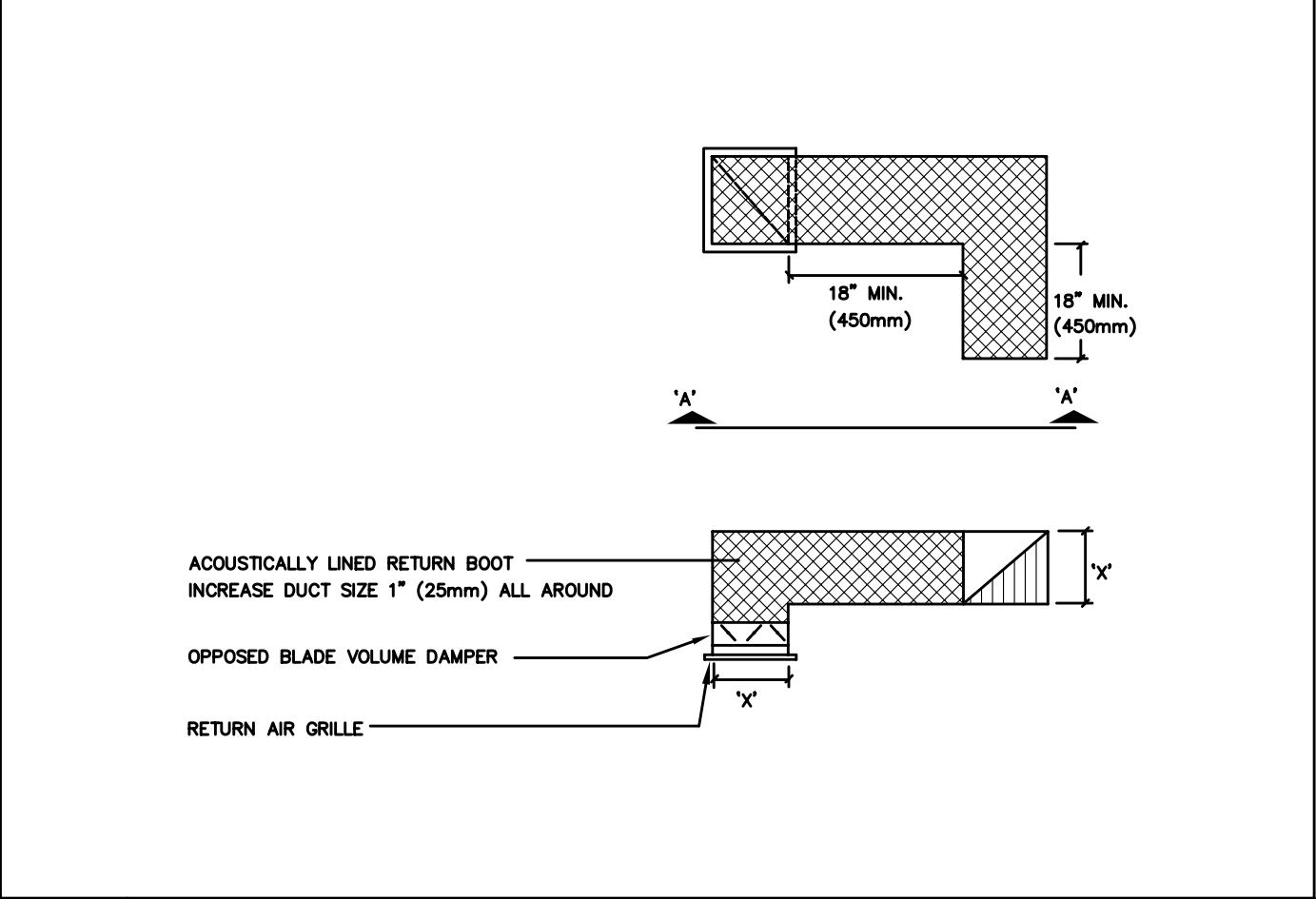
2
M7.1
PIPING SCHEMATIC OF INLINE CIRCULATING PUMP WITH STANDBY PUMP
701



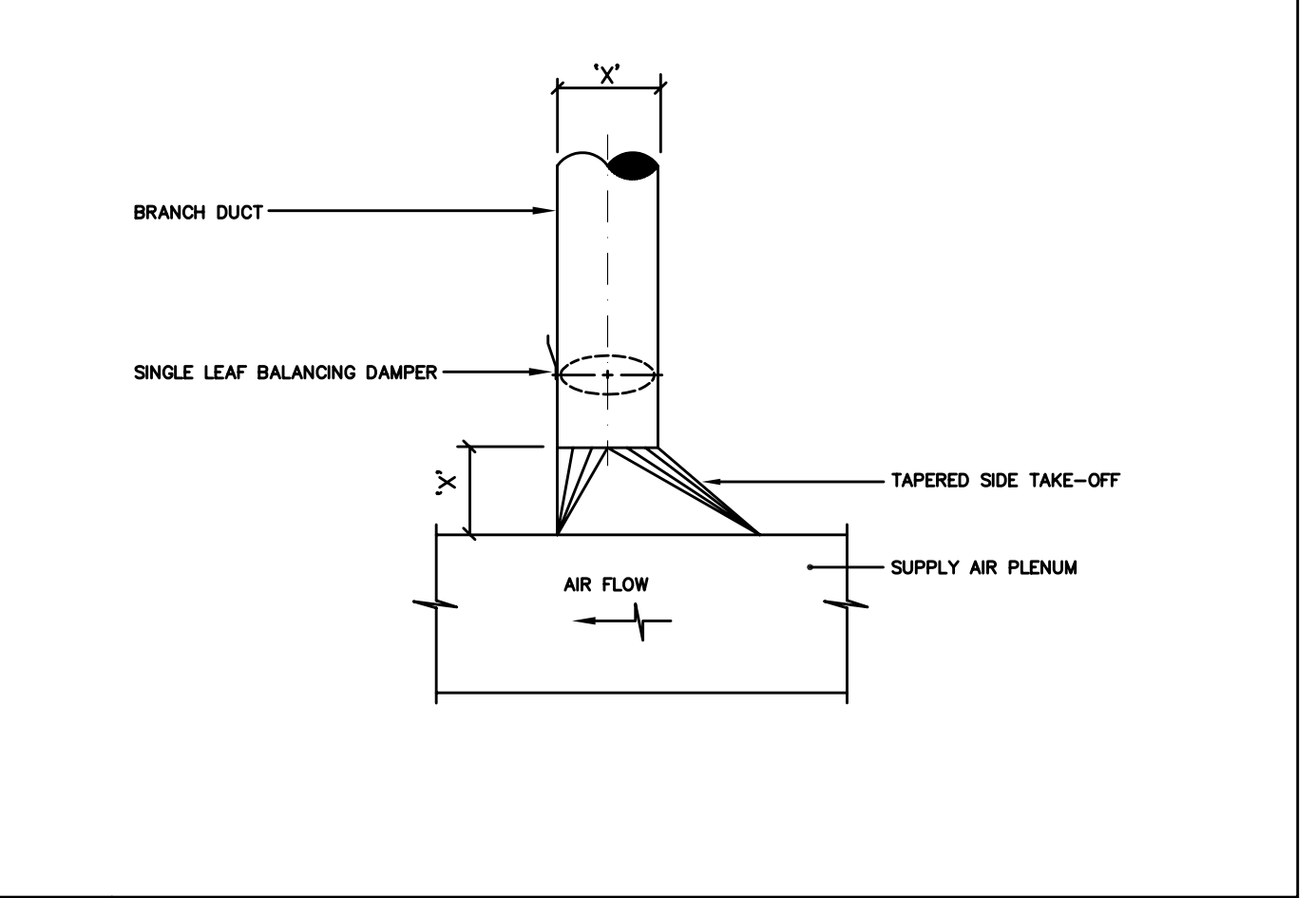
17
M7.1
DETAIL OF TYPE 'B' GAS VENT
952



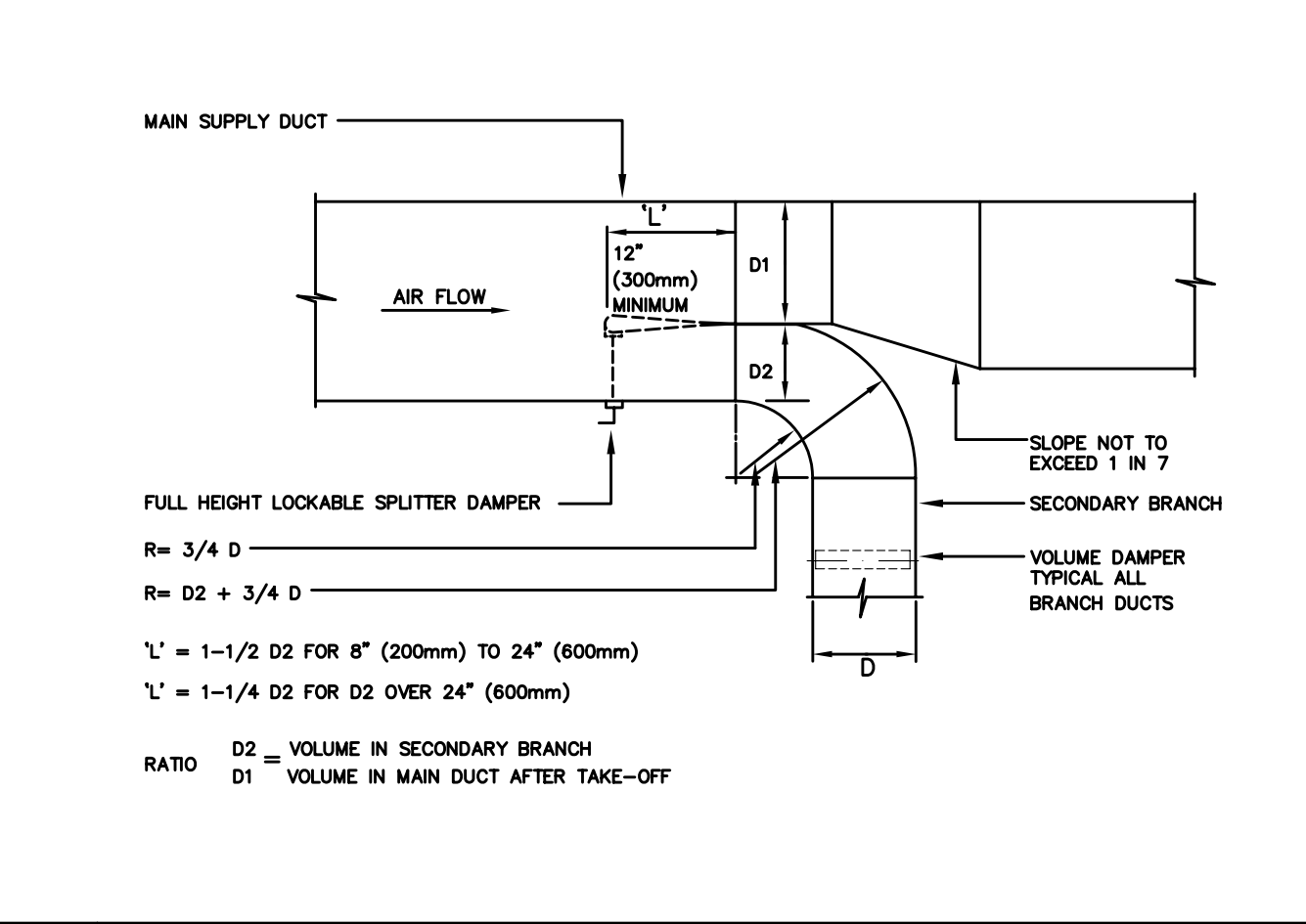
4
M7.1
DETAIL OF ROOF MOUNTED EXHAUST FAN
801



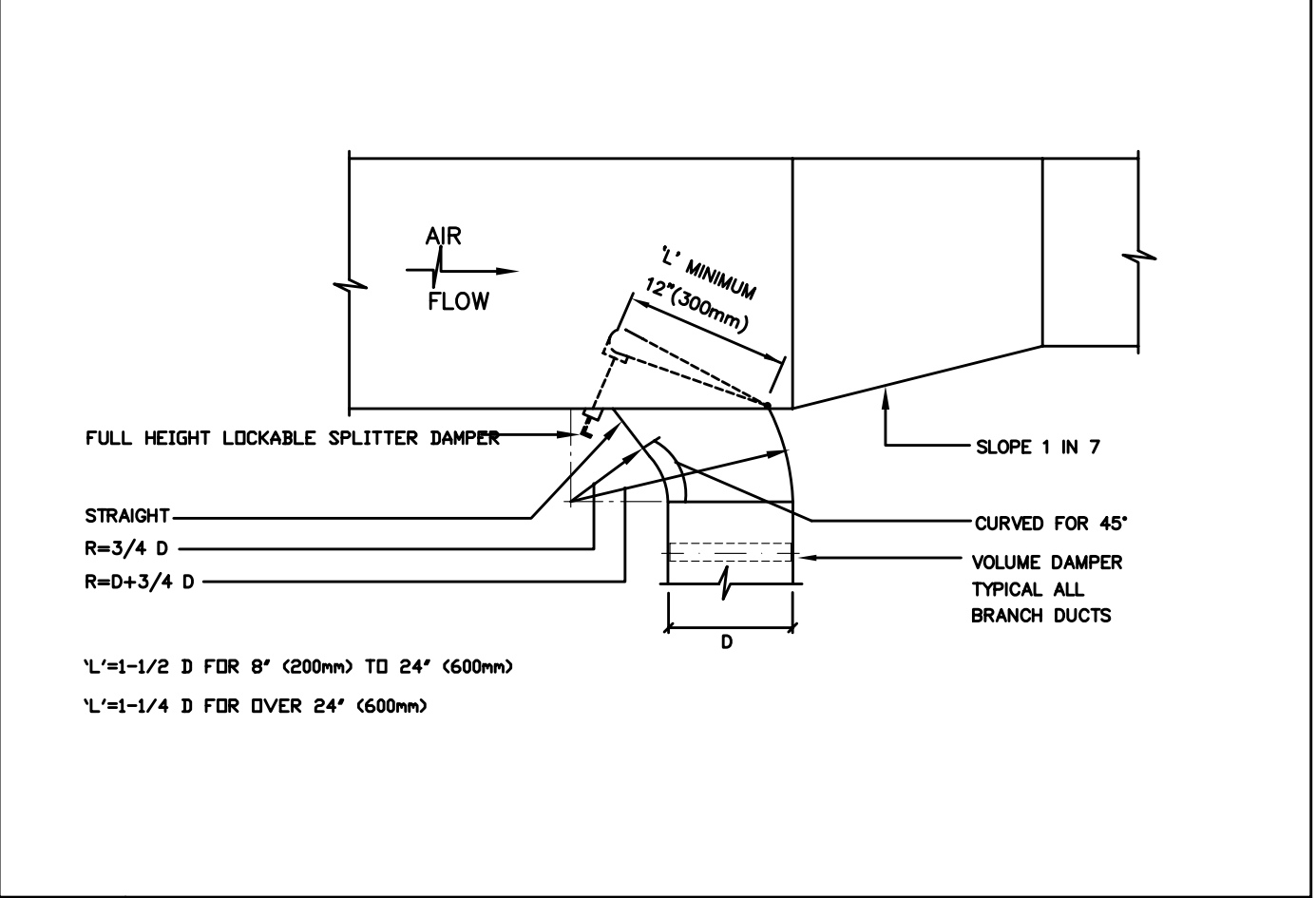
5
M7.1
DETAIL OF RETURN AIR GRILLE AND BOOT
862



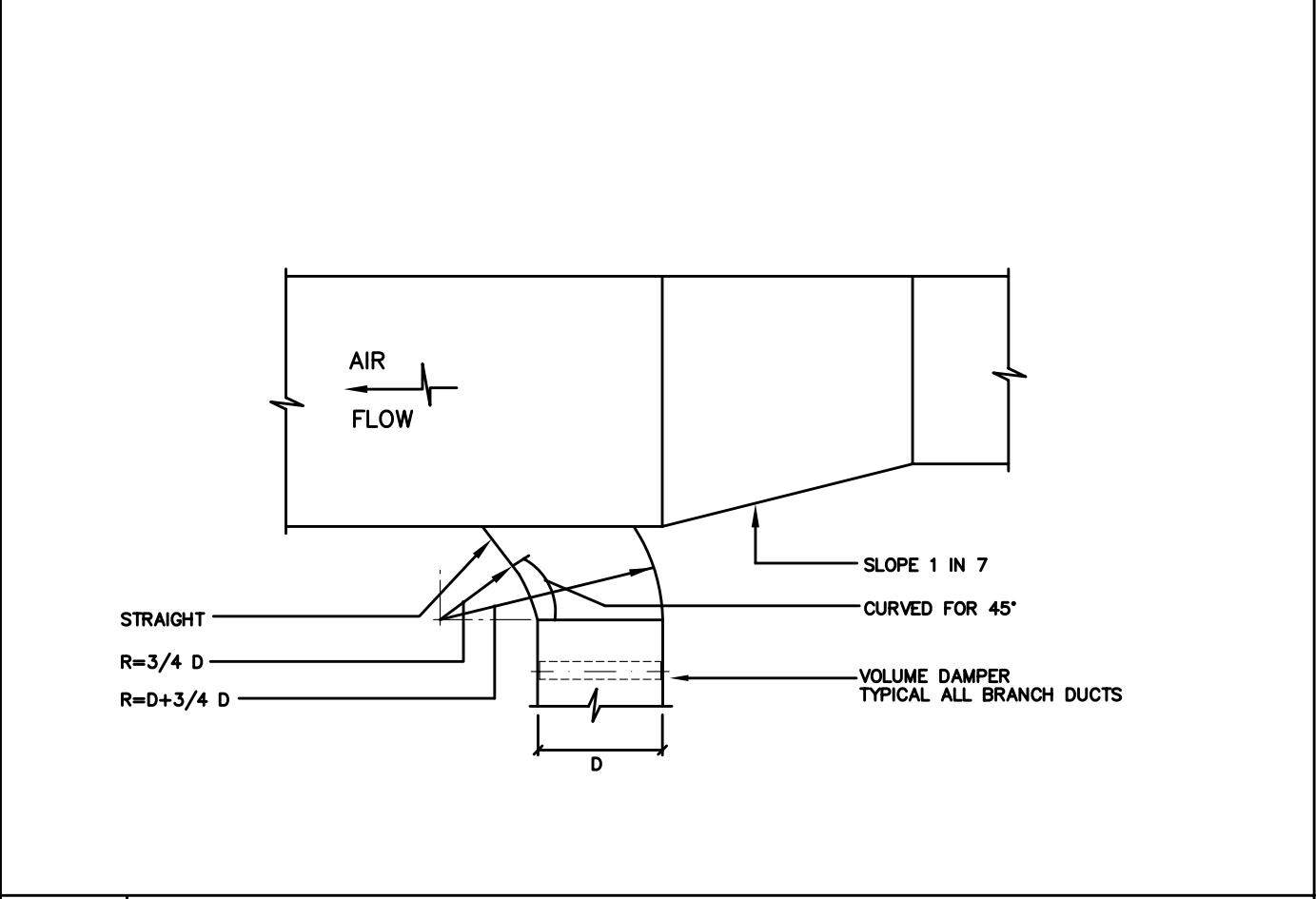
6
M7.1
DETAIL OF ROUND DUCT TAKE-OFF
850



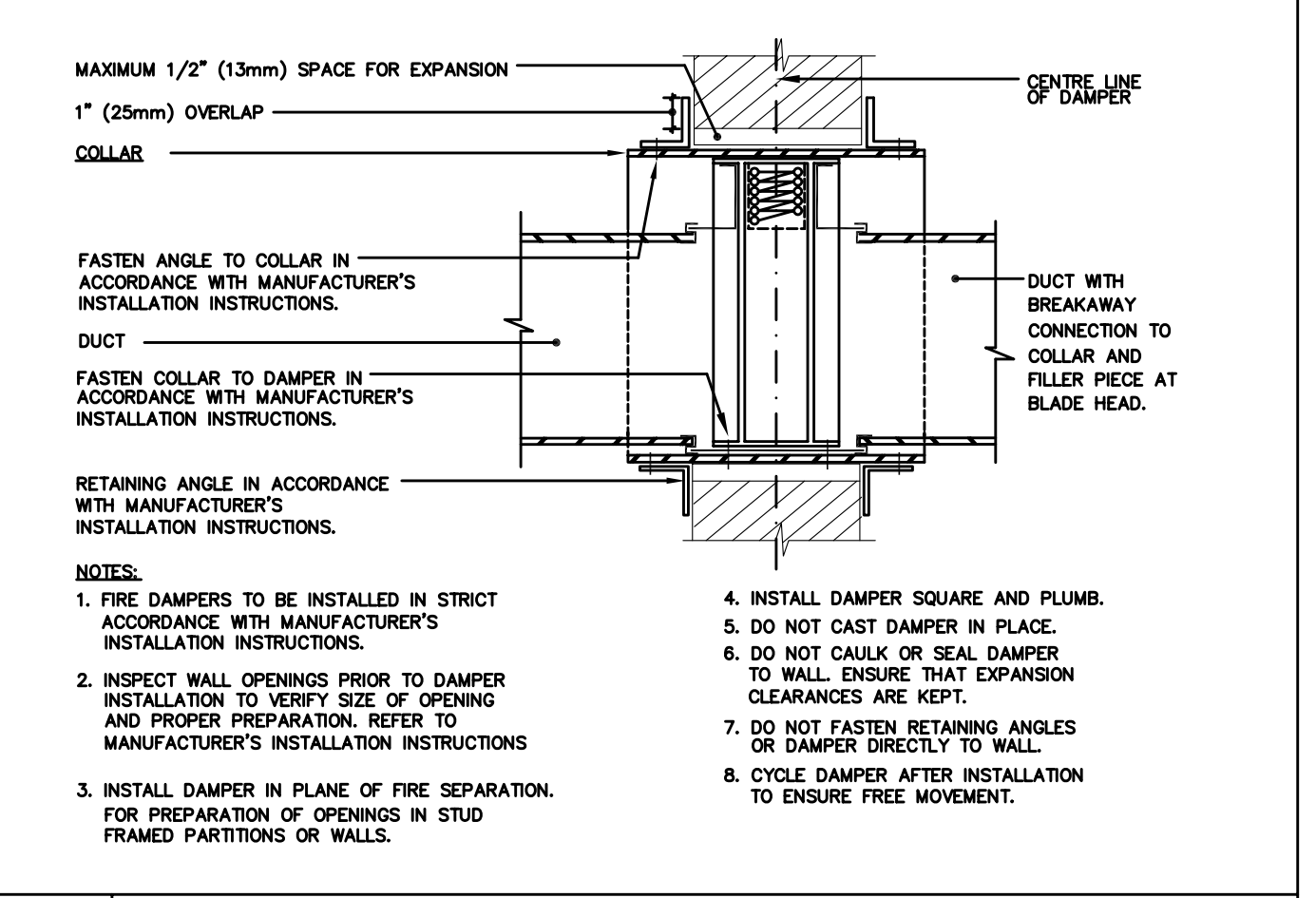
7
M7.1
DETAIL OF FULL RADIUS ELBOW BRANCH TAKE-OFF
852



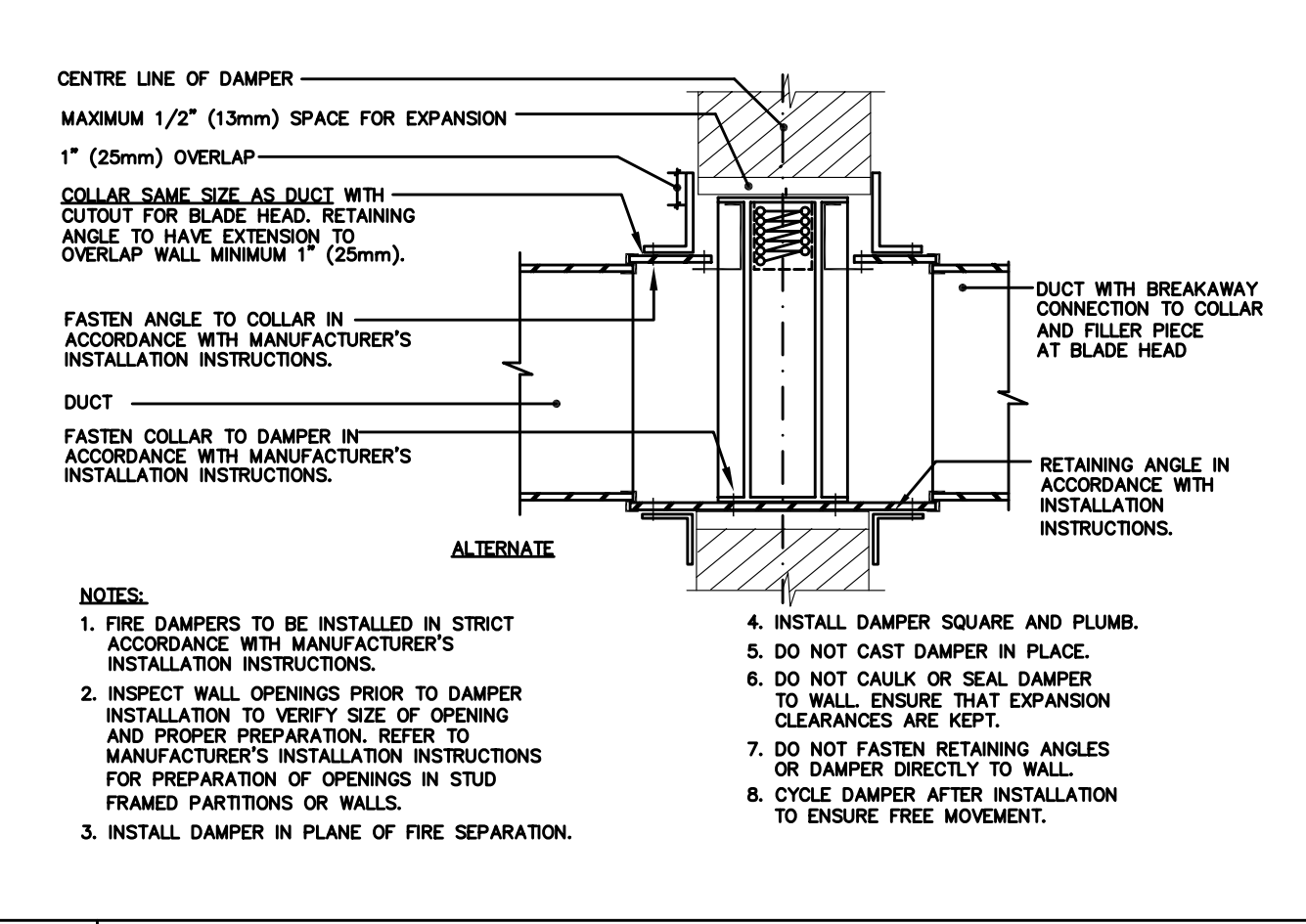
8
M7.1
DETAIL OF SUPPLY TAP-IN CONNECTION
853



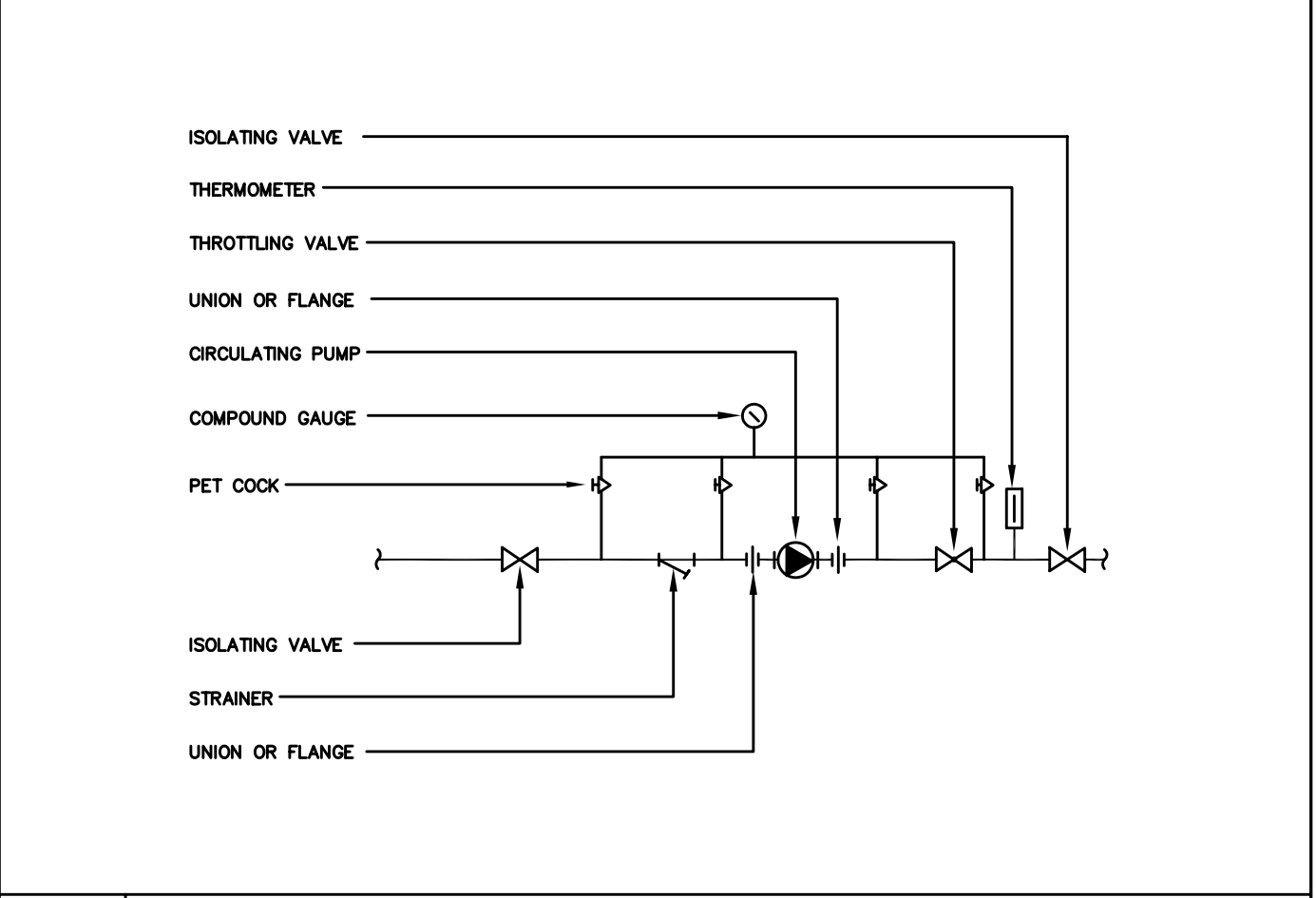
9
M7.1
DETAIL OF RETURN TAP-IN CONNECTION
854



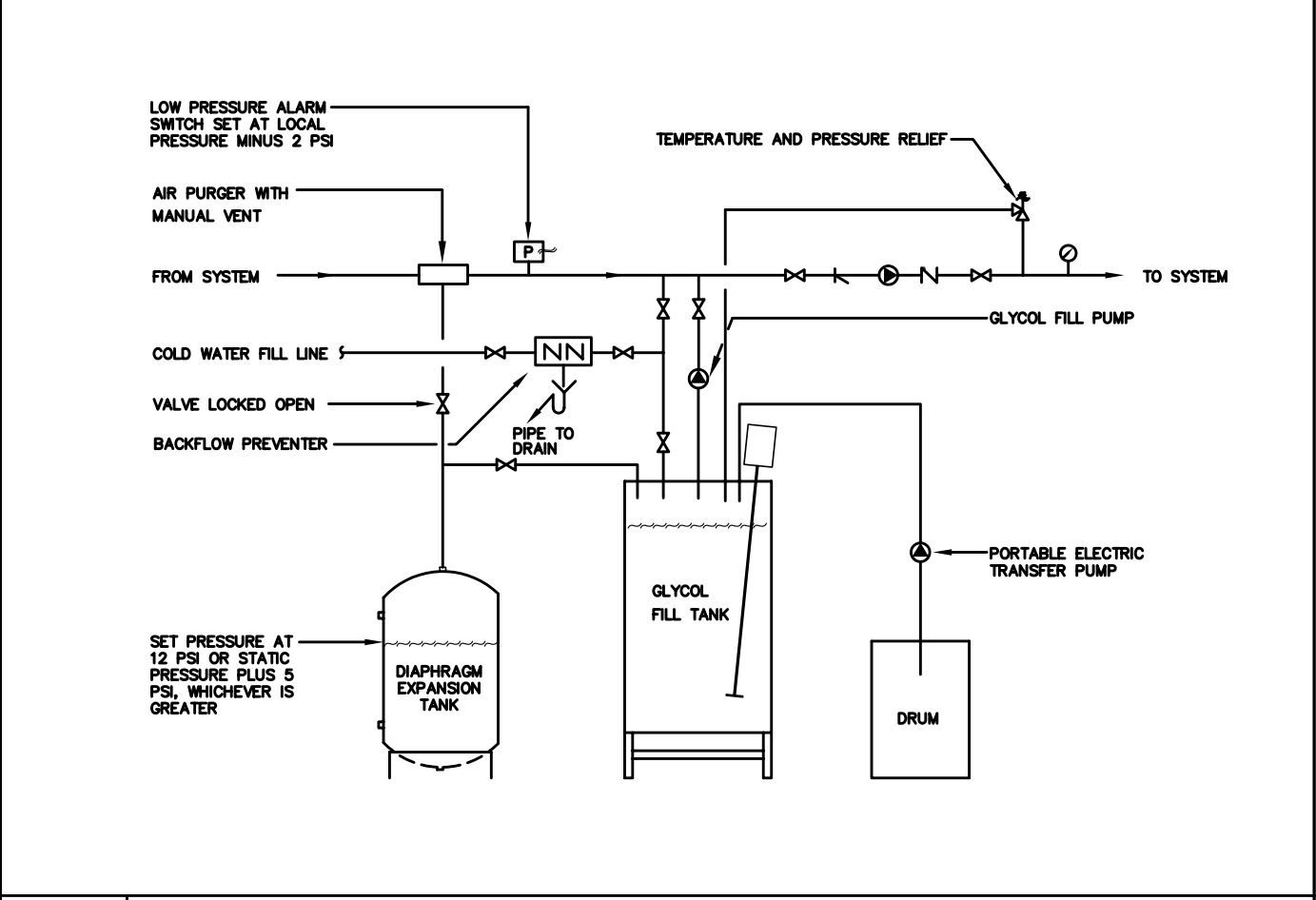
10
M7.1
DETAIL OF FIRE DAMPER INSTALLATION - VERTICAL
900



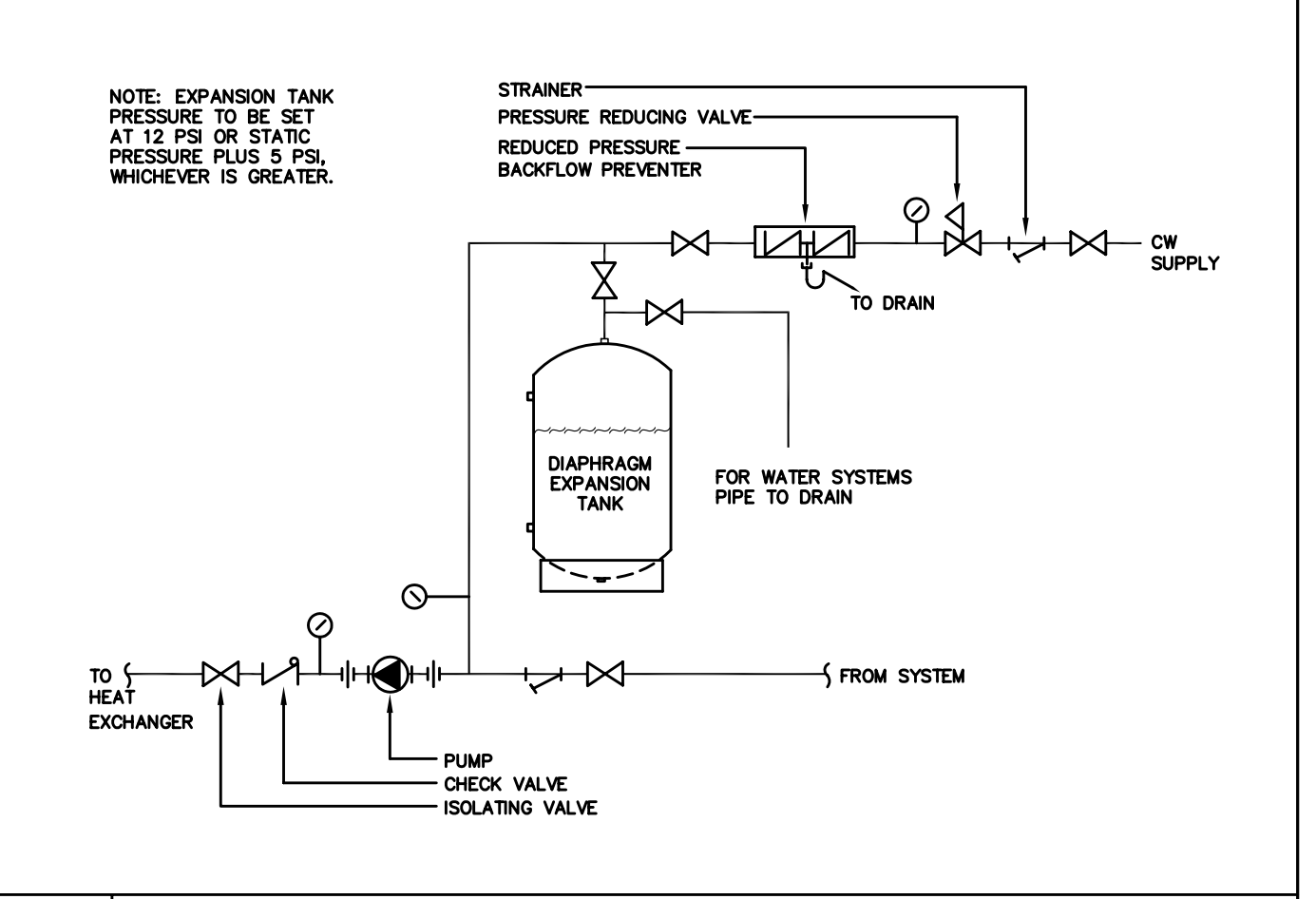
11
M7.1
DETAIL OF FIRE DAMPER INSTALLATION - VERTICAL ALTERNATE
901



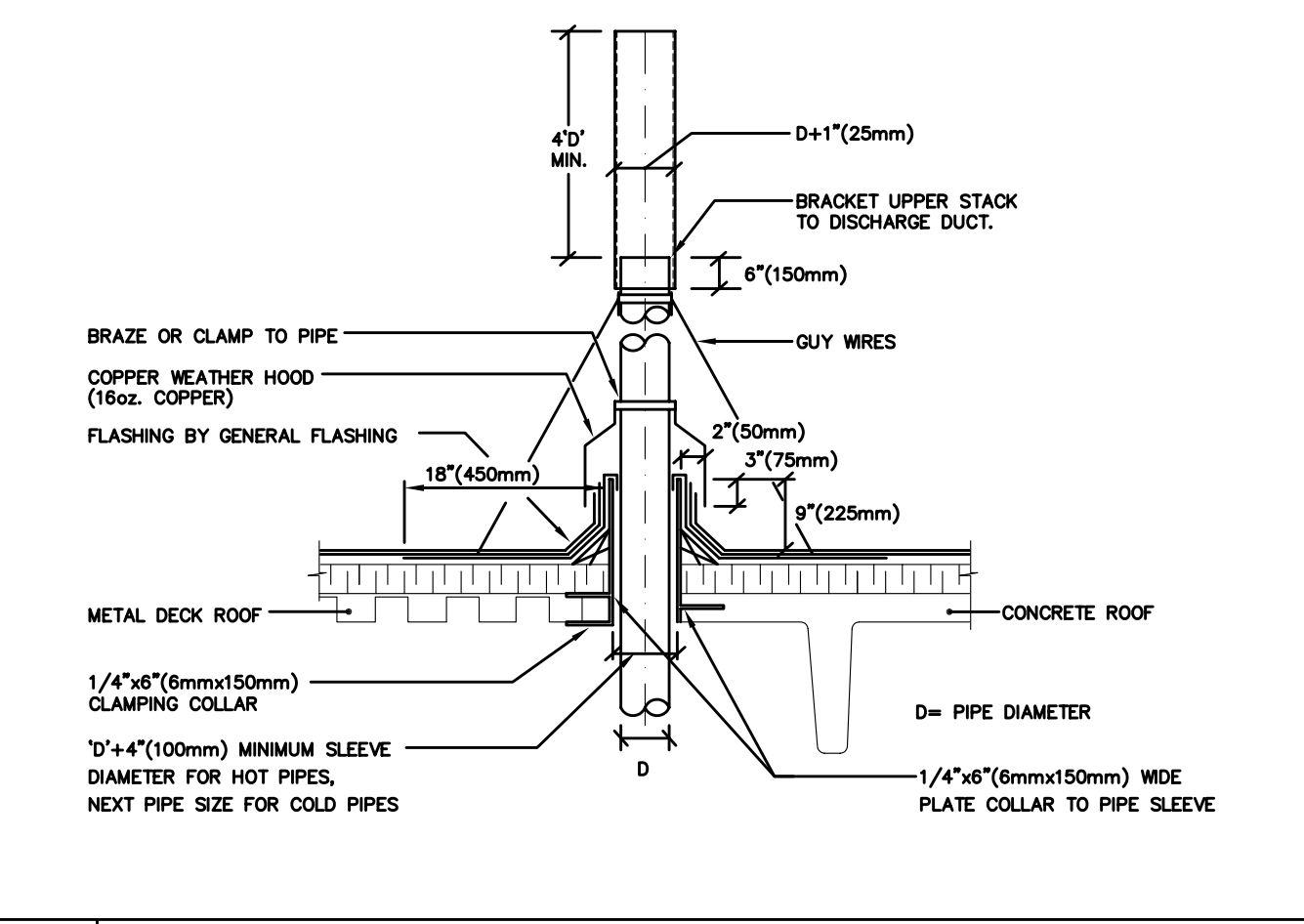
20
M7.1
PIPING SCHEMATIC OF INLINE CIRCULATING PUMP
700



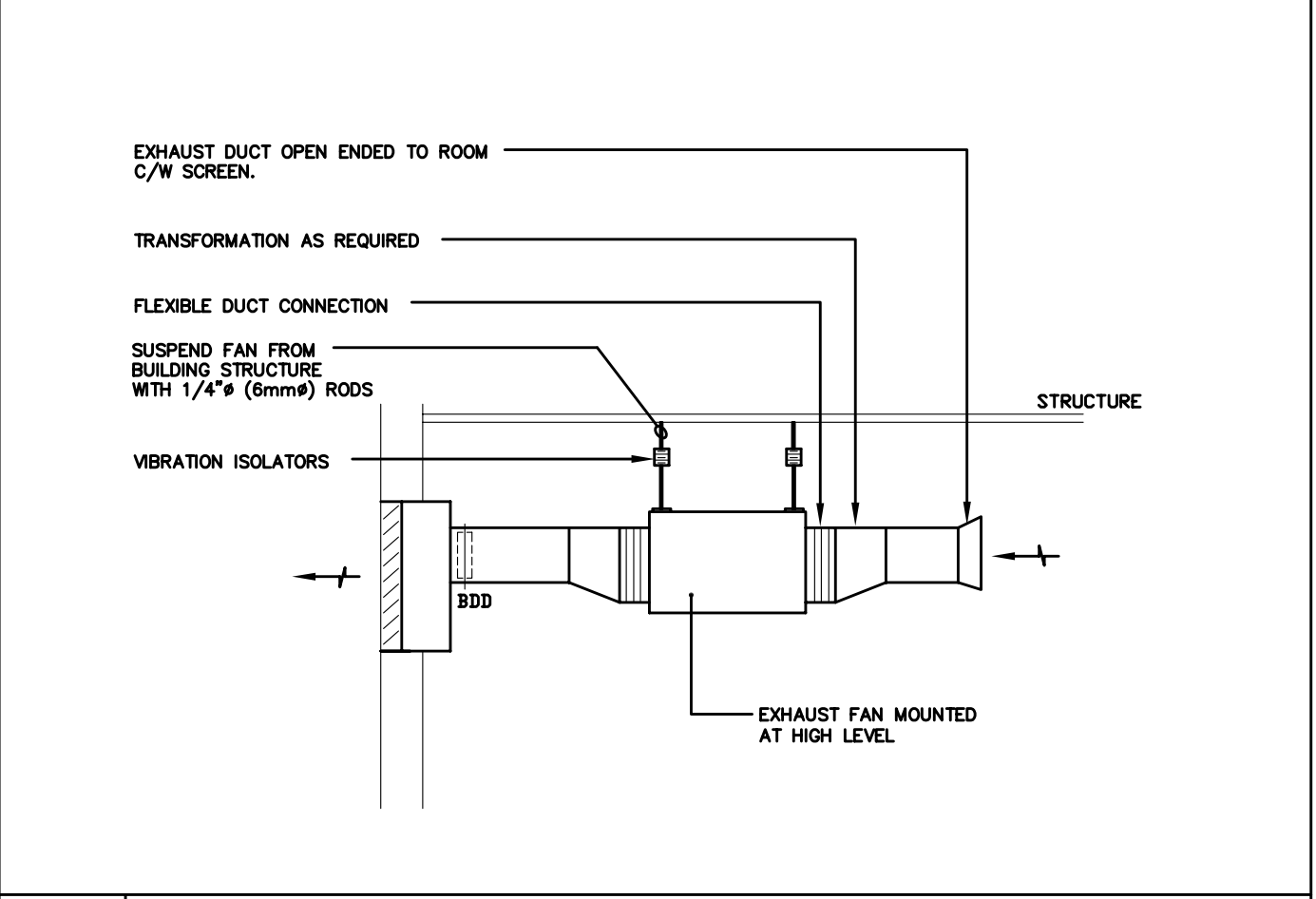
18
M7.1
PIPING SCHEMATIC OF GLYCOL FILL
670



19
M7.1
TYPICAL EXPANSION TANK AND FILL CONNECTION
696



15
M7.1
DETAIL OF VERTICAL DISCHARGE ABOVE ROOF
958



16
M7.1
DETAIL OF INLINE EXHAUST FAN
804

NO.	DATE	DESCRIPTION
1	MAY 14, 2010	ISSUED FOR CLIENT REVIEW
2	MAY 19, 2010	ISSUED FOR CLIENT REVIEW
3	SEPT. 24, 2010	ISSUED FOR BUILDING PERMIT
4	DEC. 10, 2010	ISSUED FOR TENDER

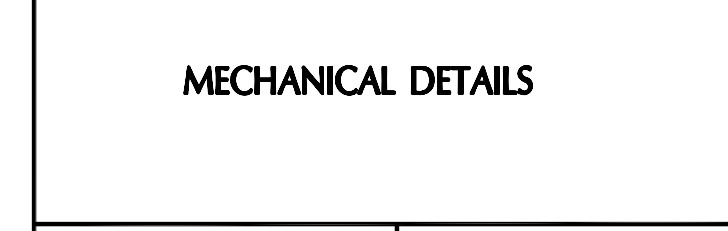


REVIEW ALL DRAWINGS AND VERIFY ALL DIMENSIONS AT THE SITE. DO NOT SCALE THE DRAWINGS. REPORT ALL DISCREPANCIES TO THE ENGINEER BEFORE PROCEEDING WITH ANY CONSTRUCTION OR SHOP FABRICATION. ALL DRAWINGS, SPECIFICATIONS AND RELATED DOCUMENTS ARE THE COPYRIGHT PROPERTY OF VANDERWESTEN RUTHERFORD MANTECON AND MUST BE RETURNED UPON REQUEST. REPRODUCTION OF DRAWINGS, SPECIFICATIONS AND RELATED DOCUMENTS IN PART OR WHOLE IS FORBIDDEN WITHOUT THE CONSULTANT'S WRITTEN PERMISSION.

PROJECT NAME:
NEW WINNIPEG STATION No. 27 PROJECT

SAGE CREEK, WINNIPEG, MANITOBA

DRAWING TITLE:
MECHANICAL DETAILS



PROJECT NORTH:	STAMP: VRM #10-013
SCALE: NTS	PROJECT NO.: 2261
DATE: DECEMBER 10, 2010	FILE NAME:
ISSUED: DECEMBER 10, 2010	DRAWING NO.: M7.1
DRAWN BY: MC/JVS	
CHECKED BY: WAR	