

ROOM FINISH SCHEDULE																		
ROOM NUMBER	ROOM NAME	FLOOR		BASE		WALLS				CEILING			REMARKS					
		MATERIAL	FINISH	MATERIAL	FINISH	NORTH		SOUTH		EAST		WEST						
				MATERIAL	FINISH	MATERIAL	FINISH	MATERIAL	FINISH	MATERIAL	FINISH	MATERIAL		FINISH				
100	VESTIBULE	CONC	CT-1	---	CT-1	CB	FT-1	CB	FT-1	CB	FT-1	CB	FT-1	GB	PT-2	---	---	---
101	FOYER	CONC	CT-1	---	CT-1	CB	FT-1	CB	FT-1	CB	FT-1	CB	FT-1	CB	UP / GB	---	3000	BULKHEAD PT-2 (3000)
102	HC WR	CONC	CT-1	---	CT-1	CB	FT-1/2	FT-1	CB	FT-1/2	FT-1	CB	FT-1/2	FT-1	ACT	---	3000	---
103	CAPTAIN'S OFFICE	CONC	ASC	---	---	RUB2	CB	FT-1	CB	FT-1	CB	FT-1	CB	ACT	---	3000	---	
104	ELECTRICAL ROOM	CONC	SC	---	---	CB	FT-1	CB	FT-1	CB	FT-1	CB	FT-1	EXP	---	---	---	
105	MECHANICAL ROOM	CONC	SC	---	---	CB	FT-1	CB	FT-1	CB	FT-1	CB	FT-1	EXP	---	---	---	
106	EMS CORRIDOR	CONC	CT-1	---	CT-1	CB	FT-1	CB	FT-1	CB	FT-1	CB	FT-1	MESH / GB	---	3200	BULKHEAD PT-2 (3000)	
107	STATION OFFICER / DISPATCH	CONC	ASC	---	---	RUB2	CB	FT-1	CB	FT-1	CB	FT-1	CB	ACT / GB	---	3200	BULKHEAD PT-2 (3000)	
108	COMPUTER STUDY	CONC	ASC	---	---	RUB2	CB	FT-1	CB	FT-1	CB	FT-1	CB	ACT / GB	---	3200	BULKHEAD PT-2 (3000)	
109	CORRIDOR	CONC	CT-1	---	CT-1	CB	FT-1	CB	FT-1	CB	FT-1	CB	FT-1	MESH	---	---	---	
110	JANITOR ROOM	CONC	SC	---	---	RUB2	CB	FT-1	CB	FT-1	CB	FT-1	CB	EXP	---	---	---	
111	MEN'S WASHROOM	CONC	CT-1	---	CT-1	CB	FT-1	CB	FT-1	CB	FT-1	CB	FT-1	ACT / GB	---	3000	BULKHEAD PT-2 (3000) PT-6 ON SOUTH B.B. WALL	
111A	MEN'S SHOWER	CONC	CT-1	---	CT-1	CB	FT-1/2	FT-1	CB	FT-1/2	FT-1	CB	FT-1/2	FT-1	CTBD	PT-2	3000	CT-2 ON FLOOR OF INDIVIDUAL SHOWER STALL
112	RESERVED	---	---	---	---	---	---	---	---	---	---	---	---	---	---	---	---	---
113	RESERVED	---	---	---	---	---	---	---	---	---	---	---	---	---	---	---	---	---
114	WOMAN'S WASHROOM	CONC	CT-1	---	CT-1	CB	FT-1/2	FT-1	CB	FT-1/2	FT-1	CB	FT-1/2	FT-1	ACT / GB	---	3200	BULKHEAD PT-2 (3000) PT-1 ON SOUTH B.B. WALL
114A	WOMEN'S SHOWER	CONC	CT-1	---	CT-1	CB	FT-1/2	FT-1	CB	FT-1/2	FT-1	CB	FT-1/2	FT-1	CTBD	PT-2	3000	CT-2 ON FLOOR OF INDIVIDUAL SHOWER STALL
115	LOUNGE / DAY ROOM	CONC	ASC	---	---	RUB2	CB	FT-1	CB	FT-1	CB	FT-1	CB	ACT / GB	---	3200	BULKHEAD PT-2 (3000)	
116	KITCHEN	CONC	CT-1	---	CT-1	CB	FT-1	CB	FT-1	CB	FT-1	CB	FT-1	ACT / GB	---	3200	BULKHEAD PT-2 (3000)	
117	CORRIDOR	CONC	CT-1	---	CT-1	CB	FT-1	CB	FT-1	CB	FT-1	CB	FT-1	MESH	---	---	---	
118	DORM #1	CONC	ASC	---	---	RUB2	CB	FT-1	CB	FT-1	CB	FT-1	CB	ACT	---	3000	---	
119	DORM #2	CONC	ASC	---	---	RUB2	CB	FT-1	CB	FT-1	CB	FT-1	CB	ACT	---	3000	---	
120	DORM #3	CONC	ASC	---	---	RUB2	CB	FT-1	CB	FT-1	CB	FT-1	CB	ACT	---	3000	---	
121	DORM #4	CONC	ASC	---	---	RUB2	CB	FT-1	CB	FT-1	CB	FT-1	CB	ACT	---	3000	---	
122	DORM #5	CONC	ASC	---	---	RUB2	CB	FT-1	CB	FT-1	CB	FT-1	CB	ACT	---	3000	---	
123	DORM #6	CONC	ASC	---	---	RUB2	CB	FT-1	CB	FT-1	CB	FT-1	CB	ACT	---	3000	---	
124	APPARATUS FLOOR	CONC	HD8C	---	---	CB	FT-1	CB	FT-1	CB	FT-1	CB	FT-1	EXP	PT-3	---	PT-8 ON WEST WALL RECESSES	
125	EXERCISE ROOM	CONC	RUB	---	---	RUB2	CB	FT-1	CB	FT-1	CB	FT-1	CB	EXP	---	---	---	
126	MAINTENANCE SHOP	CONC	HD8C	---	---	CB	FT-1	CB	FT-1	CB	FT-1	CB	FT-1	EXP	---	---	---	
127	TURN-OUT ROOM	CONC	HD8C	---	---	CB	FT-1	CB	FT-1	CB	FT-1	CB	FT-1	EXP	---	---	---	

ROOM FINISH AND DOOR SCHEDULE ABBREVIATION LEGEND:

ACT	SUSPENDED ACOUSTIC TILE	GL2A	TYPICAL THERMAL INSULATING GLASS UNIT TRIPLE GLAZED (CLEAR) LOWER NORTH AND EAST EXPOSURE	RUB	RUBBER FLOOR (MONDO ENDURANCE TILE)
ACT2	MOISTURE RESISTANT ACOUSTIC CEILING TILE	GL2B	TYPICAL THERMAL INSULATING GLASS UNIT TRIPLE GLAZED (CLEAR) LOWER SOUTH AND WEST EXPOSURE	RUB2	100 mm HIGH RUBBER BASE
AL	ALUMINUM	GL3	SPANDREL DARK GREEN SINGLE GLAZED UNIT TYPE 3	SC	SEALED CONCRETE - LIGHT GREY
ASC	ACID STAINED CONCRETE - COLOUR: BLACKFOOT	HD8C	HEAVY DUTY SEALED CONCRETE	UCT-1	CERAMIC WALL TILE - ARKITEKT - WHITE FIELD
CB	CONCRETE BLOCK	H1	HOLLOW METAL	UCT-2	CERAMIC WALL TILE - ARKITEKT - BLACK ACCENT
CT-1	CENTURA FLOOR TILE SLATE SERIES - DARK GREY FIELD	PL-3	WILSON ART SURFACES *1054-60 WILD CHERRY	UCT-3	CERAMIC WALL TILE - VITRA - WHITE FIELD
CT-2	CENTURA FLOOR TILE - FIELD - VITRA - GREY FIELD	PL-4	FORMICA 501 FOLKSTONE GRAFIX - (W/R COUNTER WINDOW SILLS)	UCT-4	CERAMIC WALL TILE - VITRA - GREY ACCENT
CTBD	CEMENT BOARD	PT-1	PAINT (CONCRETE BLOCK) - LIGHT GREY	UG	WIRED GLASS
CONC	POURED CONCRETE	PT-2	PAINT (DRYWALL BULKHEAD) - BEIGE	UP	WOOD PANEL
EXP	EXPOSED	PT-3	DRYFALLPAINT (APPARATUS CEILING) - WHITE		
SG	SAFETY GLASS	PT-4	PAINT (DOORS) - LIGHT GREY		
GB	GYPSUM BOARD	PT-5	PAINT (DOOR FRAMES) - DARK GREY		
GH1	GALVANIZED HOLLOW METAL	PT-6	ACCENT COLOUR - BLUE		
GL1A	TYPICAL THERMAL INSULATING GLASS UNIT TRIPLE GLAZED (TINTED) UPPER NORTH AND EAST EXPOSURE	PT-1	ACCENT COLOUR - RED		
GL1B	TYPICAL THERMAL INSULATING GLASS UNIT TRIPLE GLAZED (TINTED) UPPER SOUTH AND WEST EXPOSURE	PT-8	ACCENT COLOUR - YELLOW		

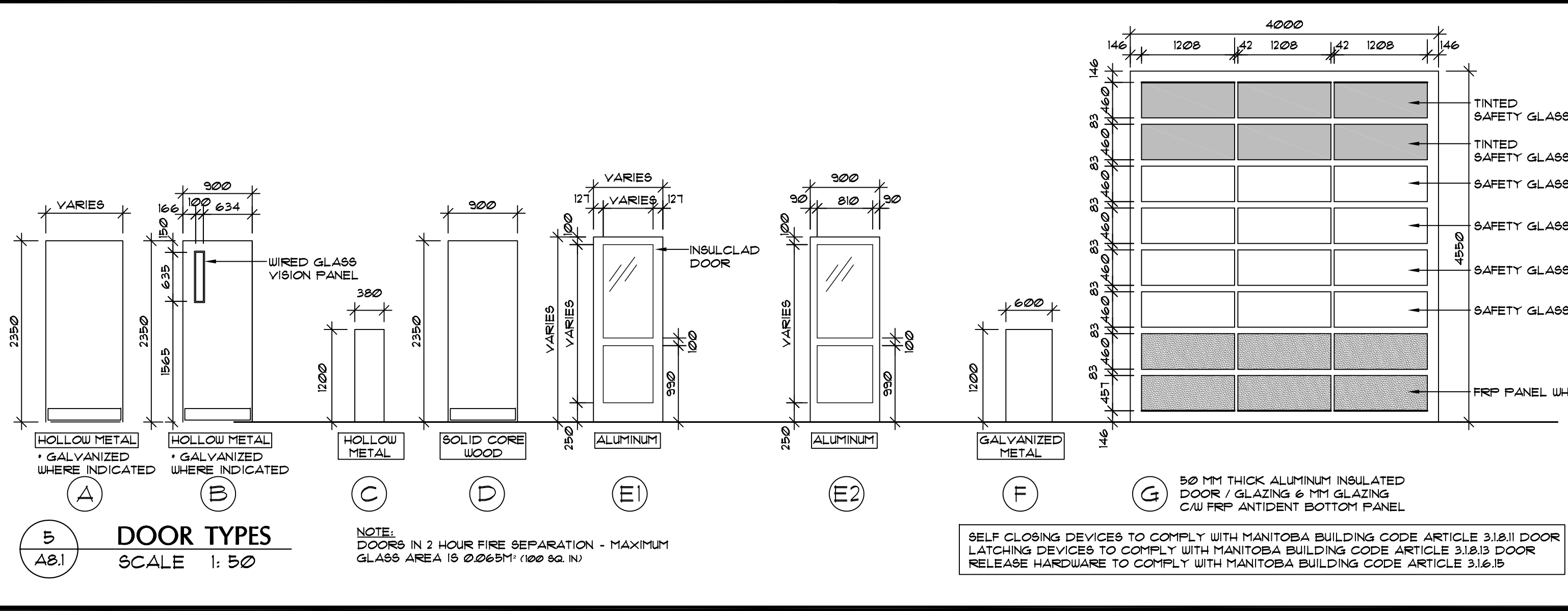
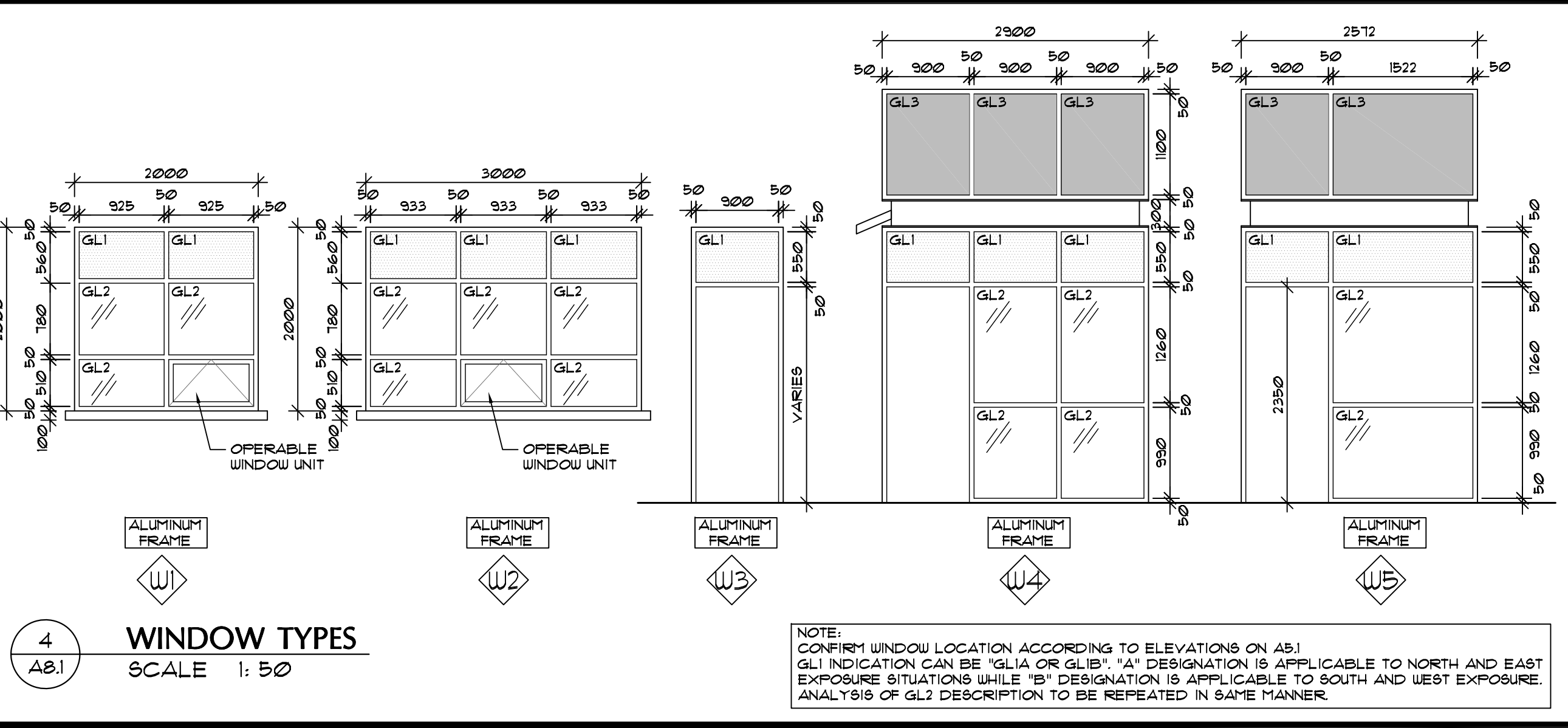
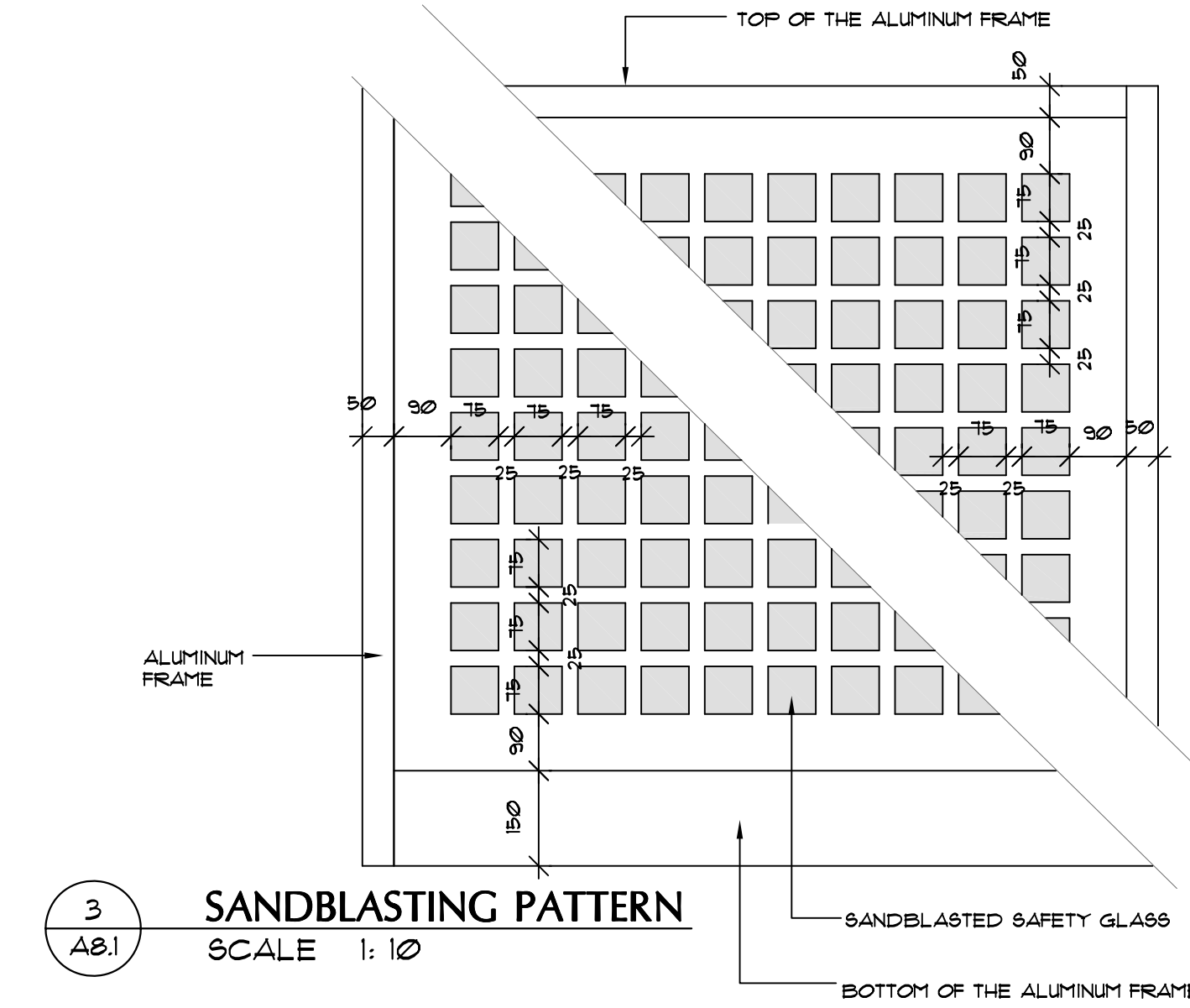
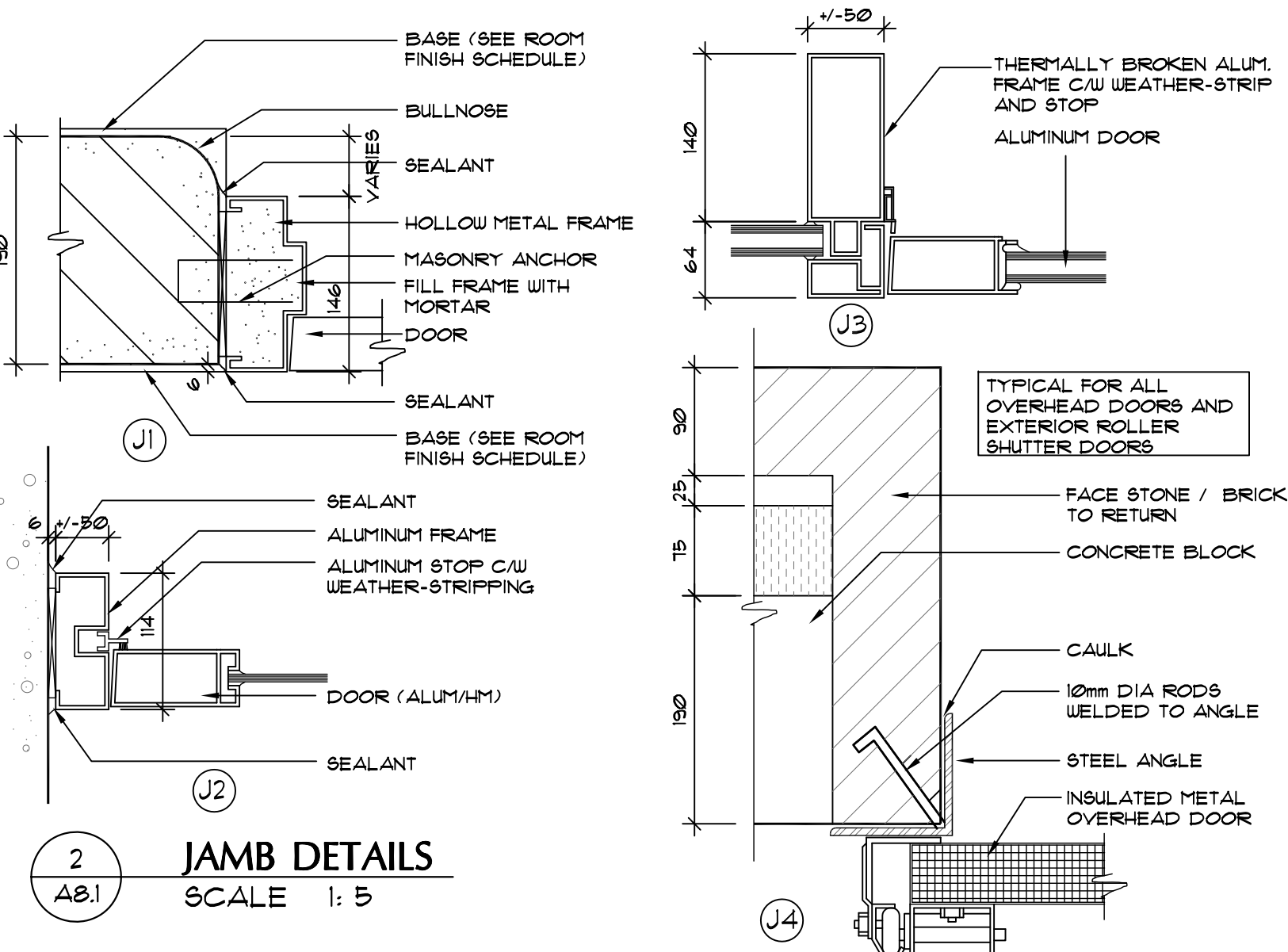
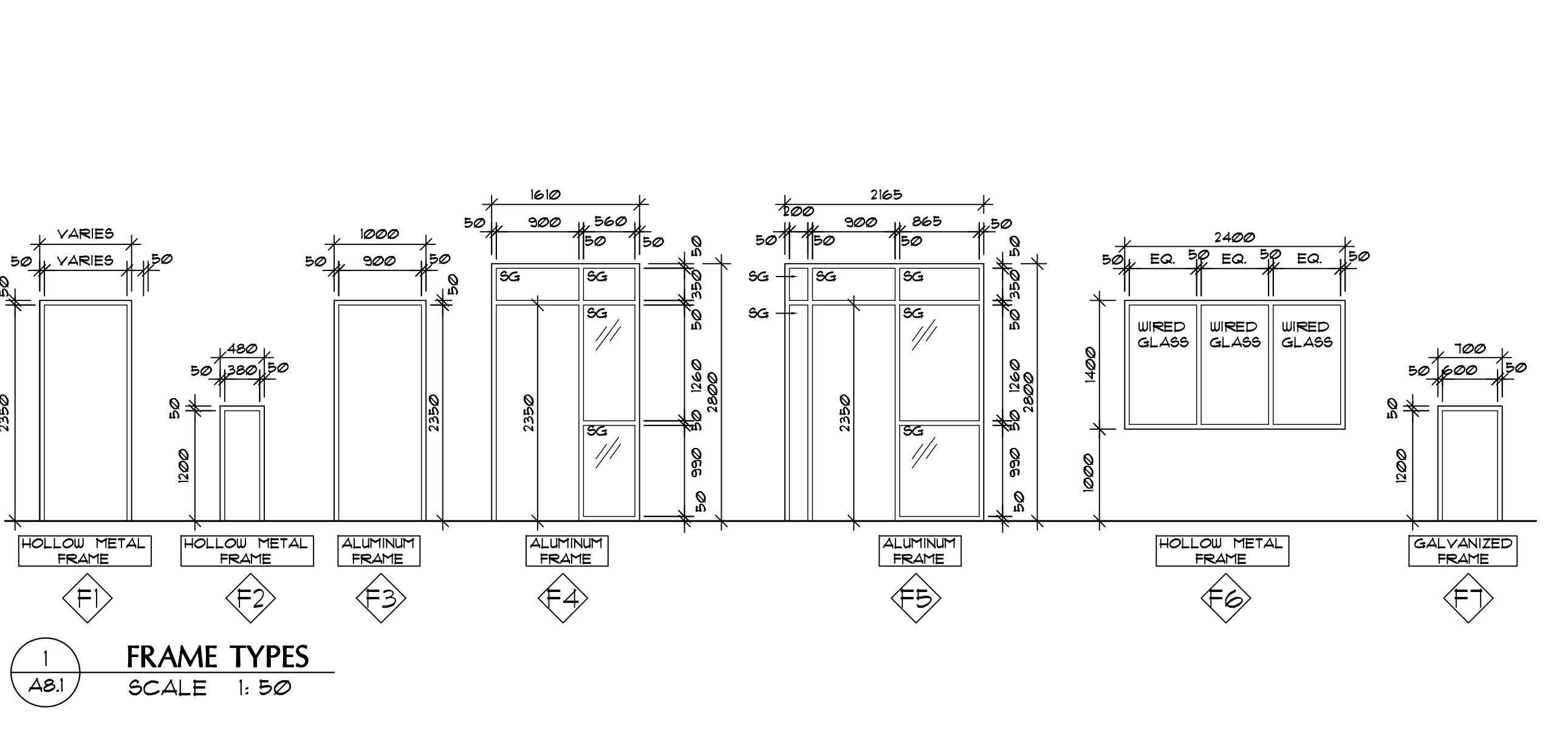
DOOR AND DOOR FRAME SCHEDULE																	
DOOR NUMBER	TYPE	DOOR			FRAME				REMARKS								
		SIZE			GLASS		TYPE			MATERIAL							
		WIDTH	HEIGHT	THICKNESS	MATERIAL	FINISH	TYPE	SIZE		MATERIAL	FINISH						
100-1	EI	900	2350	51	AL	AL	SG	---	U3	AL	AL	J2 / J3	---	---	---	INSULCLAD DOOR (MATCH GLI TINT)	
100-2	E2	900	2350	45	AL	AL	SG	---	U3	AL	AL	J2 / J3	---	---	---	---	
101-1	F	600	1200	45	GHM	PT-4	---	---	F1	GHM	PT-5	J1	---	---	---	---	
102-1	D	900	2350	45	SCW	FL-3	---	---	F1	HM	PT-5	J1	---	---	---	---	
102-2	C	380	1200	45	HM	PT-4	---	---	F2	HM	PT-5	J1	---	---	---	---	
103-1	D	900	2350	45	SCW	FL-3	---	---	F1	HM	PT-5	J1	---	---	---	15 HR	
105-1	A	1000	2350	45	HM	PT-4	---	---	F1	HM	PT-5	J1	---	---	---	3/4 HR	
106-1	B	900	2350	45	GHM	PT-4	U8G	---	F1	GHM	PT-5	J1	---	---	---	15 HR	
107-1	E2	900	2350	45	AL	AL	SG	---	F4	AL	AL	J2 / J3	---	---	---	SANDBLASTING PATTERN	
108-1	E2	900	2350	45	AL	AL	SG	---	F4	AL	AL	J2 / J3	---	---	---	SANDBLASTING PATTERN	
109-1	E2	900	2350	45	AL	AL	SG	---	F4	AL	AL	J2 / J3	---	---	---	SANDBLASTING PATTERN	
110-1	A	900	2350	45	HM	PT-4	---	---	F1	HM	PT-5	J1	---	---	---	3/4 HR	
111-1	D	900	2350	45	SCW	FL-3	---	---	F1	HM	PT-5	J1	---	---	---	---	
111-2	C	380	1200	45	HM	PT-4	---	---	F2	HM	PT-5	J1	---	---	---	---	
111-3	---	---	---	---	---	---	---	---	---	---	---	---	---	---	---	---	---
111-4	---	---	---	---	---	---	---	---	---	---	---	---	---	---	---	---	---
111-5	---	---	---	---	---	---	---	---	---	---	---	---	---	---	---	---	---
114-1	D	900	2350	45	SCW	FL-3	---	---	F1	HM	PT-5	J1	---	---	---	---	
114-2	C	380	1200	45	HM	PT-4	---	---	F2	HM	PT-5	J1	---	---	---	---	
114-3	---	---	---	---	---	---	---	---	---	---	---	---	---	---	---	---	---
114-4	---	---	---	---	---	---	---	---	---	---	---	---	---	---	---	---	---
114-5	---	---	---	---	---	---	---	---	---	---	---	---	---	---	---	---	---
114-6	F	600	1200	45	GHM	PT-4	---	---	F1	GHM	PT-5	J1	---	---	---	---	
115-1	E1	925	2350	51	AL	AL	SG	---	U4	AL	AL	J2 / J3	---	---	---	INSULCLAD DOOR (MATCH GLI TINT)	
116-1	B	900	2350	45	GHM	PT-4	U8G	---	F1	GHM	PT-5	J1	---	---	---	15 HR	
117-1	B	900	2350	45	GHM	PT-4	U8G	---	F1	GHM	PT-5	J1	---	---	---	15 HR	
118-1	D	900	2350	45	SCW	FL-3	---	---	F1	HM	PT-5	J1	---	---	---	15 HR	
119-1	D	900	2350	45	SCW	FL-3	---	---	F1	HM	PT-5	J1	---	---	---	15 HR	
120-1	D	900	2350	45	SCW	FL-3	---	---	F1	HM	PT-5	J1	---	---	---	15 HR	
121-1	D	900	2350	45	SCW	FL-3	---	---	F1	HM	PT-5	J1	---	---	---	15 HR	
122-1	D	900	2350	45	SCW	FL-3	---	---	F1	HM	PT-5	J1	---	---	---	15 HR	
123-1	D	900	2350	45	SCW	FL-3	---	---	F1	HM	PT-5	J1	---	---	---	15 HR	
124-1	G	4000	4550	50	AL	AL	---	---	---	AL	AL	J4	---	---	---	---	
124-2	G	4000	4550	50	AL	AL	---	---	---	AL	AL	J4	---	---	---	---	
124-3	E1	900	2400	51	AL	AL	SG	---	U3	AL	AL	J2	---	---	---	INSULCLAD DOOR (MATCH GLI TINT)	
124-4	E1	900	2400	51	AL	AL	SG	---	U3	AL	AL	J2	---	---	---	INSULCLAD DOOR (MATCH GLI TINT)	
124-5	G	4000	4550	50	AL	AL	---	---	---	AL	AL	J4	---	---	---	---	
124-6	G	4000	4550	50	AL	AL	---	---	---	AL	AL	J4	---	---	---	---	
124-7	F	600	1200	45	GHM	PT-4	---	---	F1	GHM	PT-5	J1	---	---	---	---	
124-8	F	600	1200	45	GHM	PT-4	---	---	F1	GHM	PT-5	J1	---	---	---	---	
125-1	A	1000	2350	45	GHM	PT-4	---	---	F1	GHM	PT-5	J1	---	---	---	---	
127-1	B	900	2350	45	GHM	PT-4	---	---	F1	GHM	PT-5	J1	---	---	---	---	

ISSUES:

1	APRIL 2010	PHASE 1 - 10% COMPLETION
2	MAY 14, 2010	PHASE 2 - 80% COMPLETION
3	SEPT 15, 2010	PHASE 3 - BUILDING PERMIT PRELIMINARY REVIEW
4	SEPT 29, 2010	ISSUED FOR BUILDING PERMIT / TENDER

© COPYRIGHT MURPHY & MURPHY ARCHITECT 2010
NOT TO BE REPRODUCED WITHOUT CONSENT OF ARCHITECT.

CORPORATE STAMP: MURPHY & MURPHY ARCHITECT INC. No. 145
ARCHITECT'S STAMP: DAVID R. MURPHY REGISTERED ARCHITECT



MURPHY & MURPHY ARCHITECT INC.
775 WATERLOO STREET, LONDON, ONTARIO N6A 3W5
PH: (519) 433-5161 FAX: (519) 433-5163

CONTRACTOR SHALL CHECK ALL DIMENSIONS ON THE DRAWINGS AND REPORT ANY DISCREPANCIES TO THE ARCHITECT BEFORE PROCEEDING. ALL DRAWINGS AND SPECIFICATIONS ARE PROPERTY OF THE ARCHITECT AND MUST BE RETURNED AT THE COMPLETION OF THE WORK. DRAWINGS ARE NOT TO BE SCALED. USE ONLY THE LATEST REVISED DRAWINGS OR THOSE THAT ARE MARKED "ISSUED FOR CONSTRUCTION". ANY UNAUTHORIZED USE IS PROHIBITED. AREA CALCULATIONS ARE APPROXIMATE.

PROJECT NAME: **NEW WINNIPEG STATION No. 27 PROJECT**

SAGE CREEK, WINNIPEG, MANITOBA

DRAWING TITLE: **ROOM FINISH SCHEDULE / DOOR FINISH SCHEDULE**

PROJECT NORTH: [] STAMP: []

SCALE: AS NOTED PROJECT NO: **2261**

DATE: MARCH 2010 FILE NAME:

ISSUED: SEPTEMBER 29, 2010 DRAWING NO: **A8.1**

DRAWN BY: MTR

CHECKED BY: DRM