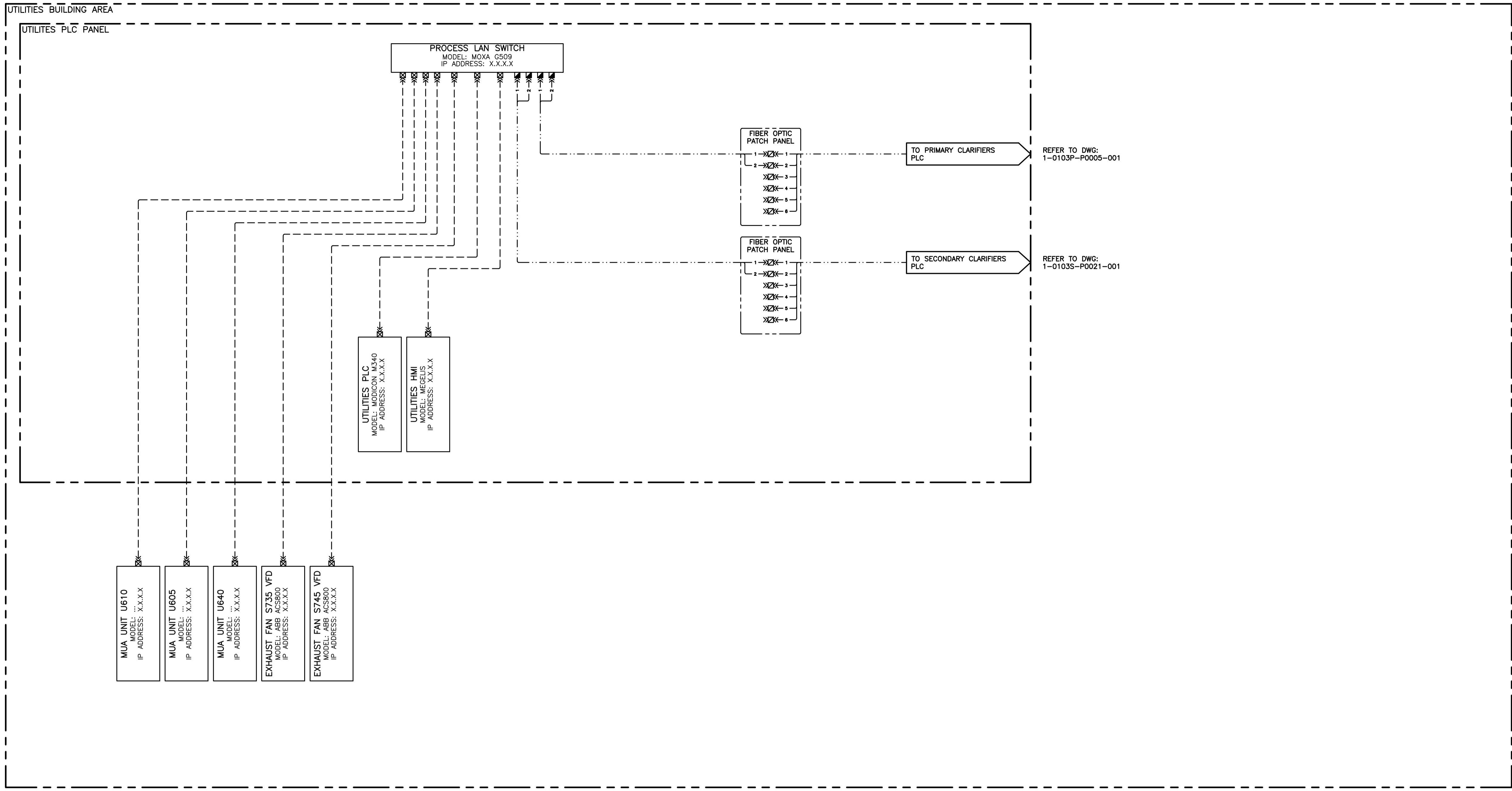


File Name: P:\Projects\2009\09-0754-08\DocControl\ToBeIssued\DWG\ELECTRICAL\1-0103V-P0005-001-Rev 00.dwg - Tab: 1-0103V-P0005-001 Plotted By: GNeilson 12/16/2010 [Thu 4:12pm]



1. -
- RJ45 CONNECTOR
  - ST CONNECTOR
  - LC CONNECTOR
  - SC CONNECTOR
  - TERMINAL STRIP
  - 62.5/125 MULTIMODE
  - CAT5e ETHERNET

**APEGN**  
Certificate of Authorization  
KGS Group  
No. 245 Date: 2010/12/21

**KGS GROUP**  
CONSULTING ENGINEERS

B.M. ELEV.	FIELD BOOK #:
POSTED TO LBIS	
00	ISSUED FOR TENDER 2010-12-21 REW
01	REVISIONS

**ALLIANCE**  
Engineering Services Inc.

DESIGNED BY DDW	CHECKED BY REW
DRAWN BY MMP	APPROVED BY REW
HDR. SCALE N.T.S.	RELEASED FOR CONSTRUCTION
VERTICAL N.T.S.	
2009 09 29	

ENGINEER'S SEAL

TENDER No. UE6.11  
FILENAME: 1-0103V-P0005-001-Rev 00.dwg  
PLOT DATE: 2010/12/16

**THE CITY OF WINNIPEG**  
WATER AND WASTE DEPARTMENT

2010 HVAC REPLACEMENT AND ASSOCIATED WORKS  
**WEWPCC**  
AREA U - UTILITY BUILDING NETWORK SYSTEM ARCHITECTURE

SHEET 1 OF 1  
CITY DRAWING NUMBER  
1-0103V-P0005-001