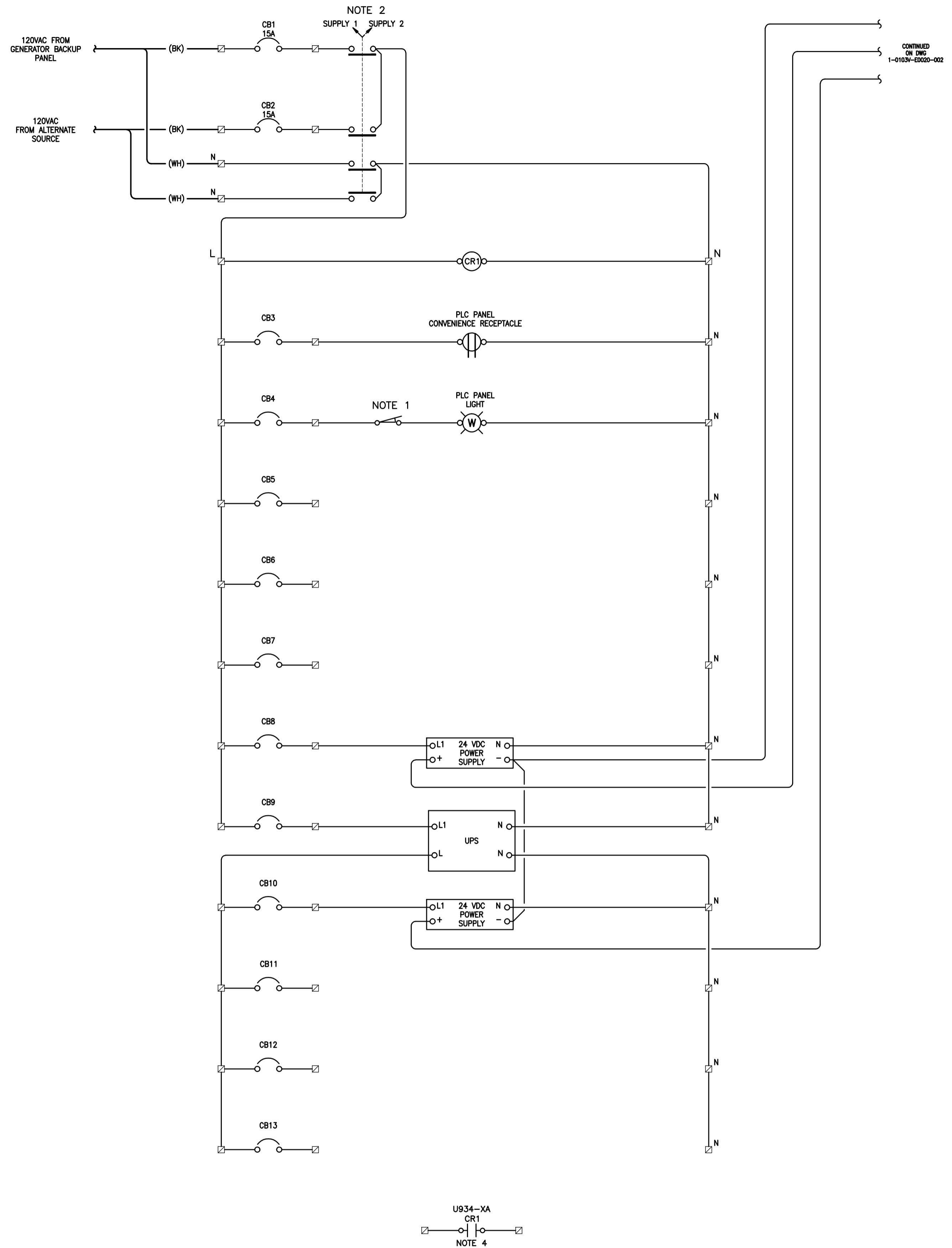
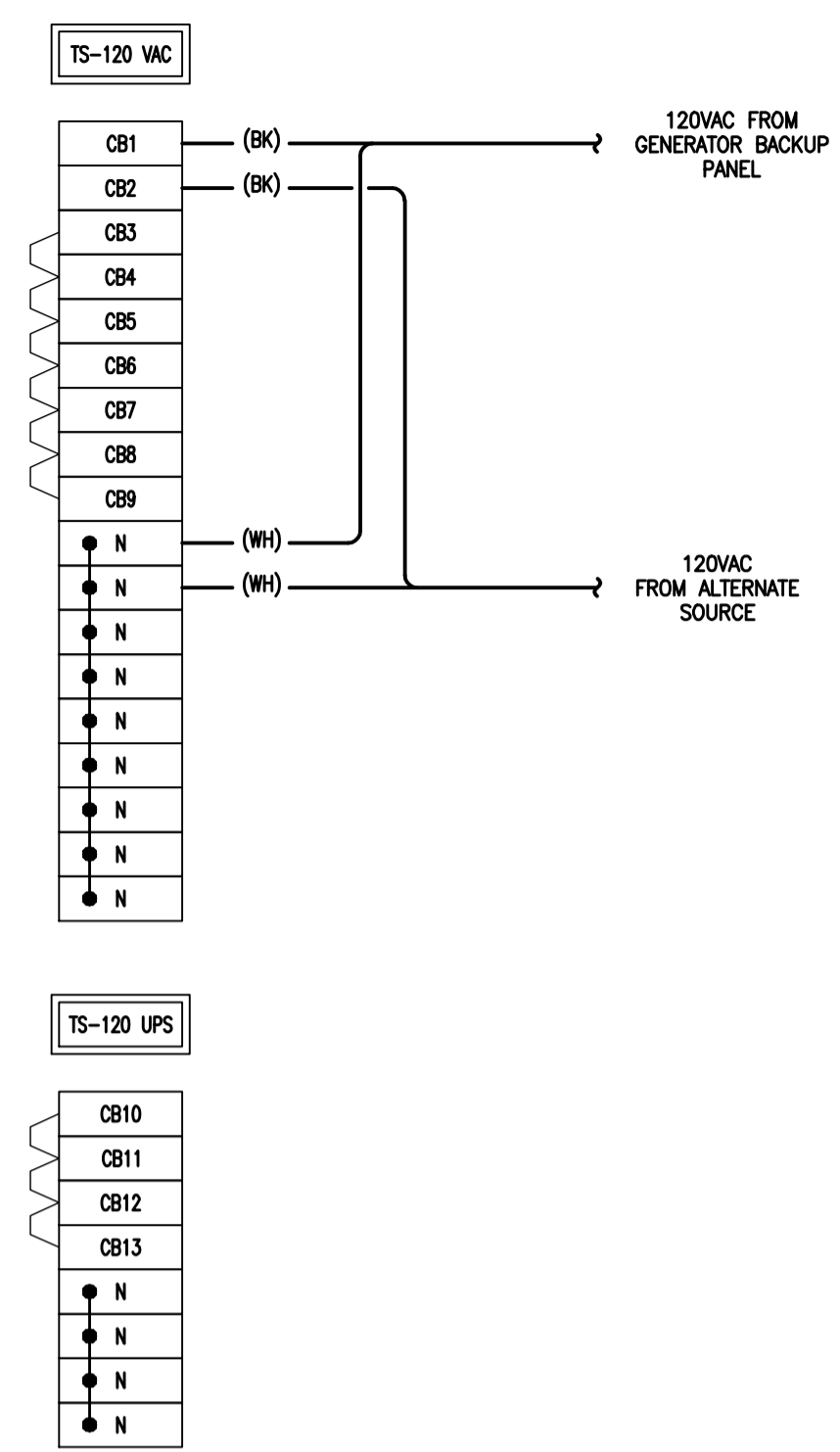


CW-9-M564-1  
 File Name: P:\Projects\2009\09-0754-08\Dwg\Elec\1-0103V-E0020-001.dwg - Tab: 1-0103V-E0020-001 Plotted By: GNelson 12/22/2010 [Wed 9:57am]



CONTINUED  
 ON DWG  
 1-0103V-E0020-002



- NOTES:**
- DOOR MOUNTED LIMIT SWITCH TO ACTIVATE LIGHT WHEN PANEL DOOR IS OPENED.
  - POWER SUPPLY SELECTION SWITCH SHALL BE MOUNTED TO THE INTERIOR OF THE PLC PANEL.
  - CIRCUIT BREAKERS SHALL BE WEIDMULLER CB4200 SERIES CIRCUIT BREAKERS OR APPROVED EQUAL, IN ACCORDANCE WITH B6.
  - REFER TO DRAWING 1-0103V-A0002-002 FOR CONNECTION DETAILS ON POWER STATUS.

- LEGEND**
- DEVICE TERMINALS
  - ▣ PLC TERMINALS
  - FIELD WIRING
  - PANEL WIRING
  - ( ) CONDUCTOR IDENTIFICATION
  - WIRE CONNECTION
  - ⊙ PILOT LIGHT
  - ETM ELAPSED TIME METER
  - ◁ OUTPUT ▷ PLC OUTPUT
  - ▷ INPUT ◁ PLC INPUT

**APEGN**  
 Certificate of Authorization  
 KGS Group  
 No. 245 Date: 2010/12/21

**KGS GROUP**  
 CONSULTING ENGINEERS

B.M. ELEV.	FIELD BOOK #:
POSTED TO LBIS	
00 ISSUED FOR TENDER	2010-12-21 REW
NO. REVISIONS	DATE BY

**ALLIANCE**  
 Engineering Services Inc.

DESIGNED BY REW/DDW	CHECKED BY REW
DRAWN BY MMP	APPROVED BY REW
HDR. SCALE N.T.S.	RELEASED FOR CONSTRUCTION
VERTICAL N.T.S.	
DATE 2010 07 02	DATE

ENGINEER'S SEAL  
  
 TENDER No. UE6.13  
 FILENAME: 1-0103V-E0020-001.dwg  
 PLOT DATE: 2010/12/22

**THE CITY OF WINNIPEG**  
 WATER AND WASTE DEPARTMENT

2010 HVAC REPLACEMENT AND ASSOCIATED WORKS  
**WEWPC**  
 AREA U - UTILITY BUILDING  
 PLC PANEL POWER SCHEMATIC

SHEET 1 OF 2  
 CITY DRAWING NUMBER  
 1-0103V-E0020-001