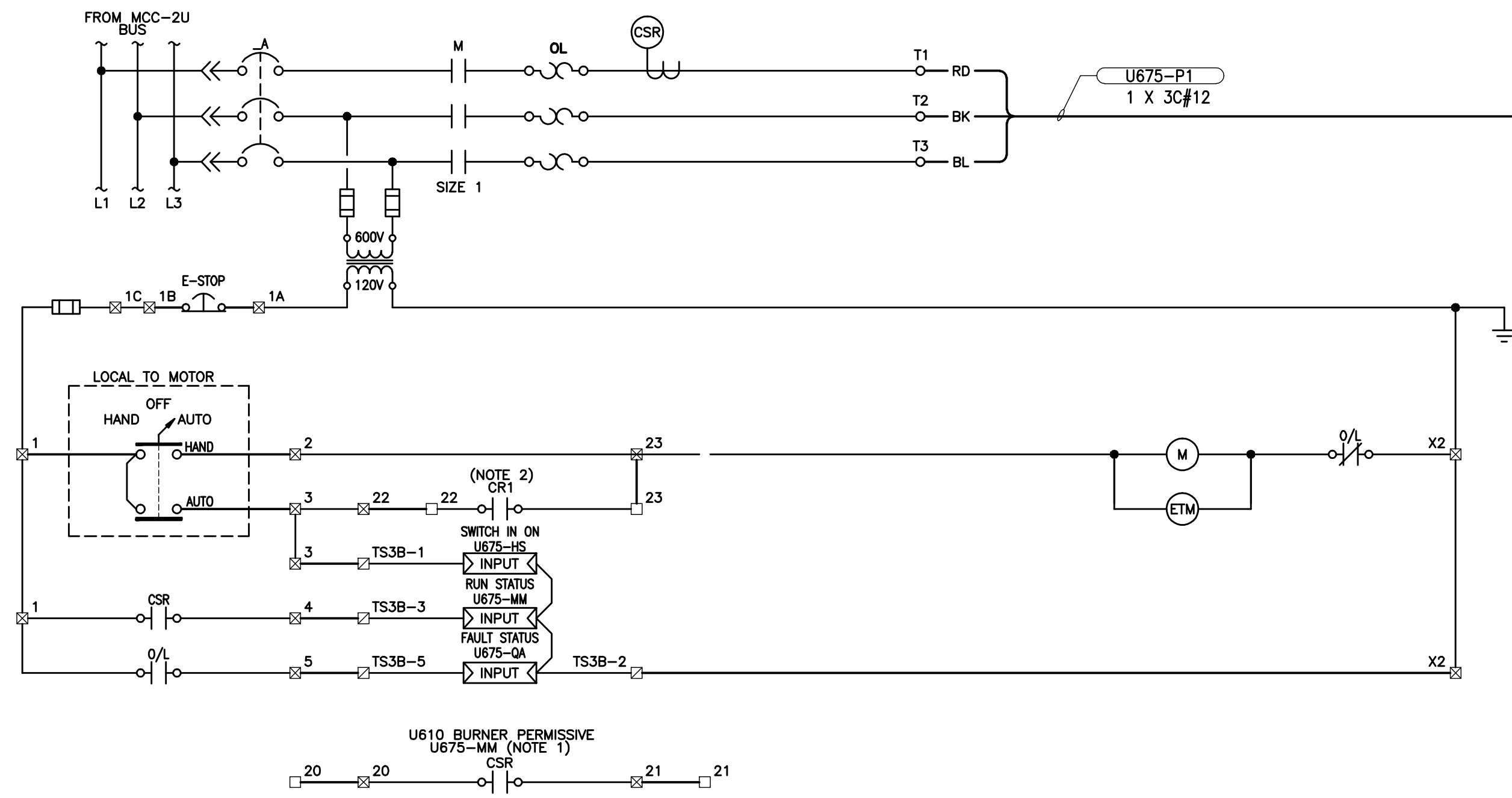


File Name: P:\Projects\2009\09-0754-08\DocControl\ToBeIssued\DWG\ELECTRICAL\1-0103V-E0016-001-Rev 00.dwg - Tab: 1-0103V-E0016-001-Rev 00.dwg - Thu 4:21pm



**LEGEND**

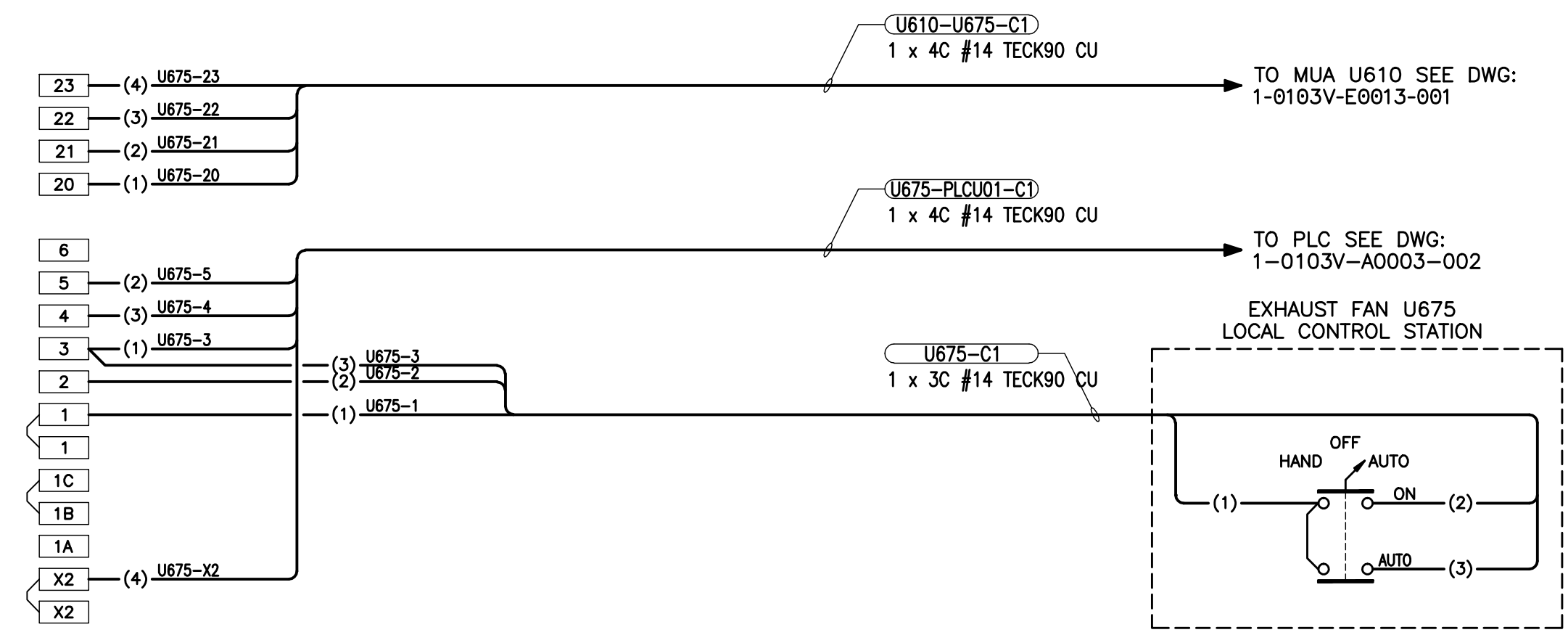
- ☒ PLC TERMINALS
- ☒ EF U675 STARTER TERMINALS
- MUA U610 TERMINALS
- FIELD WIRING
- PANEL WIRING
- ( ) CONDUCTOR IDENTIFICATION
- WIRE CONNECTION
- ⊙ PILOT LIGHT
- ETM ELAPSED TIME METER
- ▶ OUTPUT
- ◀ INPUT

**NOTES:**

1. CONTACT CLOSES WHEN ADEQUATE CURRENT IS DRAWN TO PROVE EXHAUST FAN IS RUNNING.
2. REFER TO DRAWING 1-0103V-E0013-001 FOR DETAILS ON CR1 CONTROL RELAY.

**CONSTRUCTION NOTES:**

1. REPLACE EXISTING STARTER WRAPPER WITH NEW WITH FEATURES SHOWN ON SCHEMATIC.



 Certificate of Authorization KGS Group No. 245 Date: 2010/12/21		B.M. ELEV. . . . . POSTED TO LBIS	FIELD BOOK #: . . . . .		ENGINEER'S SEAL 	 2010 HVAC REPLACEMENT AND ASSOCIATED WORKS <b>WEWPC</b> AREA U - UTILITY BUILDING EF=U675 FVNR SCHEMATIC & WIRING DIAGRAM	SHEET 1 OF 1 CITY DRAWING NUMBER 1-0103V-E0016-001
		DESIGNED BY DDW CHECKED BY REW DRAWN BY GCN APPROVED BY REW HDR. SCALE N.T.S. RELEASED FOR CONSTRUCTION VERTICAL N.T.S.		TENDER No. UE6.8 FILENAME: 1-0103V-E0016-001-Rev 00.dwg PLOT DATE: 2010/12/16			
		00 ISSUED FOR TENDER 2010-12-21 REW NO. REVISIONS DATE BY		2009 09 29			