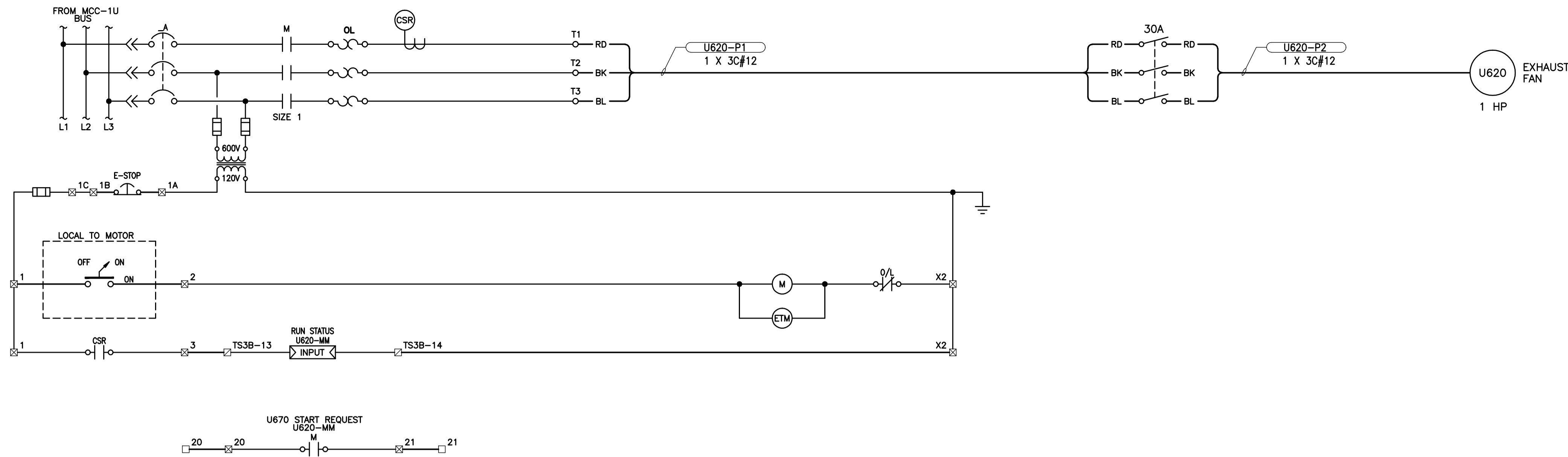


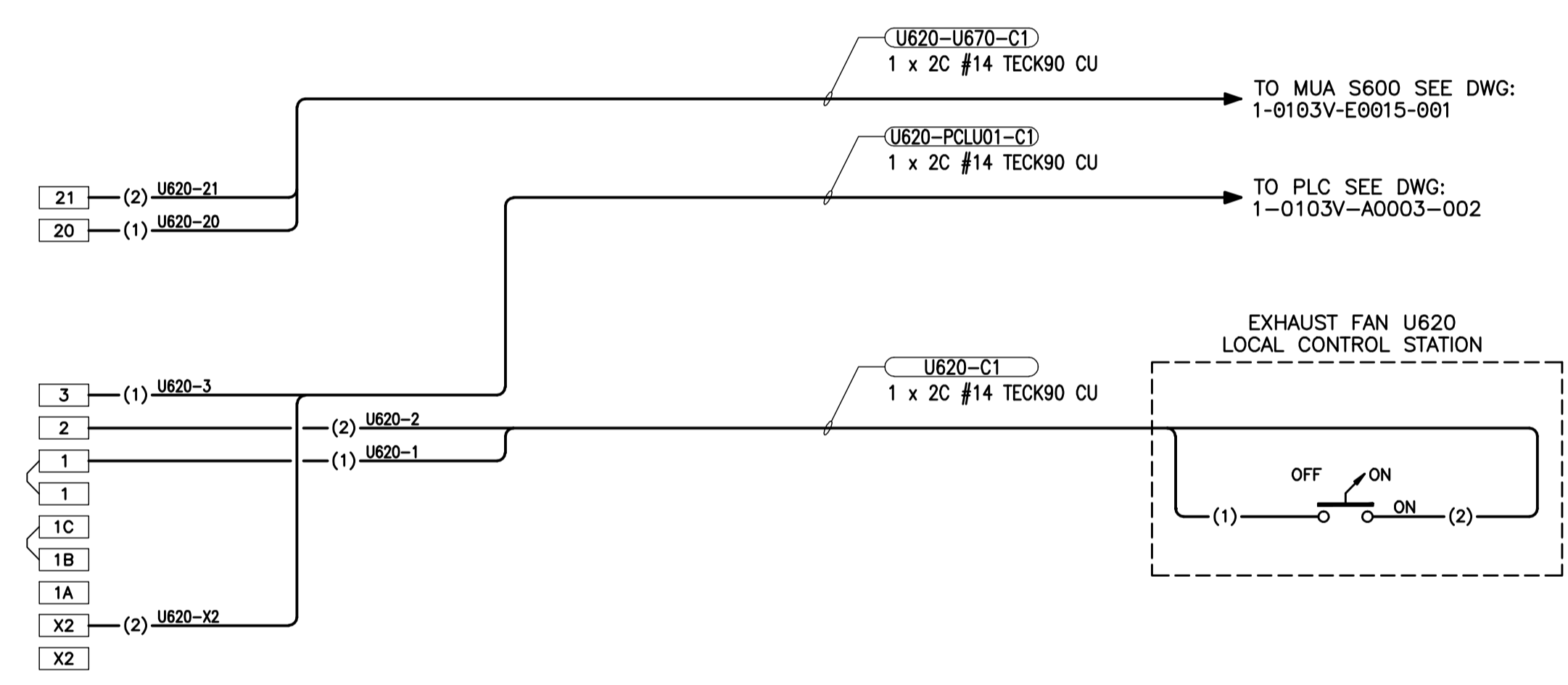
CW-9-M564-1
 File Name: P:\Projects\2009\09-0754-08\Doc\Control\ToBeIssued\DWG\ELECTRICAL\1-0103V-E0014-001-Rev 00.dwg - Tab: 1-0103V-E0014-001-Rev 00.dwg - Thu 4:22pm



- LEGEND**
- ☐ PLC TERMINALS
 - ☐ STARTER TERMINALS
 - ☐ MUA U670 TERMINALS
 - FIELD WIRING
 - PANEL WIRING
 - () CONDUCTOR IDENTIFICATION
 - WIRE CONNECTION
 - ⊙ PILOT LIGHT
 - ETM ELAPSED TIME METER
 - ◀ OUTPUT ▶ PLC OUTPUT
 - ▶ INPUT ◀ PLC INPUT

- NOTES:**
- CONTACT CLOSES WHEN ADEQUATE CURRENT IS DRAWN TO PROVE EXHAUST FAN IS RUNNING.

- CONSTRUCTION NOTES:**
- REPLACE EXISTING STARTER WRAPPER WITH NEW WITH FEATURES SHOWN ON SCHEMATIC.



 Certificate of Authorization KGS Group No. 245 Date: 2010/12/21		B.M. ELEV. .	FIELD BOOK #:		ENGINEER'S SEAL			2010 HVAC REPLACEMENT AND ASSOCIATED WORKS WEWPCC AREA U - UTILITY BUILDING SP=U620 FVNR SCHEMATIC & WIRING DIAGRAM	SHEET 1 OF 1
		DESIGNED BY DDW	CHECKED BY REW		TENDER No. UE6.6				CITY DRAWING NUMBER
		POSTED TO LBIS		DRAWN BY GCN	APPROVED BY REW	FILENAME: 1-0103V-E0014-001-Rev 00.dwg	2010 HVAC REPLACEMENT AND ASSOCIATED WORKS WEWPCC AREA U - UTILITY BUILDING SP=U620 FVNR SCHEMATIC & WIRING DIAGRAM		
				HDR. SCALE N.T.S.	RELEASED FOR CONSTRUCTION	PLDT DATE: 2010/12/16			
				VERTICAL N.T.S.					
				00 ISSUED FOR TENDER	2010-12-21				
				NO. REVISIONS	DATE	2009 09 29			