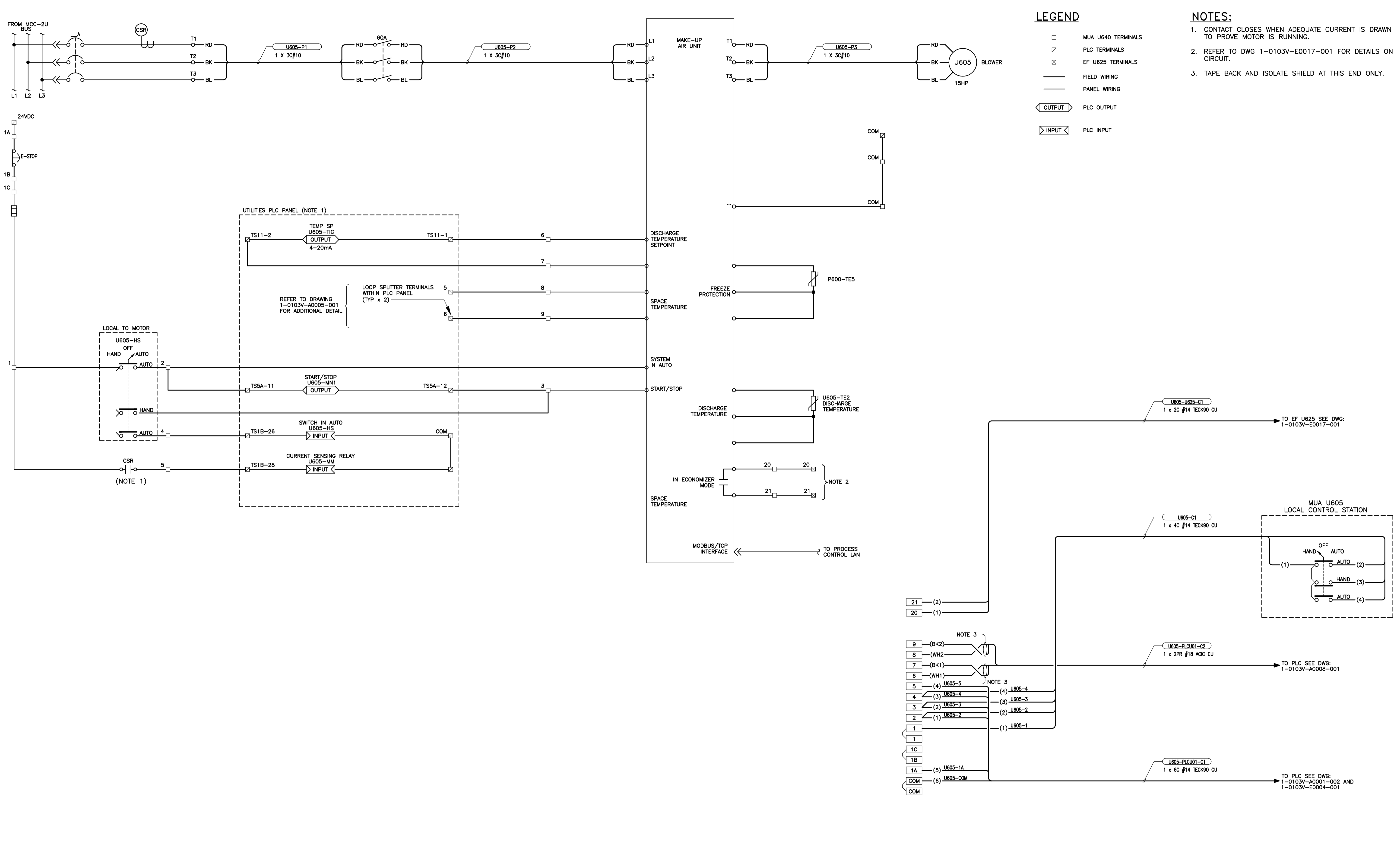


File Name: P:\Projects\2009\09-0754-08\DocControl\ToBeIssued\DWG\ELECTRICAL\1-0103V-E0012-001-Rev 00.dwg - Tab: 1-0103V-E0012-001-Rev 00.dwg - Tab: 1-0103V-E0012-001-Rev 00.dwg - Tab: 1-0103V-E0012-001-Rev 00.dwg - Tab: 1-0103V-E0012-001-Rev 00.dwg

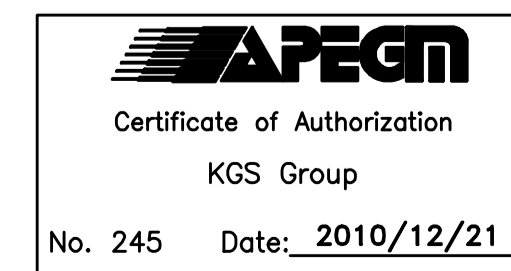


LEGEND

- MUA U640 TERMINALS
- PLC TERMINALS
- EF U625 TERMINALS
- FIELD WIRING
- PANEL WIRING
- OUTPUT
- INPUT
- PLC OUTPUT
- PLC INPUT

- NOTES:**
1. CONTACT CLOSURES WHEN ADEQUATE CURRENT IS DRAWN TO PROVE MOTOR IS RUNNING.
 2. REFER TO DWG 1-0103V-E0017-001 FOR DETAILS ON CIRCUIT.
 3. TAPE BACK AND ISOLATE SHIELD AT THIS END ONLY.

REFERENCE DRAWINGS:



B.M. ELEV.	FIELD BOOK #:
POSTED TO LBIS	
00 ISSUED FOR TENDER	2010-12-21 REW
ND. REVISIONS	DATE BY

ALLIANCE
Engineering Services Inc.

DESIGNED BY: REW/DDW	CHECKED BY: REW
DRAWN BY: GCN	APPROVED BY: REW
HDR. SCALE: N.T.S.	RELEASED FOR CONSTRUCTION
VERTICAL: N.T.S.	
DATE: 2010 07 15	DATE:

ENGINEER'S SEAL

TENDER No. UE6.4
 FILENAME: 1-0103V-E0012-001-Rev 00.dwg
 PLOT DATE: 2010/12/16

THE CITY OF WINNIPEG
WATER AND WASTE DEPARTMENT

2010 HVAC REPLACEMENT
AND ASSOCIATED WORKS
WEWPC
AREA U - UTILITY BUILDING
MUA-U605, MCC-2U SCHEMATIC & WIRING DIAGRAM

SHEET 1 OF 1
CITY DRAWING NUMBER
1-0103V-E0012-001