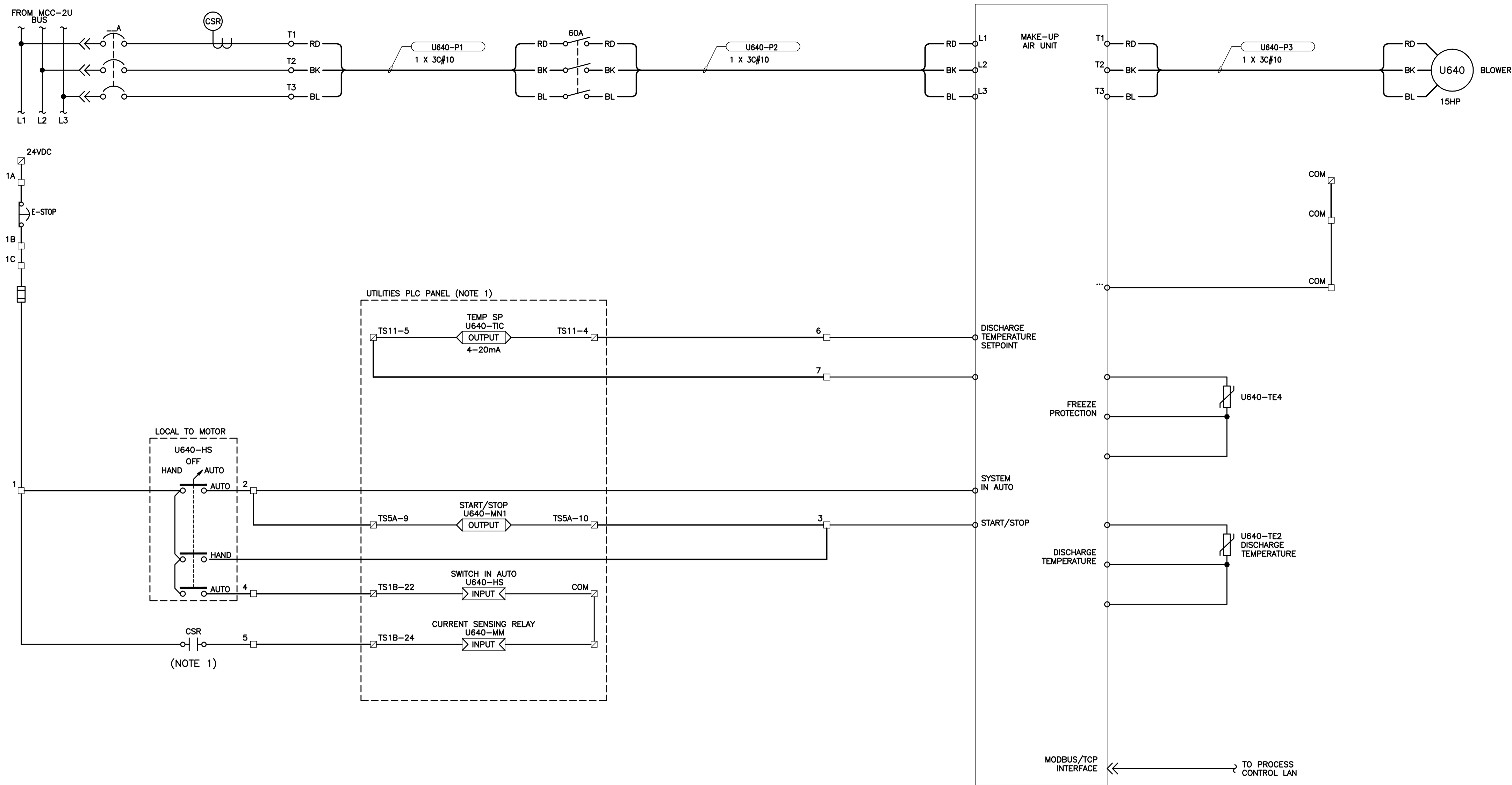
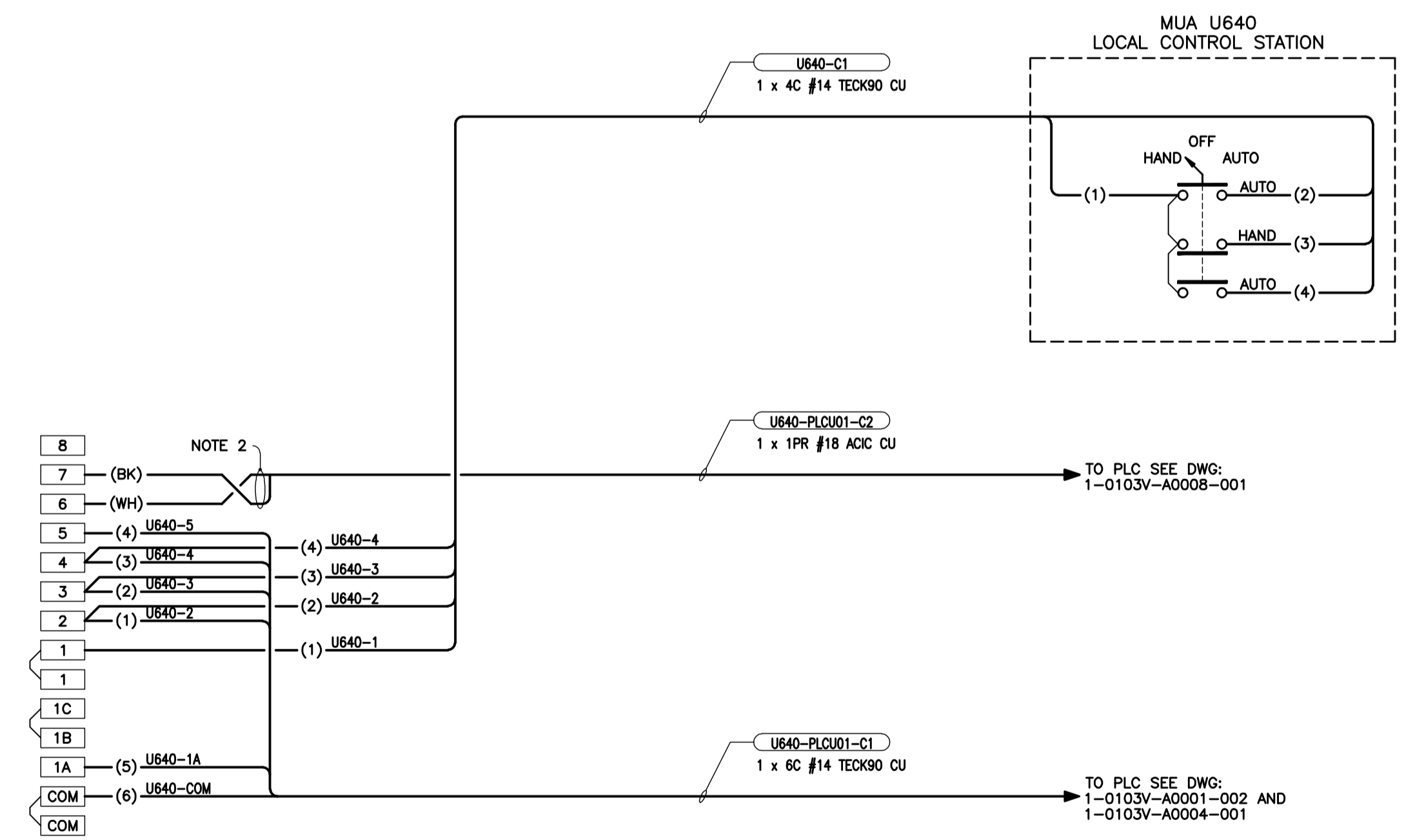


File Name: P:\Projects\2009\09-0754-08\DocControl\ToBeIssued\DWG\ELECTRICAL\1-0103V-E001-001-Rev 00.dwg - Tab: 1-0103V-E001-001-Rev 00.dwg - Thu 4:24pm



- LEGEND**
- MUA U640 TERMINALS
  - ▣ PLC TERMINALS
  - FIELD WIRING
  - PANEL WIRING
  - ◁ OUTPUT ▷ PLC OUTPUT
  - ▷ INPUT ◁ PLC INPUT

- NOTES:**
1. CONTACT CLOSES WHEN ADEQUATE CURRENT IS DRAWN TO PROVE MOTOR IS RUNNING.
  2. TAPE BACK AND ISOLATE SHIELD AT THIS END ONLY.



**REFERENCE DRAWINGS:**

|   |  |                                |                    |   |  |  |   |
|---|--|--------------------------------|--------------------|---|--|--|---|
| <br>Certificate of Authorization<br>KGS Group<br>No. 245 Date: 2010/12/21 |  | B.M. ELEV. .<br>POSTED TO LBIS | FIELD BOOK #:<br>. | <br>DESIGNED BY: REW/DDW<br>CHECKED BY: REW<br>DRAWN BY: GCN<br>APPROVED BY: REW<br>HDR. SCALE: N.T.S.<br>VERTICAL: N.T.S.<br>00 ISSUED FOR TENDER 2010-12-21 REW<br>01 REVISIONS DATE BY | ENGINEER'S SEAL<br><br>TENDER No. UE6.3<br>FILENAME: 1-0103V-E001-001-Rev<br>PLOT DATE: 2010/12/16 | <br>2010 HVAC REPLACEMENT AND ASSOCIATED WORKS<br><b>WEWPC</b><br>AREA U - UTILITY BUILDING<br>MUA-U640, MCC-2U SCHEMATIC & WIRING DIAGRAM | SHEET 1 OF 1<br>CITY DRAWING NUMBER<br>1-0103V-E001-001 |
|---|--|--------------------------------|--------------------|---|--|--|---|