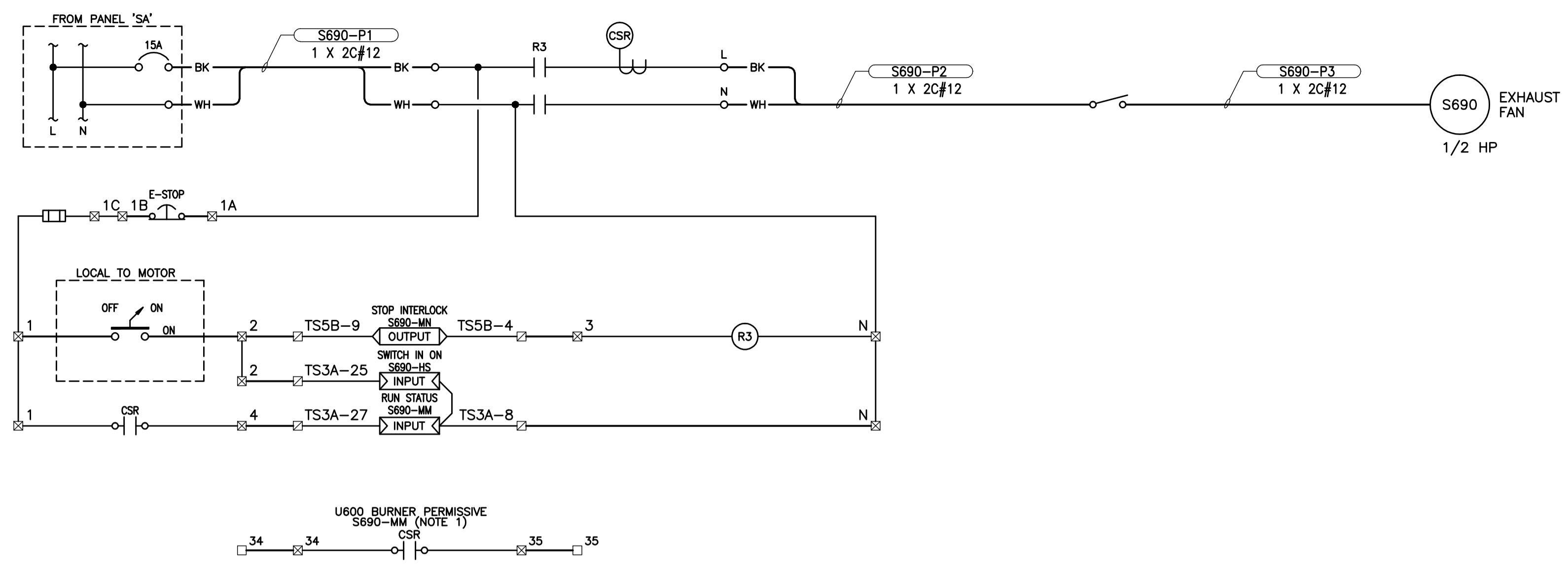


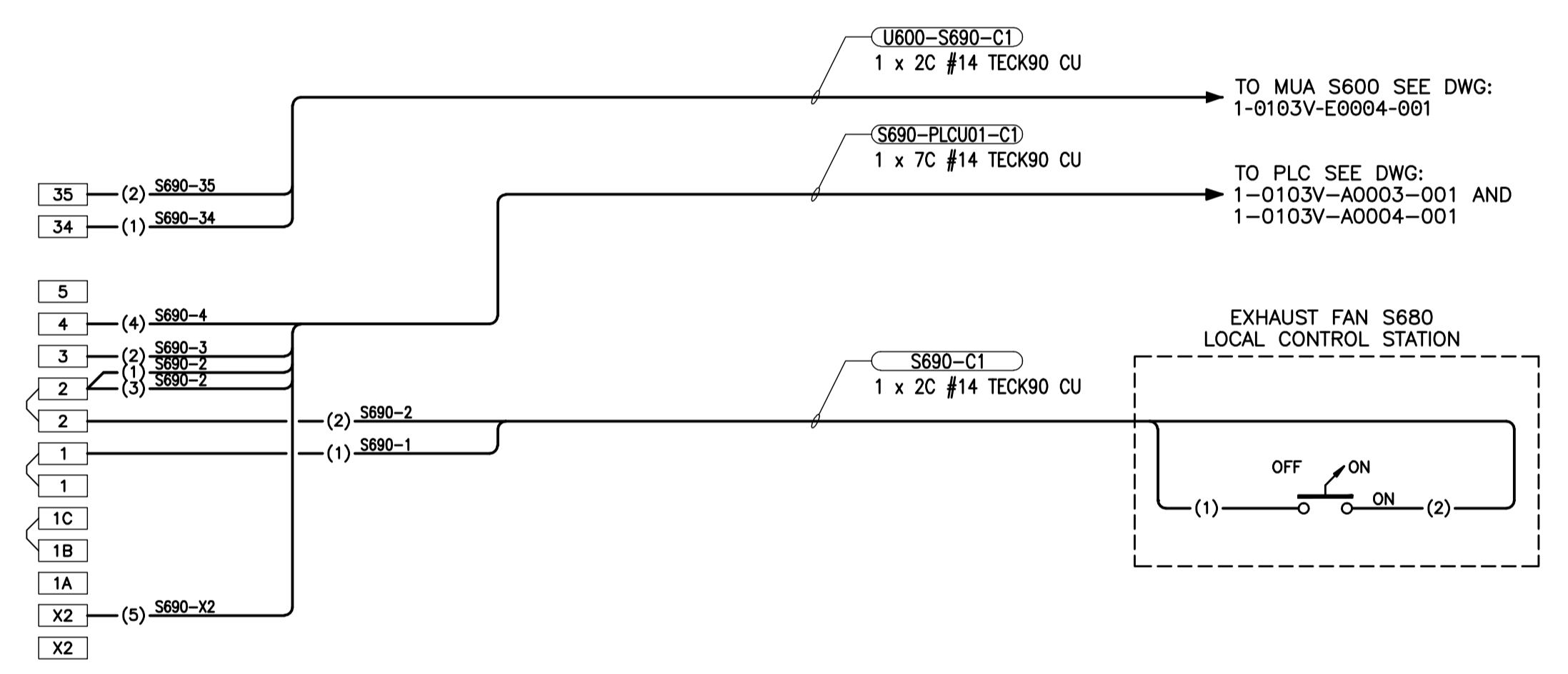
File Name: P:\Projects\2009\09-0754-08\DocControl\ToBeIssued\DWG\ELECTRICAL\1-0103V-E0008-001-Rev 00.dwg - Tab: 1-0103V-E0008-001-Rev 00.dwg - Tab: 1-0103V-E0008-001-Rev 00.dwg [Thu 4:25pm] CW-9-M564-1



- LEGEND**
- ☐ PLC TERMINALS
  - ☒ STARTER TERMINALS
  - MUA U600 TERMINALS
  - FIELD WIRING
  - PANEL WIRING
  - ( ) CONDUCTOR IDENTIFICATION
  - WIRE CONNECTION
  - ⊙ PILOT LIGHT
  - ETM ELAPSED TIME METER
  - OUTPUT PLC OUTPUT
  - INPUT PLC INPUT

- NOTES:**
- CONTACT CLOSES WHEN ADEQUATE CURRENT IS DRAWN TO PROVE EXHAUST FAN IS RUNNING.

- CONSTRUCTION NOTES:**
- REPLACE EXISTING STARTER WRAPPER WITH NEW WITH FEATURES SHOWN ON SCHEMATIC.



 Certificate of Authorization KGS Group No. 245 Date: 2010/12/21		B.M. ELEV. .	FIELD BOOK #:		ENGINEER'S SEAL			2010 HVAC REPLACEMENT AND ASSOCIATED WORKS <b>WEWPCC</b> AREA U - TUNNEL VENTILATION EF-S690 FVNR SCHEMATIC & WIRING DIAGRAM	SHEET 1 OF 1
		DESIGNED BY DDW	CHECKED BY REW		DESIGNED BY DDW				CHECKED BY REW
		POSTED TO LBIS		DRAWN BY GCN APPROVED BY REW HDR. SCALE N.T.S. VERTICAL N.T.S.		TENDER No. UE2.8 PLDT DATE: 2010/12/16		1-0103V-E0008-001	
		NO. REVISIONS	DATE BY	RELEASED FOR CONSTRUCTION DATE 2009 09 29					