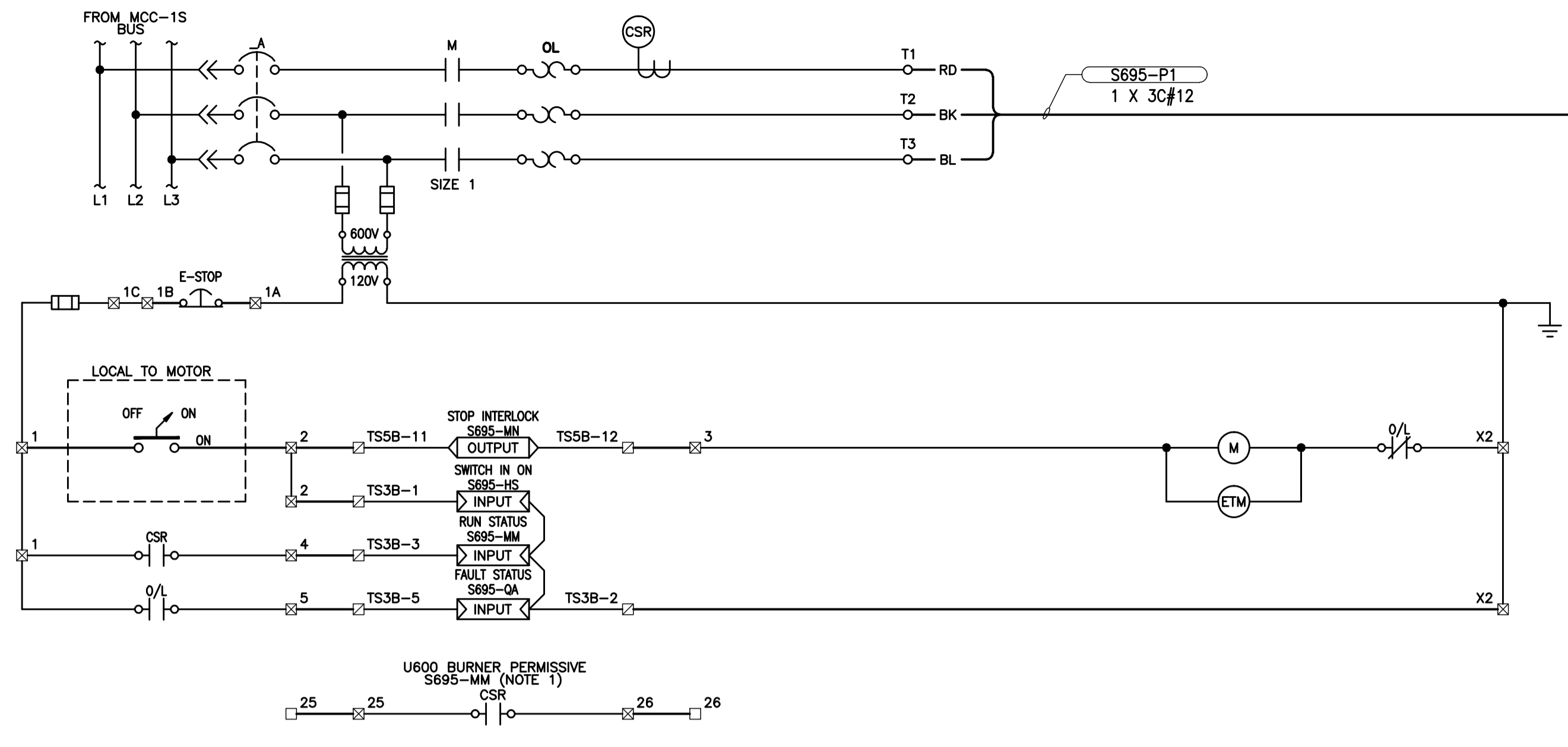


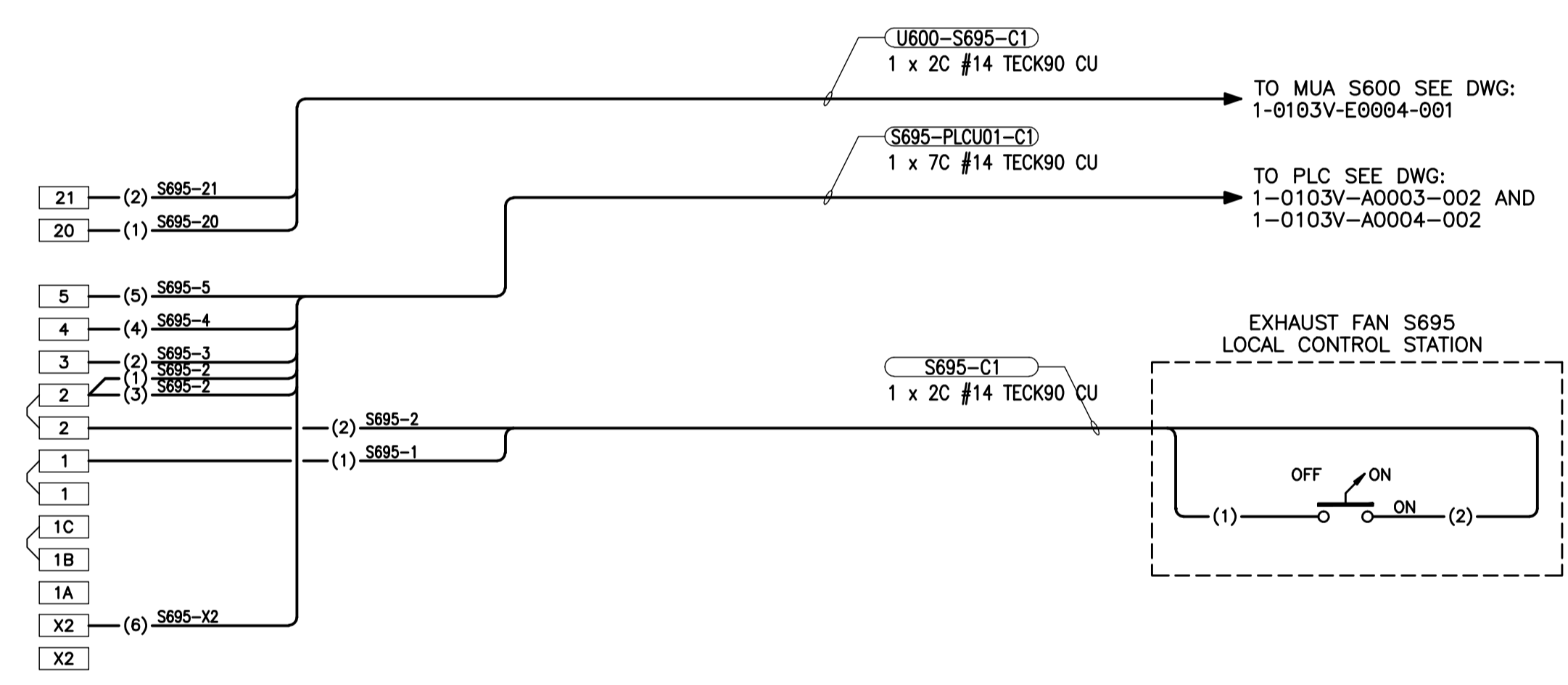
CW-9-M564-1
 File Name: P:\Projects\2009\09-0754-08\DocControl\ToBeIssued\DWG\ELECTRICAL\1-0103V-E0006-001-Rev 00.dwg - Tab: 1-0103V-E0006-001-Rev 00.dwg - Thu 4:27pm



- LEGEND**
- ☐ PLC TERMINALS
 - ☐ STARTER TERMINALS
 - ☐ MUA U600 TERMINALS
 - FIELD WIRING
 - PANEL WIRING
 - () CONDUCTOR IDENTIFICATION
 - WIRE CONNECTION
 - ⊙ PILOT LIGHT
 - ETM ELAPSED TIME METER
 - ◀ OUTPUT ▶ PLC OUTPUT
 - ▶ INPUT ◀ PLC INPUT

- NOTES:**
- CONTACT CLOSES WHEN ADEQUATE CURRENT IS DRAWN TO PROVE EXHAUST FAN IS RUNNING.

- CONSTRUCTION NOTES:**
- REPLACE EXISTING STARTER WRAPPER WITH NEW WITH FEATURES SHOWN ON SCHEMATIC.



 Certificate of Authorization KGS Group No. 245 Date: 2010/12/21		B.M. ELEV. . POSTED TO LBIS	FIELD BOOK #: .		ENGINEER'S SEAL 	
		DESIGNED BY DDW CHECKED BY REW DRAWN BY GCN APPROVED BY REW HDR. SCALE N.T.S. RELEASED FOR CONSTRUCTION VERTICAL N.T.S.		TENDER No. UE2.6 FILENAME: 1-0103V-E0006-001-Rev 00.dwg PLOT DATE: 2010/12/16		2010 HVAC REPLACEMENT AND ASSOCIATED WORKS WEWPCC AREA U - TUNNEL VENTILATION S695 FVNR SCHEMATIC & WIRING DIAGRAM
		00 ISSUED FOR TENDER 2010-12-21 REW NO. REVISIONS DATE BY		2009 09 29		SHEET 1 OF 1 CITY DRAWING NUMBER 1-0103V-E0006-001