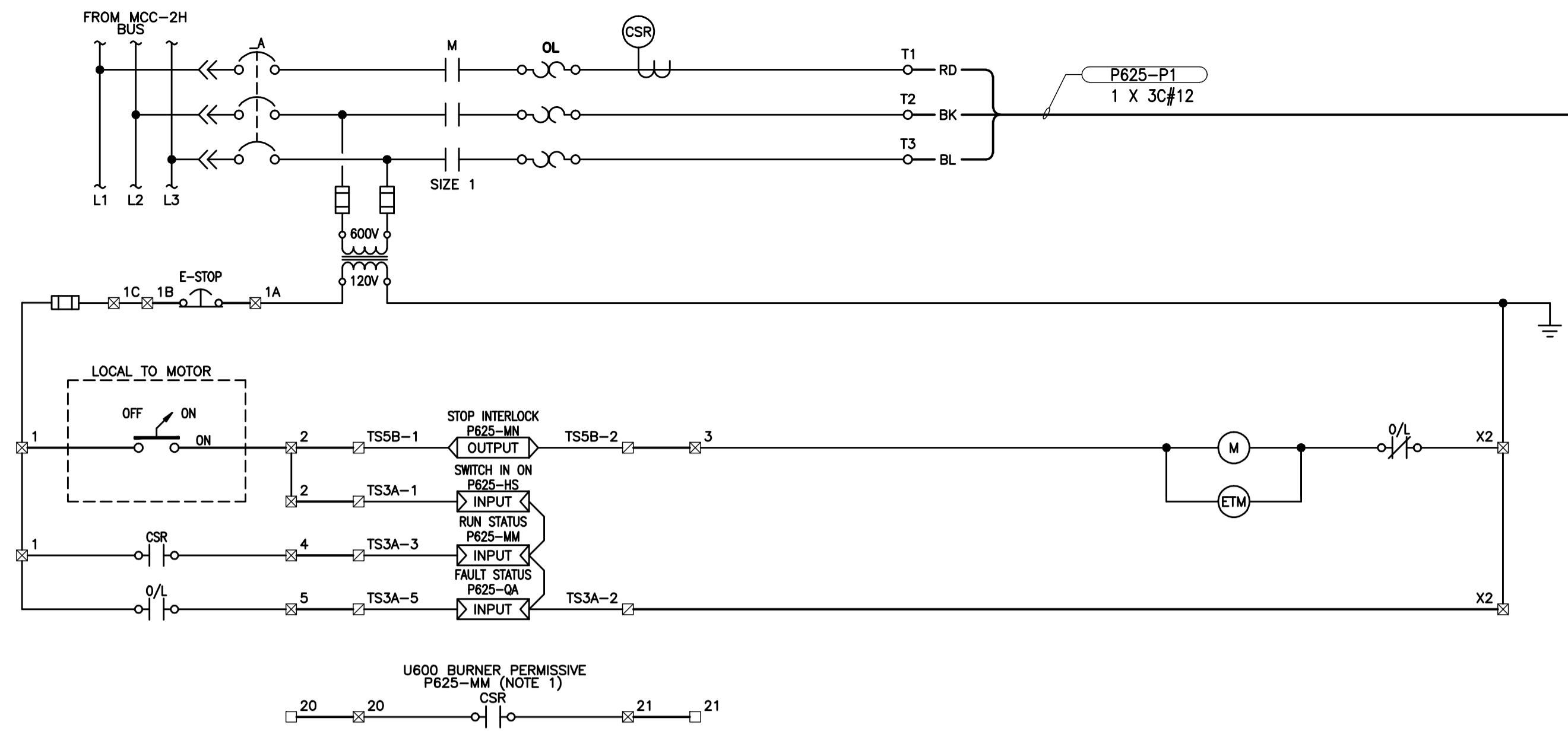


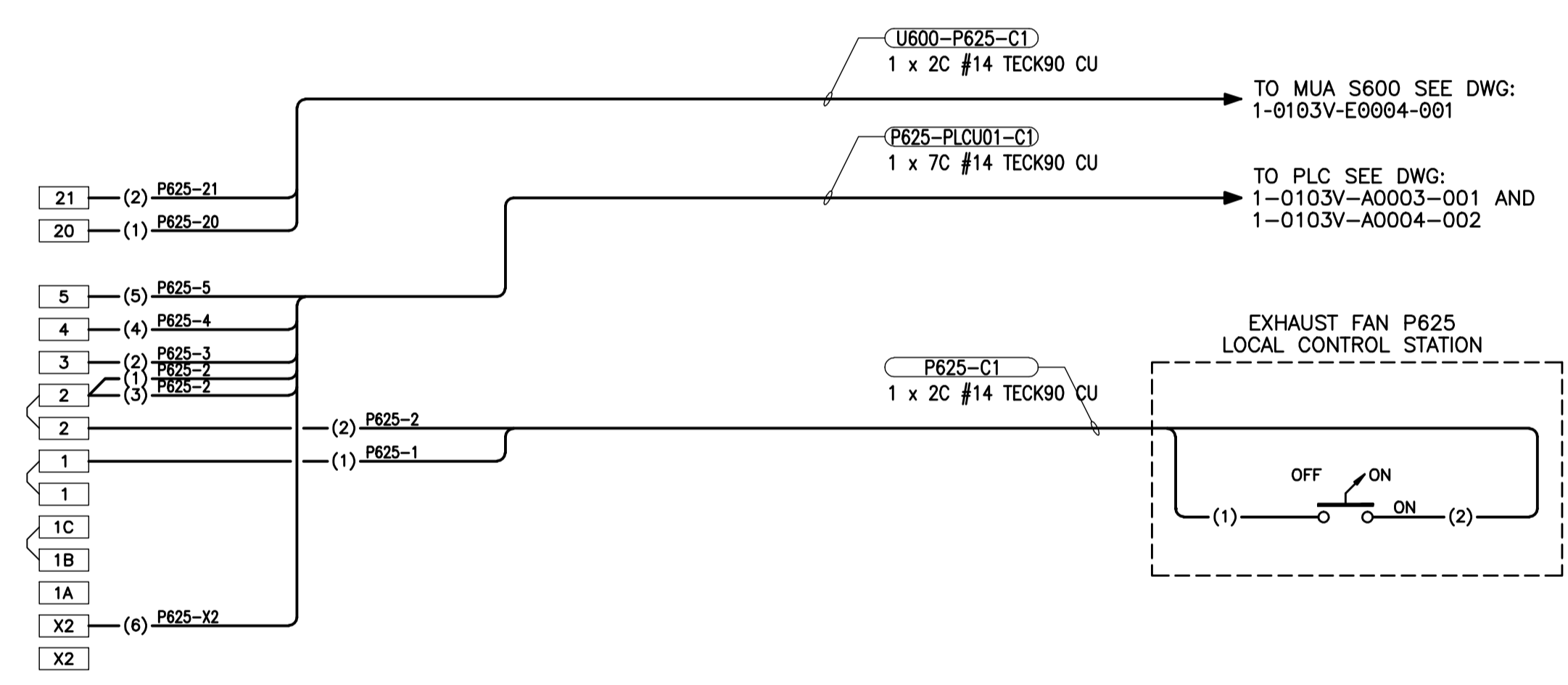
File Name: P:\Projects\2009\09-0754-08\DocControl\ToBeIssued\DWG\ELECTRICAL\1-0103V-E0005-001-Rev 00.dwg - Tab: 1-0103V-E0005-001-Rev 00.dwg - Tab: 1-0103V-E0005-001-Rev 00.dwg [Thu 4:28pm]



- LEGEND**
- ☐ PLC TERMINALS
 - ☐ STARTER TERMINALS
 - ☐ MUA U600 TERMINALS
 - FIELD WIRING
 - PANEL WIRING
 - () CONDUCTOR IDENTIFICATION
 - WIRE CONNECTION
 - ⊙ PILOT LIGHT
 - ETM ELAPSED TIME METER
 - OUTPUT PLC OUTPUT
 - INPUT PLC INPUT

- NOTES:**
- CONTACT CLOSES WHEN ADEQUATE CURRENT IS DRAWN TO PROVE EXHAUST FAN IS RUNNING.

- CONSTRUCTION NOTES:**
- REPLACE EXISTING STARTER WRAPPER WITH NEW WITH FEATURES SHOWN ON SCHEMATIC.



APEGN
Certificate of Authorization
KGS Group
No. 245 Date: 2010/12/21

KGS GROUP
CONSULTING ENGINEERS

B.M. ELEV.	FIELD BOOK #:
POSTED TO LBIS	
DESIGNED BY DDW	CHECKED BY REW
DRAWN BY GCN	APPROVED BY REW
HDR. SCALE N.T.S.	RELEASED FOR CONSTRUCTION
VERTICAL N.T.S.	
00 ISSUED FOR TENDER	2010-12-21 REW
NO. REVISIONS	DATE BY

ALLIANCE
Engineering Services Inc.

DESIGNED BY DDW CHECKED BY REW
DRAWN BY GCN APPROVED BY REW
HDR. SCALE N.T.S. RELEASED FOR CONSTRUCTION
VERTICAL N.T.S.
2009 09 29

ENGINEER'S SEAL
PROVINCE OF MANITOBA
R.E. WILLMS
Member 3833
REGISTERED PROFESSIONAL ENGINEER

TENDER No. UE25
FILENAME: 1-0103V-E0005-001-Rev 00.dwg
PLOT DATE: 2010/12/16

THE CITY OF WINNIPEG
WATER AND WASTE DEPARTMENT

2010 HVAC REPLACEMENT AND ASSOCIATED WORKS
WEWPCC
AREA U - TUNNEL VENTILATION
P625 FVNR SCHEMATIC & WIRING DIAGRAM

SHEET 1 OF 1
CITY DRAWING NUMBER
1-0103V-E0005-001