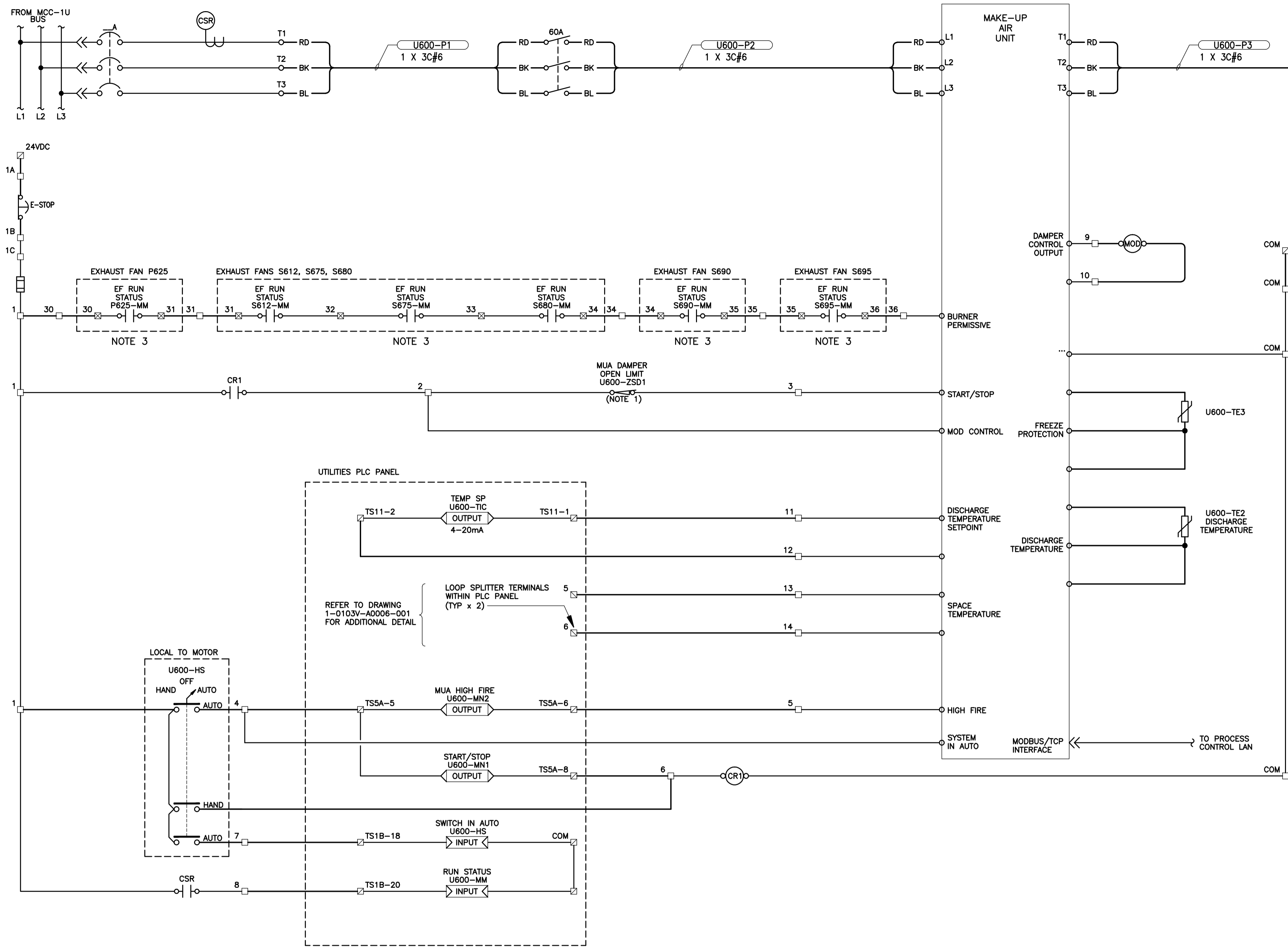


CW-9-M564-1
 File Name: P:\Projects\2009\09-0754-08\DocControl\ToBeIssued\DWG\ELECTRICAL\1-0103V-E0004-001-Rev 00.dwg - Tab: 1-0103V-E0004-001 Plotted By: G.Nelson 12/16/2010 [Thu 4:29pm]

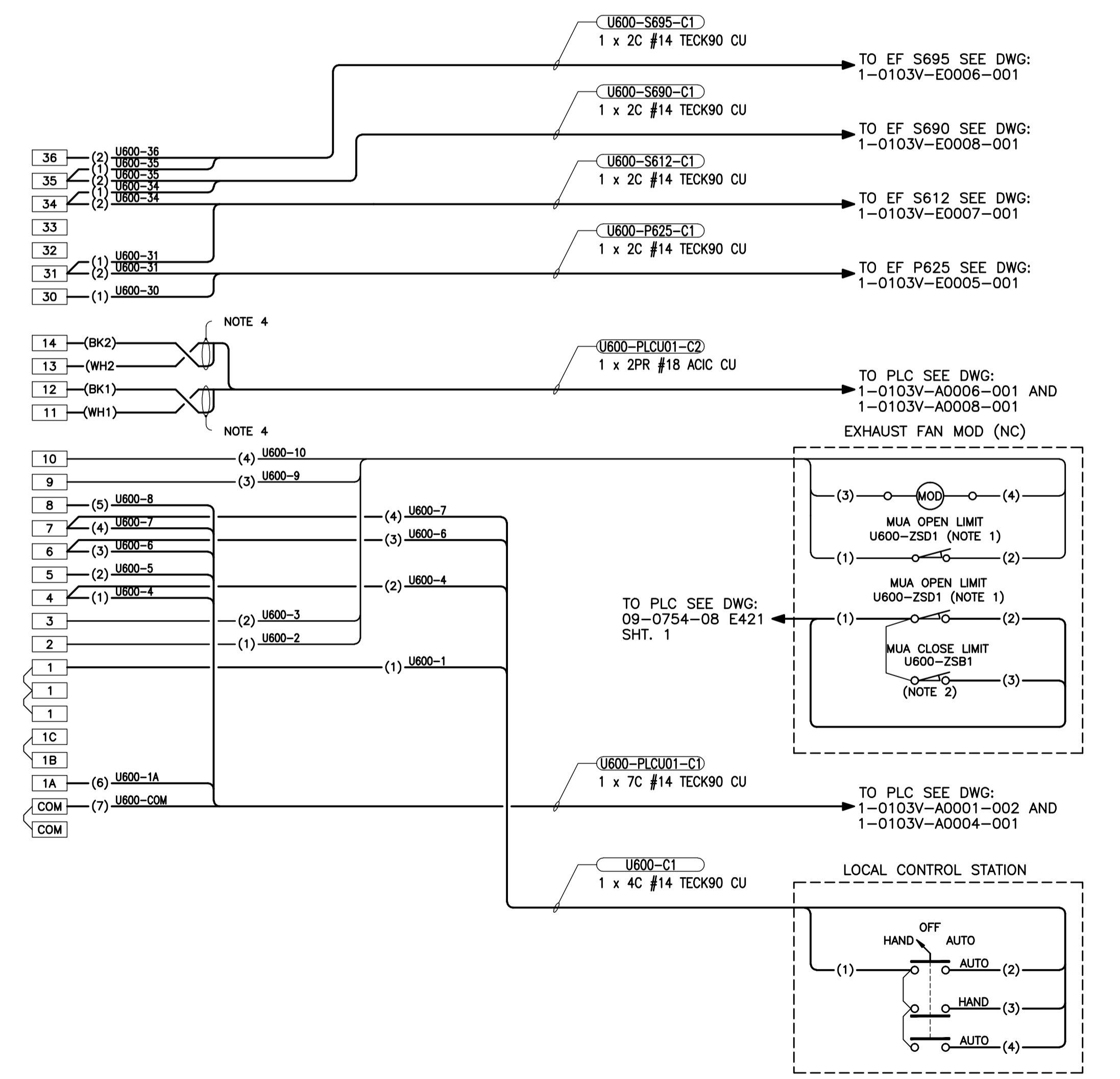


LEGEND

- MUA U600 TERMINALS
- ▣ PLC TERMINALS
- ▢ STARTER TERMINALS
- FIELD WIRING
- PANEL WIRING
- ▷ OUTPUT PLC OUTPUT
- ◁ INPUT PLC INPUT

NOTES:

1. LIMIT SWITCH CONTACT CLOSES WHEN DAMPER PROVES FULLY OPEN.
2. LIMIT SWITCH CONTACT CLOSES WHEN DAMPER PROVES FULLY CLOSED.
3. CONTACT CLOSES WHEN ADEQUATE CURRENT IS DRAWN TO PROVE MOTOR IS RUNNING.
4. ISOLATE AND TAPE BACK SHIELD AT THIS END ONLY.



REFERENCE DRAWINGS:

 Certificate of Authorization KGS Group No. 245 Date: 2010/12/21		B.M. ELEV. : POSTED TO LBIS : DESIGNED BY : DDW DRAWN BY : GCN HDR. SCALE : N.T.S. VERTICAL : N.T.S. 00 ISSUED FOR TENDER 2010-12-21 REW ND. REVISIONS : DATE : BY : DATE : 2010 07 15 : DATE :	 ENGINEER'S SEAL TENDER No. UE2.4 FILENAME: 1-0103V-E0004-001-Rev 00.dwg PLOT DATE: 2010/12/16	 2010 HVAC REPLACEMENT AND ASSOCIATED WORKS WEWPC AREA U - TUNNEL VENTILATION MUA-U600, MCC-1U SCHEMATIC & WIRING DIAGRAM	SHEET 1 OF 1 CITY DRAWING NUMBER 1-0103V-E0004-001
---	--	--	--	--	--