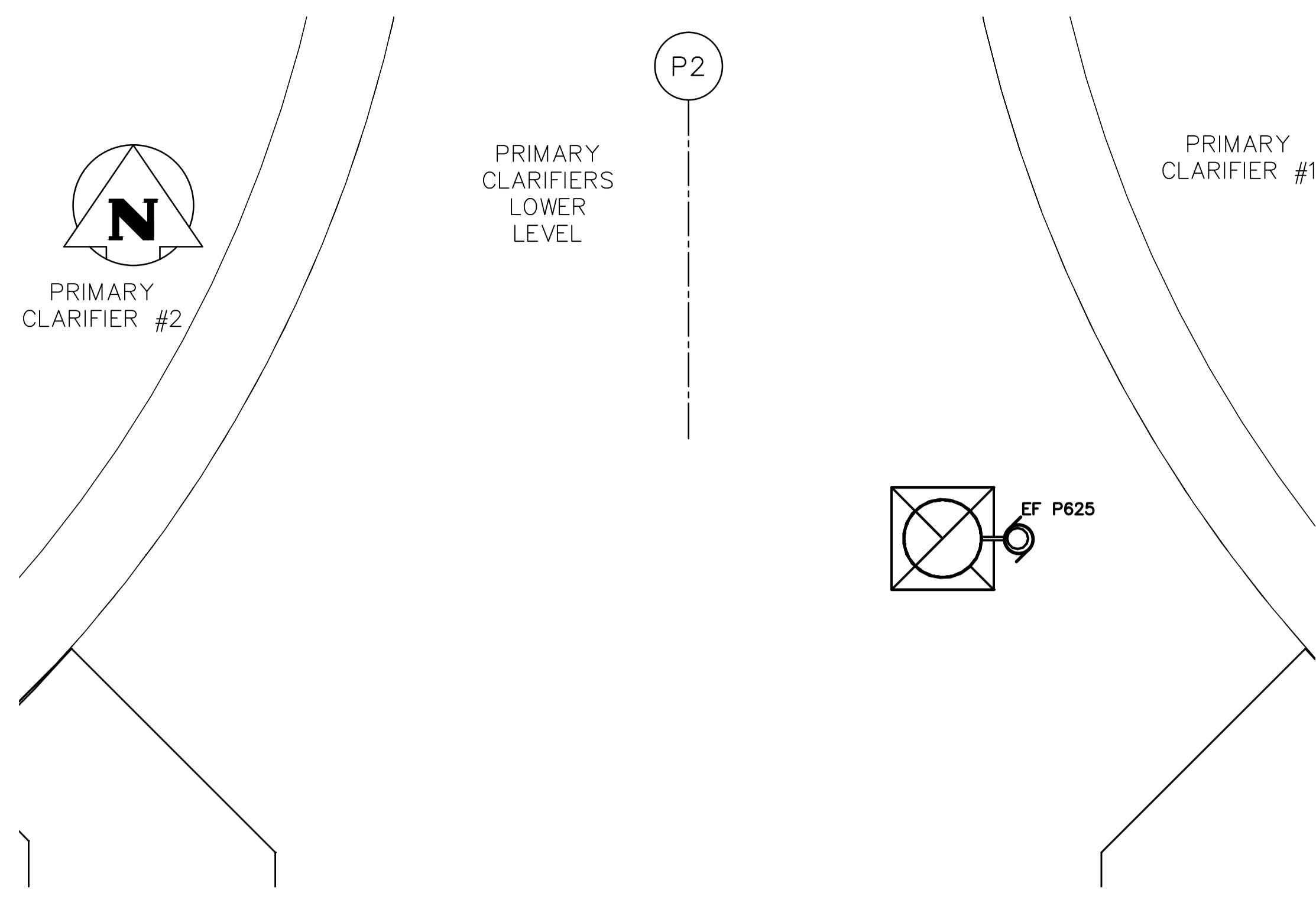
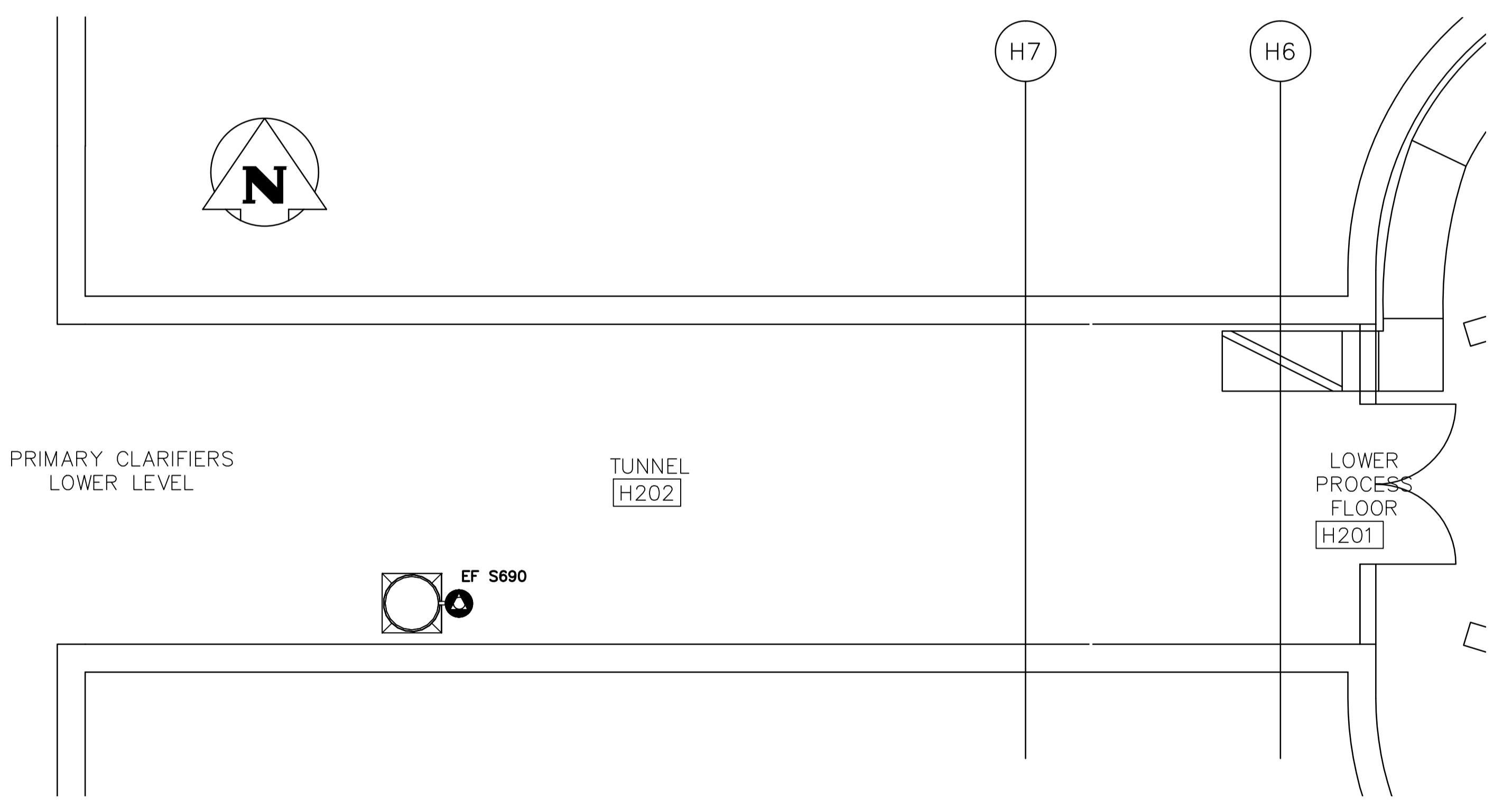


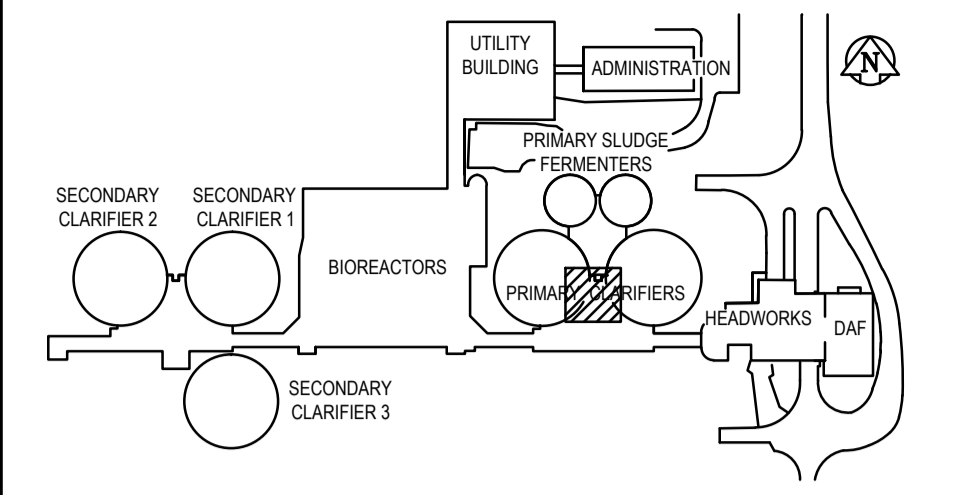
File Name: P:\Projects\2009\09-0754-08\Drawg\Elec\20101026 DWG from Alliance\1-0103V-E0003-001.dwg - Tab: 1-0103V-E0003-001.dwg - Plotted By: GNelson 12/16/2010 [Thu 3:02pm]



1 AREA U - P625 - PART PLAN
SCALE 1:50



2 AREA U - S690 - PART PLAN
SCALE 1:50



KEY PLAN

NOTES:
1. NOT ALL EXISTING ELECTRICAL WIRING AND EQUIPMENT WHICH REQUIRES RELOCATION IS SHOWN IN DETAIL. THE CONTRACTOR SHALL REVIEW ALL TENDER DRAWINGS TO DETERMINE GLOBAL SCOPE OF RELOCATION.

APEGM
Certificate of Authorization
KGS Group
No. 245 Date: 2010/12/21

KGS GROUP
CONSULTING ENGINEERS

B.M. ELEV.	FIELD BOOK #:
POSTED TO LBIS	
DESIGNED BY	AP
DRAWN BY	GCN
HOR. SCALE	-
VERTICAL	-
00 ISSUED FOR TENDER	2010-12-21 REW
REVISIONS	DATE BY

ALLIANCE
Engineering Services Inc.

CHECKED BY	DDW
APPROVED BY	REW
RELEASED FOR CONSTRUCTION	
DATE	2010 11 15

ENGINEER'S SEAL
R.E. WILLMS
Member 3833
PROFESSIONAL ENGINEER

THE CITY OF WINNIPEG
WATER AND WASTE DEPARTMENT

2010 HVAC REPLACEMENT AND ASSOCIATED WORKS
WEWPC
AREA U - TUNNEL VENTILATION P625 & S690 NEW CONDITIONS - PLAN - ELECTRICAL

SHEET 1 OF 1
CITY DRAWING NUMBER
1-0103V-E0003-001