

File Name: P:\Projects\2009\09-0754-08\Doc.Control\1-0103V-ELECTRICAL\1-0103V-A0004-002-Rev 00.dwg - Tab: 1-0103V-A0004-002 Plotted By: G.Nelson 12/16/2010 [Thu 4:35pm]

I/O MODULE, TELEFAST SUBBASE & TERMINALS

FIELD ENCLOSURE

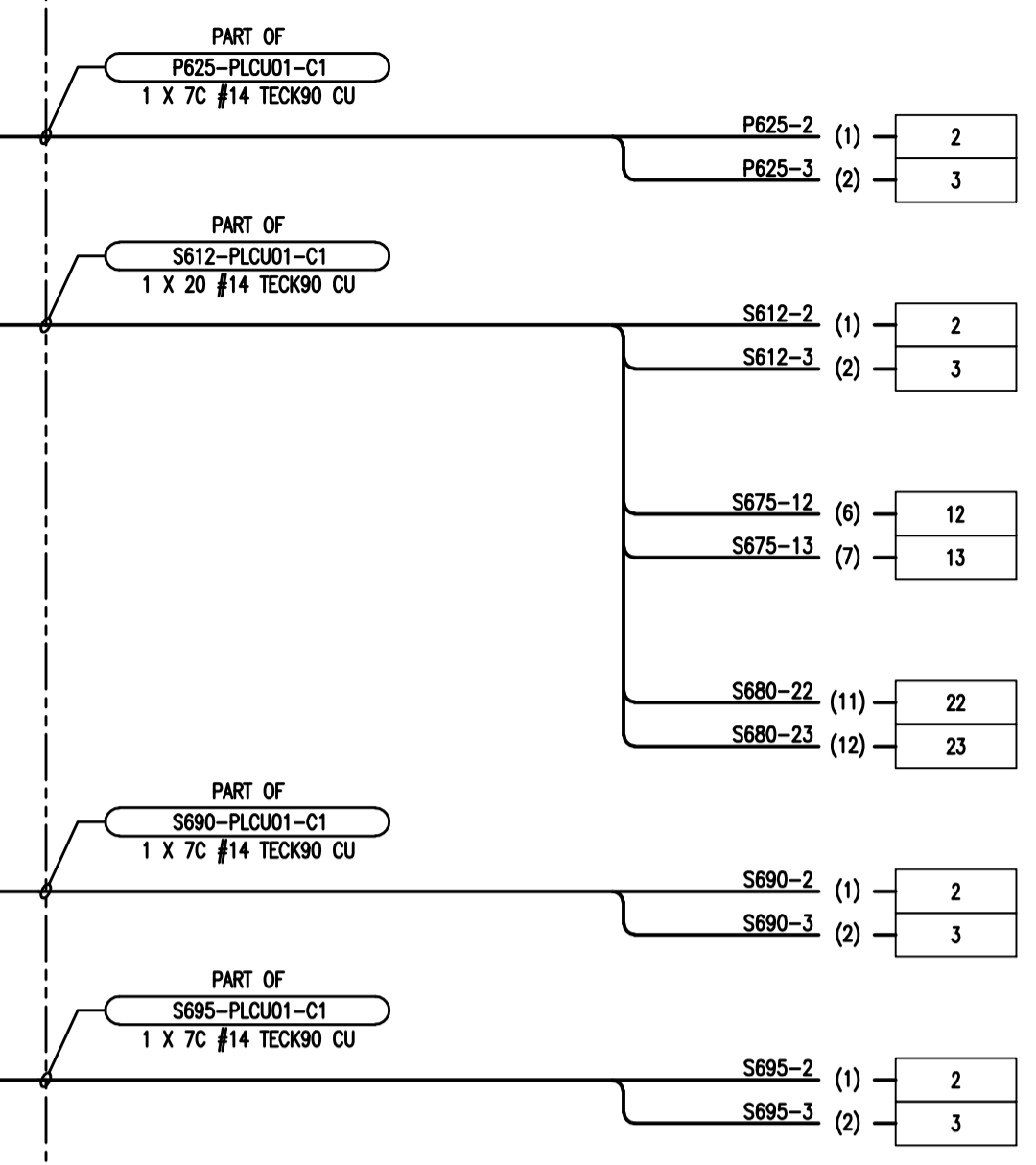
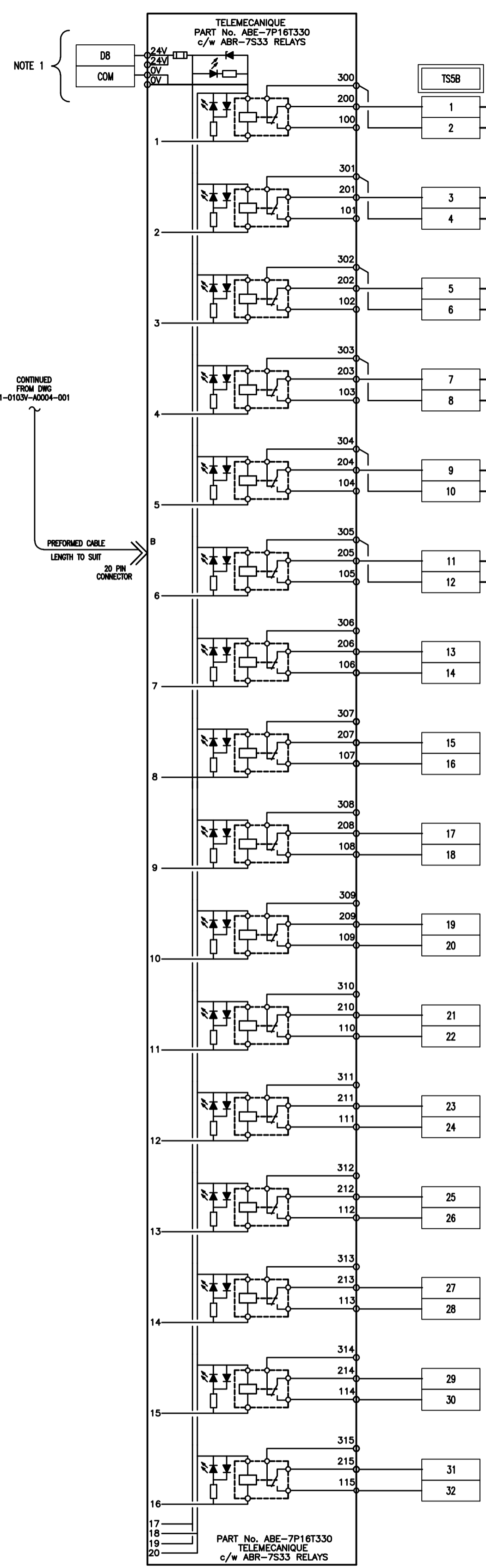
FIELD DEVICE

NOTES:

- REFER TO DWG 1-0103V-E0020-002 FOR DETAILS ON POWER SUPPLY.

LEGEND

- FIELD WIRING
- PANEL WIRING



- P625-2 (1) 2
- P625-3 (2) 3
- S612-2 (1) 2
- S612-3 (2) 3
- S675-12 (6) 12
- S675-13 (7) 13
- S680-22 (11) 22
- S680-23 (12) 23
- S690-2 (1) 2
- S690-3 (2) 3
- S695-2 (1) 2
- S695-3 (2) 3

P625-MIN EXHAUST FAN P625 STOP INTERLOCK

S612-MIN EXHAUST FAN S612 STOP INTERLOCK

S675-MIN EXHAUST FAN S675 STOP INTERLOCK

S680-MIN EXHAUST FAN S680 STOP INTERLOCK

S690-MIN EXHAUST FAN S690 STOP INTERLOCK

S695-MIN EXHAUST FAN S695 STOP INTERLOCK

**APEGN**  
Certificate of Authorization  
KGS Group  
No. 245 Date: 2010/12/21

**KGS GROUP**  
CONSULTING ENGINEERS

B.M. ELEV.	N/A	FIELD BOOK #:	
POSTED TO LBIS			
DESIGNED BY	REW/DDW	BY	REW
DRAWN BY	GCN	APPROVED BY	REW
HDR. SCALE	N.T.S.	RELEASED FOR CONSTRUCTION	
VERTICAL	N.T.S.		
ISSUED FOR TENDER	2010-12-21	REW	
NO. REVISIONS	DATE	BY	DATE
			2010-06-23

**ALLIANCE**  
Engineering Services Inc.

ENGINEER'S SEAL  
R.E. WILLMS  
Member 3833  
REGISTERED PROFESSIONAL ENGINEER

TENDER No. UI6.8  
FILENAME: 1-0103V-A0004-002-Rev 00.dwg  
PLDT DATE: 2010/12/16

**THE CITY OF WINNIPEG**  
WATER AND WASTE DEPARTMENT

2010 HVAC REPLACEMENT AND ASSOCIATED WORKS  
**WEWPC**  
AREA U - UTILITY BUILDING  
SLOT 5 DISCRETE OUTPUT LOOP DRAWING

SHEET 2 OF 2  
CITY DRAWING NUMBER  
1-0103V-A0004-002