

File Name: P:\Projects\2009\09-0754-08\Doc.Control\1-0103V-A0003-001-Rev 00.dwg - Tab: 1-0103V-A0003-001-Rev 00.dwg - Plotted By: G.Nelson 12/16/2010 [Thu 4:35pm]

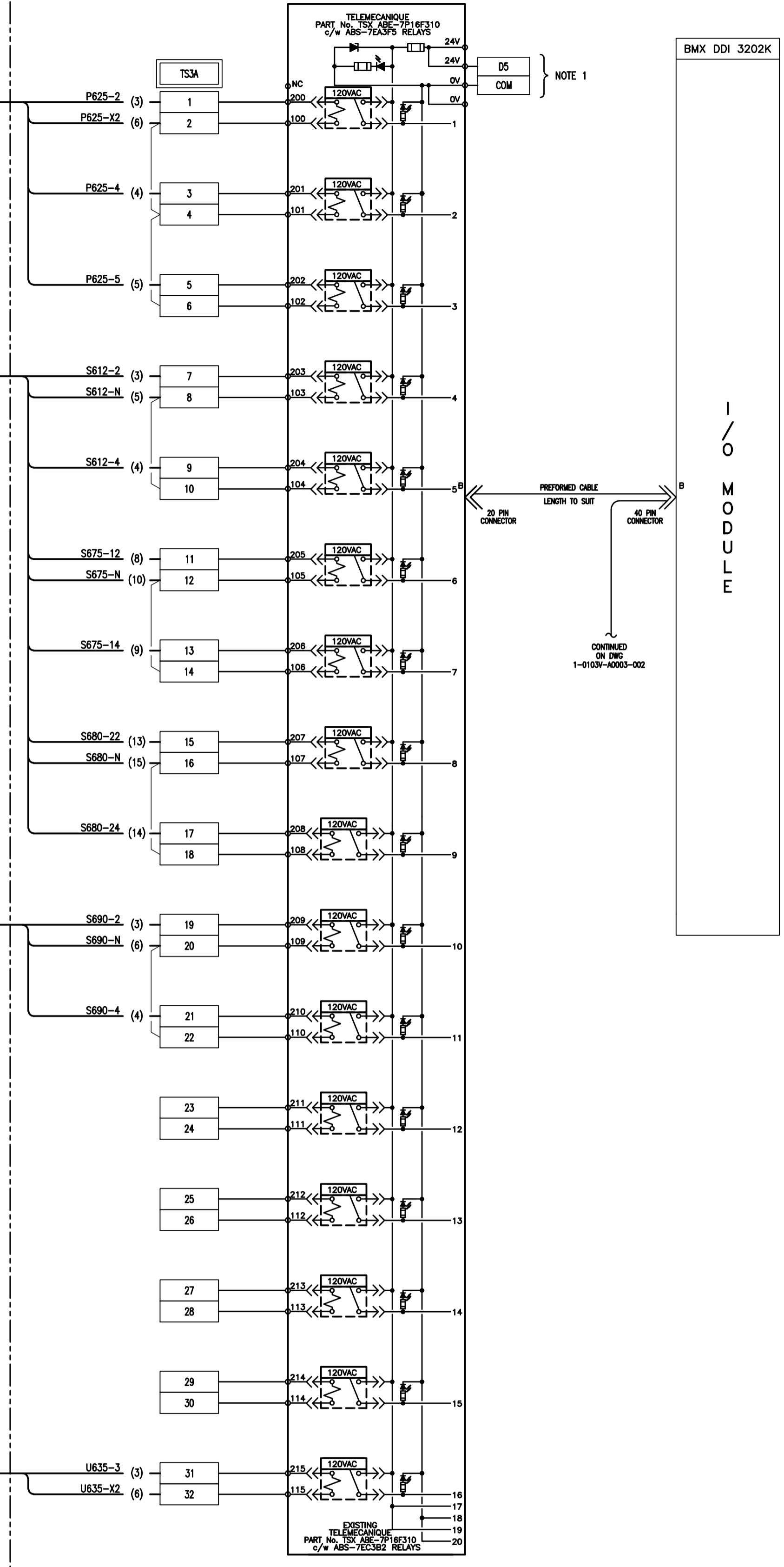
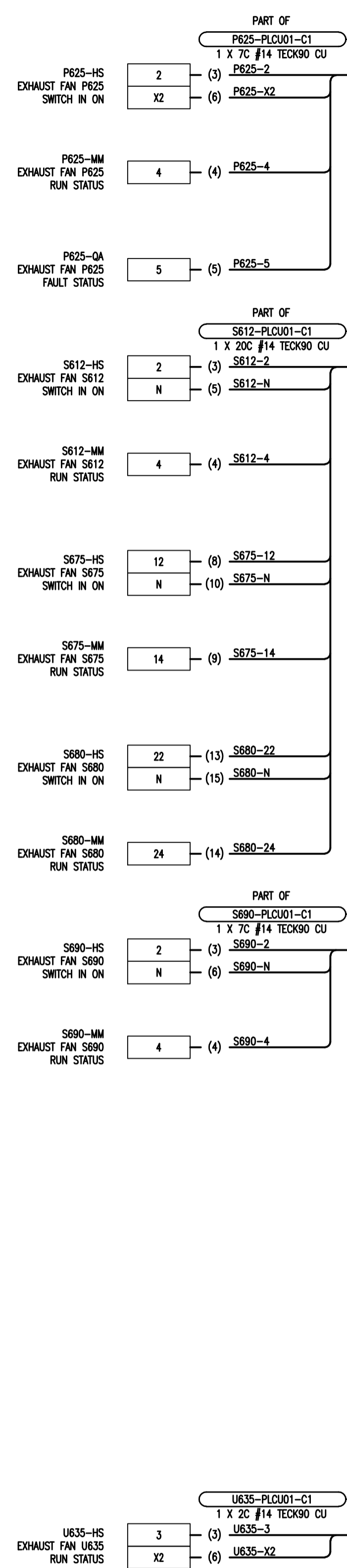
FIELD DEVICE

FIELD ENCLOSURE

I/O MODULE, TELEFAST SUBBASE & TERMINALS

NOTES:

1. REFER TO DRAWING 1-0103V-E0020-002 FOR DETAILS ON POWER SUPPLY.



LEGEND

- FIELD WIRING
- PANEL WIRING



B.M. ELEV.	N/A	FIELD BOOK #	
POSTED TO LBIS			
NO.	ISSUED FOR TENDER	DATE	BY
00		2010-12-21	REW
NO.	REVISIONS	DATE	BY

ALLIANCE
Engineering Services Inc.

DESIGNED BY: REW/DDW BY: REW
 DRAWN BY: GCN APPROVED BY: REW
 HDR. SCALE: N.T.S. RELEASED FOR CONSTRUCTION
 VERTICAL: N.T.S.
 DATE: 2010-06-23

ENGINEER'S SEAL
 PROVINCE OF MANITOBA
R.E. WILLMS
 Member 3833
 TENDER No. UI6.5
 FILENAME 1-0103V-A0003-001-Rev 00.dwg
 PLOT DATE: 2010/12/16

THE CITY OF WINNIPEG
WATER AND WASTE DEPARTMENT

2010 HVAC REPLACEMENT AND ASSOCIATED WORKS
WEWPC
 AREA U - UTILITY BUILDING
 SLOT 3 DISCRETE INPUT LOOP DRAWING

SHEET 1 OF 2
 CITY DRAWING NUMBER
 1-0103V-A0003-001