

FIELD DEVICE

FIELD ENCLOSURE

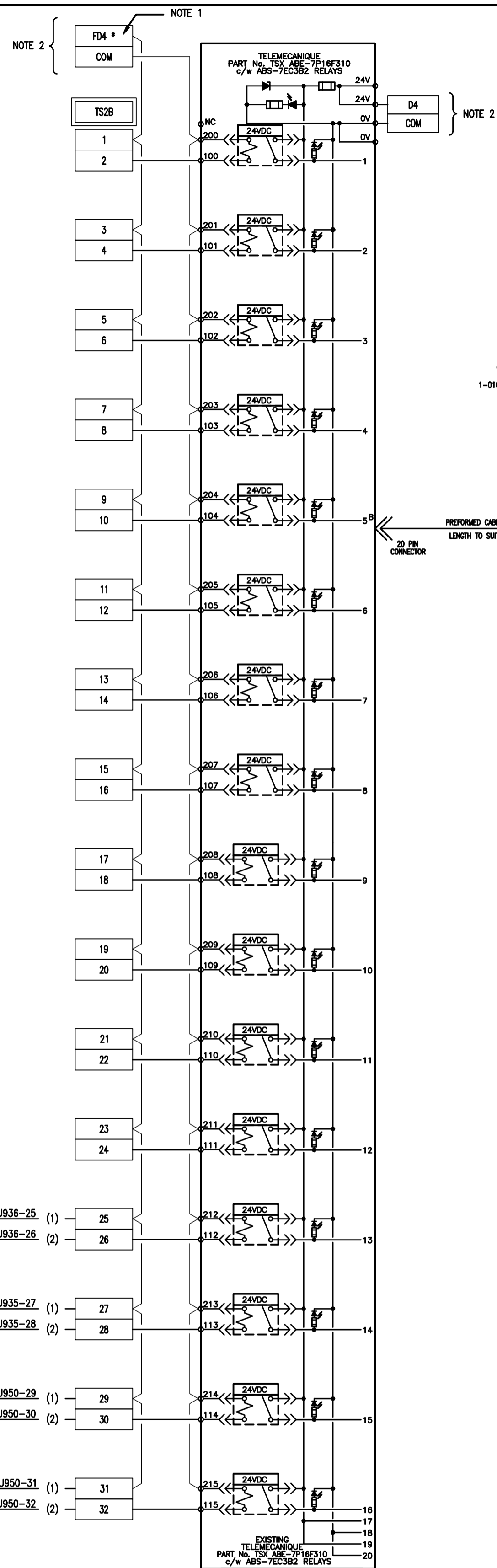
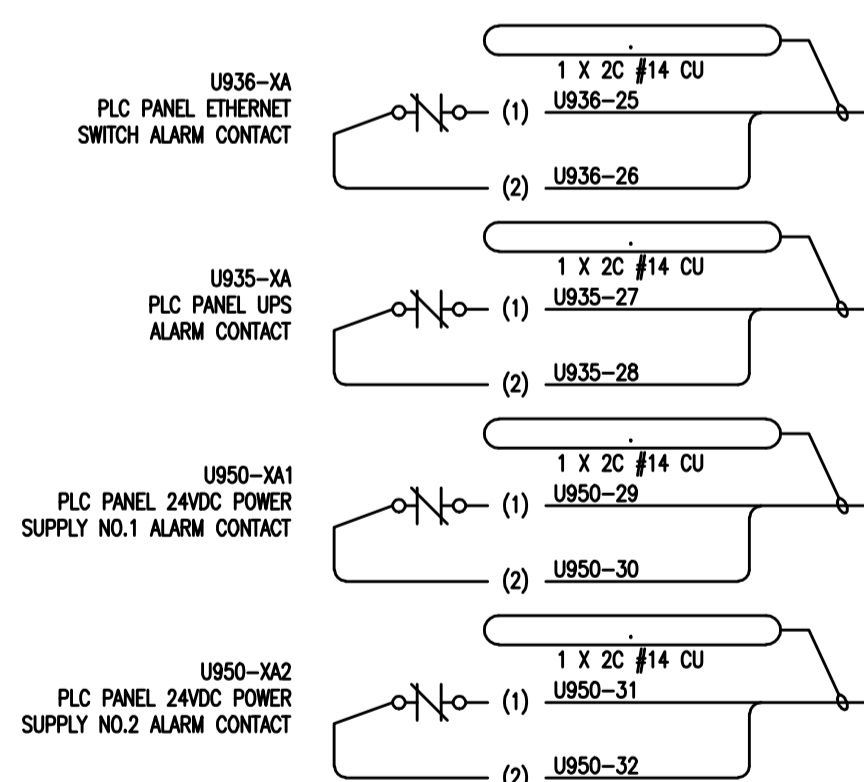
I/O MODULE, TELEFAST SUBBASE & TERMINALS

NOTES:

- 1. ASTERISK DENOTES FUSED DISCONNECT TERMINAL.
- 2. REFER TO DWG 1-0103V-E0020-002 FOR DETAILS ON POWER SUPPLY.

LEGEND

- FIELD WIRING
- PANEL WIRING



<p>Certificate of Authorization KGS Group No. 245 Date: 2010/12/21</p>				B.M. ELEV. N/A POSTED TO LBSIS	FIELD BOOK #			ENGINEER'S SEAL 		
DESIGNED BY: REW/DDW DRAWN BY: GCN HDR. SCALE: N.T.S. VERTICAL: N.T.S.				BY: [] APPROVED BY: [] RELEASED FOR CONSTRUCTION: [] DATE: 2010-06-23		TENDER No. UI6.4 FILENAME 1-0103V-A0002-002-Rev 00.dwg PLOT DATE: 2010/12/16		2010 HVAC REPLACEMENT AND ASSOCIATED WORKS WEWPC AREA U - UTILITY BUILDING SLOT 2 DISCRETE INPUT LOOP DRAWING		SHEET 2 OF 2 CITY DRAWING NUMBER 1-0103V-A0002-002