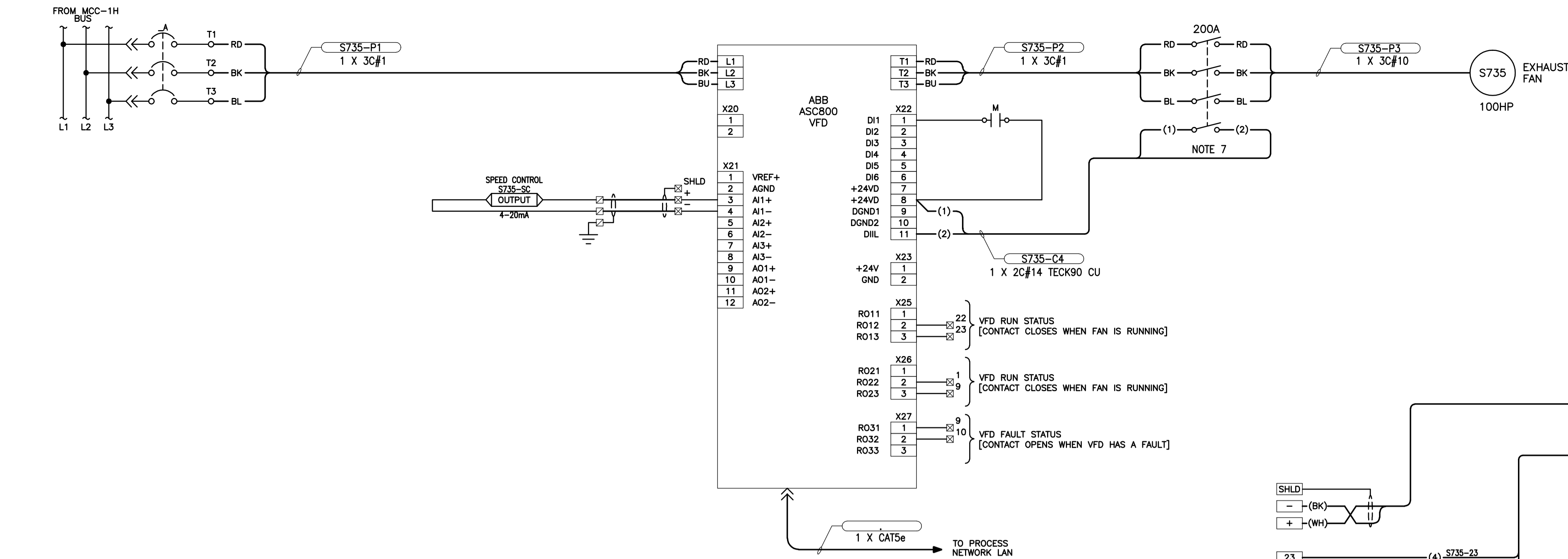


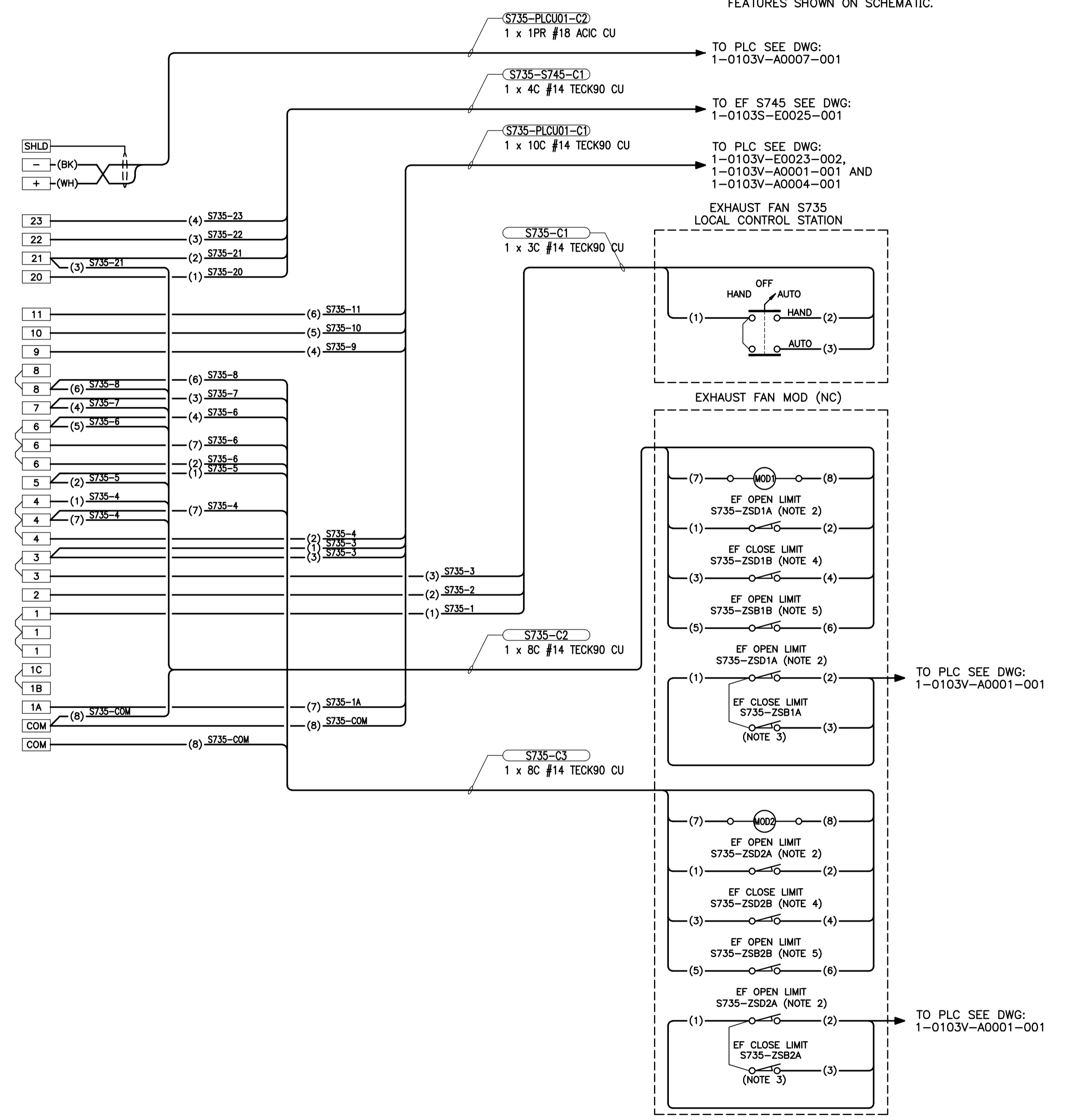
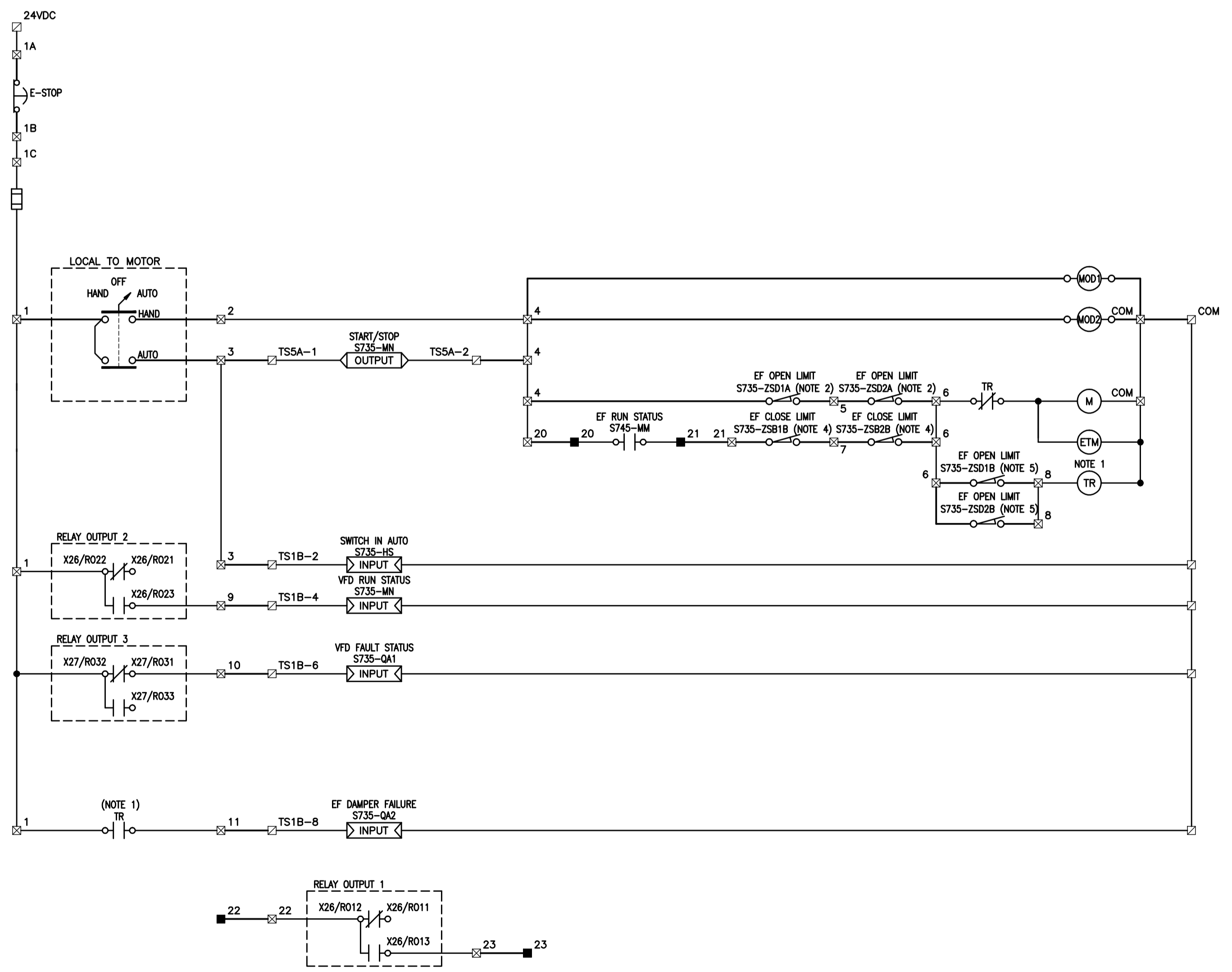
CW-9-M564-1
 P:\Projects\2009\09-0754-08_DocControl\ToBeIssued\DWG\ELECTRICAL\1-0103S-E0024-001-Rev 00.dwg - Tab: 1-0103S-E0024-001 Plotted By: GNeilson 12/16/2010 [Thu 4:42pm]



- LEGEND**
- ☐ PLC TERMINALS
 - ☐ VFD STARTER TERMINALS
 - EF S745 TERMINALS
 - FIELD WIRING
 - () PANEL WIRING
 - () CONDUCTOR IDENTIFICATION
 - WIRE CONNECTION
 - PILOT LIGHT
 - ETM ELAPSED TIME METER
 - OUTPUT PLC OUTPUT
 - INPUT PLC INPUT

- NOTES:**
1. TIMING RELAY STARTS TIMING ON ENERGIZATION AND CONTACT OPENS AFTER TIMEOUT. TIMED OUT RELAY REQUIRES A MANUAL RESET.
 2. LIMIT SWITCH CONTACT CLOSES WHEN DAMPER PROVES FULLY OPEN.
 3. LIMIT SWITCH CONTACT CLOSES WHEN DAMPER PROVES FULLY CLOSED.
 4. LIMIT SWITCH CONTACT OPENS WHEN DAMPER PROVES FULLY CLOSED.
 5. LIMIT SWITCH CONTACT OPENS WHEN DAMPER PROVES FULLY OPEN.
 6. DAMPER LIMIT SWITCHES MAY REQUIRE MULTIPLYING RELAY(S) IN ORDER TO PROVIDE THE CORRECT NUMBER OF CONTACTS.
 7. AUXILIARY CONTACT ON DISCONNECT SWITCH SHALL BREAK BEFORE DISCONNECT OPENS AND MAKE BEFORE DISCONNECT CLOSSES.

- CONSTRUCTION NOTES:**
1. REPLACE EXISTING STARTER WRAPPER WITH NEW WITH FEATURES SHOWN ON SCHEMATIC.



APEGN
 Certificate of Authorization
 KGS Group
 No. 245 Date: 2010/12/21

KGS GROUP
 CONSULTING ENGINEERS

| NO. | REVISIONS | DATE | BY |
|-----|-------------------|------------|-----|
| 00 | ISSUED FOR TENDER | 2010-12-21 | REW |

ALLIANCE
 Engineering Services Inc.

DESIGNED BY: REW/DDW
 CHECKED BY: REW
 DRAWN BY: GCN
 APPROVED BY: REW
 HDR. SCALE: N.T.S.
 VERTICAL: N.T.S.
 RELEASED FOR CONSTRUCTION: 2009 09 29

ENGINEER'S SEAL
R.E. WILLMS
 Member 3833
 TENDER No. SE4.2
 FILENAME: 1-0103S-E0024-001-Rev 00.dwg
 PLOT DATE: 2010/12/16

THE CITY OF WINNIPEG
 WATER AND WASTE DEPARTMENT

2010 HVAC REPLACEMENT AND ASSOCIATED WORKS
WEWPC
 AREA S - ODDUR DISPERSION ROOM
 EF=S735 VFD SCHEMATIC & WIRING DIAGRAM

SHEET 1 OF 1
 CITY DRAWING NUMBER
 1-0103S-E0024-001