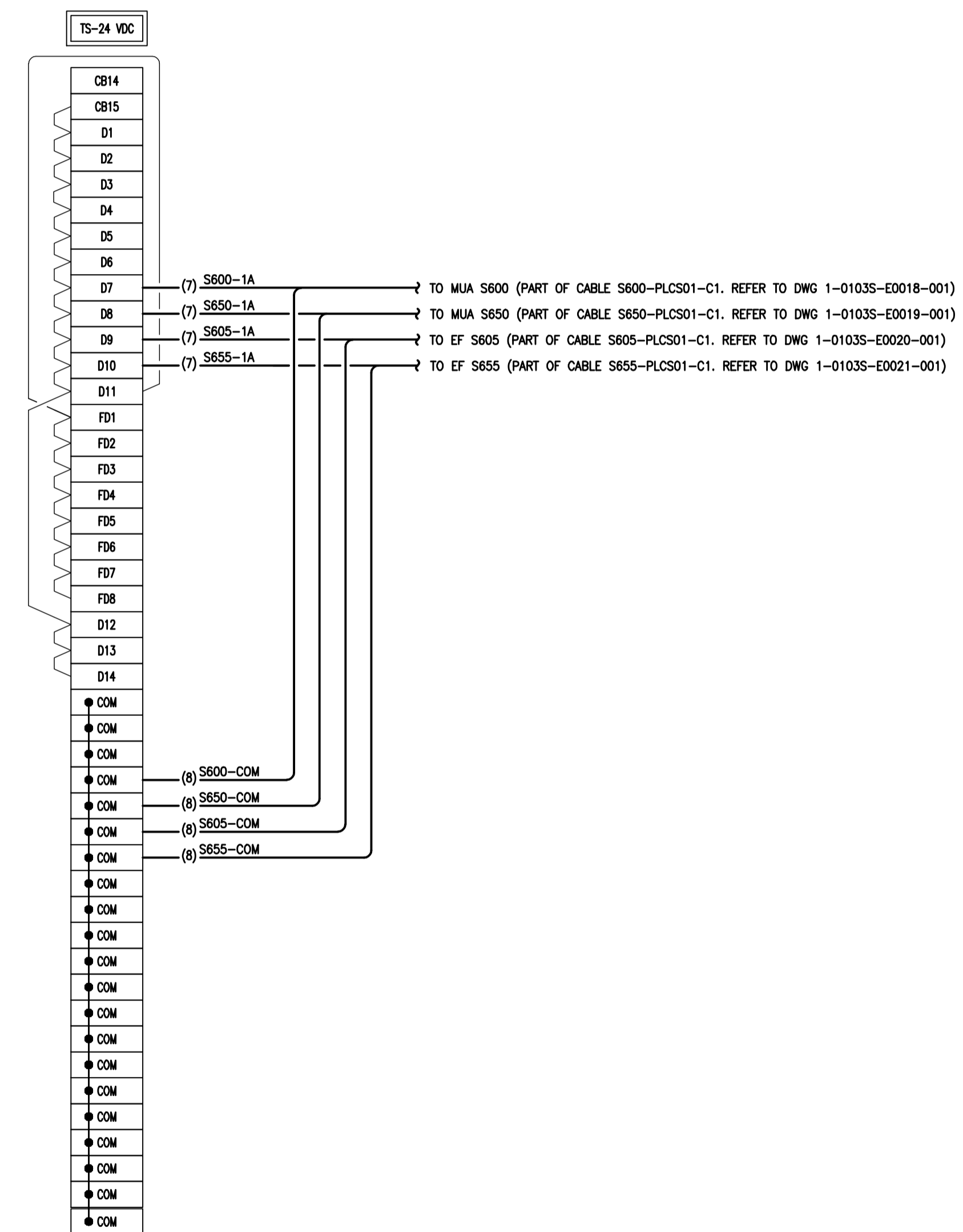
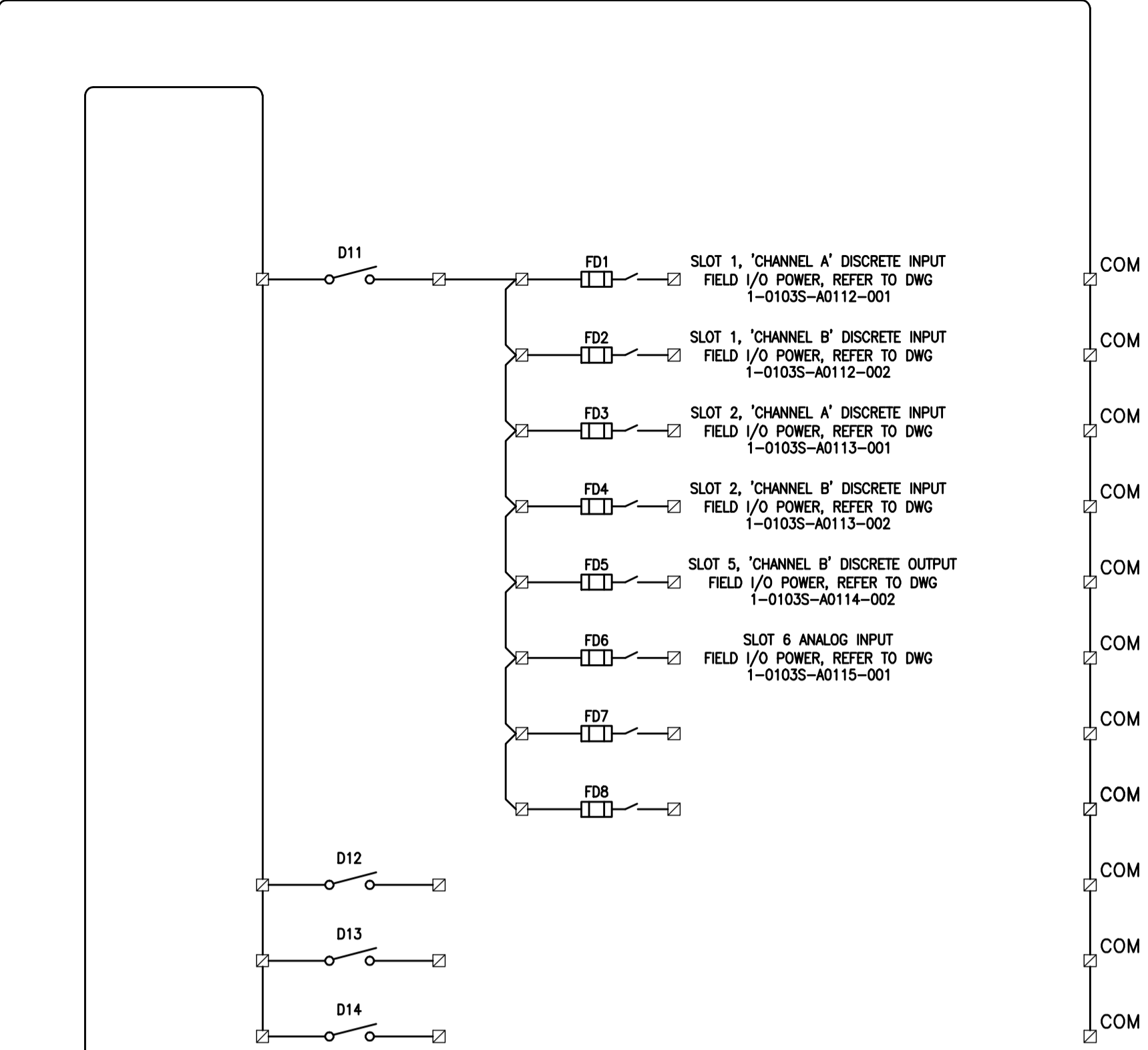
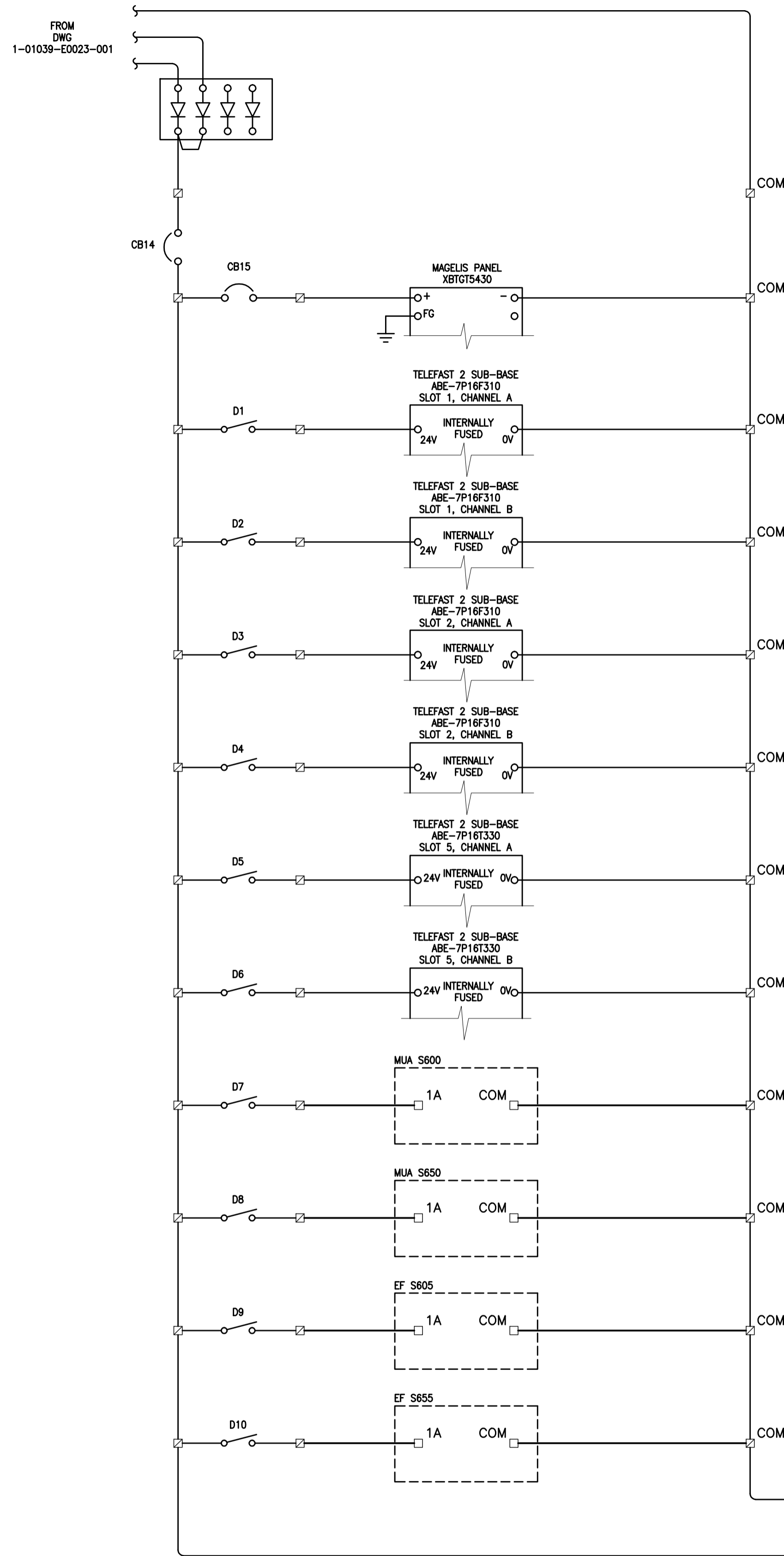


File Name: P:\Projects\2009\09-0754-08\Dwg\Elec\1-0103S-E0023-002.dwg - Tab: 1-0103S-E0023-002 Plotted By: G Nelson 12/22/2010 [Wed 9:56am] CW-9-M564-1



- NOTES:**
1. DOOR MOUNTED LIMIT SWITCH TO ACTIVATE LIGHT WHEN PANEL DOOR IS OPENED.
 2. POWER SUPPLY SELECTION SWITCH SHALL BE MOUNTED TO THE INTERIOR OF THE PLC PANEL.
 3. CIRCUIT BREAKERS SHALL BE WEIDMULLER CB4200 SERIES CIRCUIT BREAKERS OR APPROVED EQUAL, IN ACCORDANCE WITH B6.
 4. REFER TO DWG 1-0103S-A0112-001 FOR CONNECTION DETAILS ON POWER STATUS.

- LEGEND**
- DEVICE TERMINALS
 - ▣ PLC TERMINALS
 - FIELD WIRING
 - PANEL WIRING
 - () CONDUCTOR IDENTIFICATION
 - WIRE CONNECTION
 - PILOT LIGHT
 - ETM ELAPSED TIME METER
 - ◁ OUTPUT ▷ PLC OUTPUT
 - ▷ INPUT ◁ PLC INPUT

APEGN
Certificate of Authorization
KGS Group
No. 245 Date: 2010/12/21

KGS GROUP
CONSULTING ENGINEERS

B.M. ELEV.	FIELD BOOK #:
POSTED TO LBS	
DESIGNED BY: REW/DDW	CHECKED BY: REW
DRAWN BY: MMP	APPROVED BY: REW
HDR. SCALE: N.T.S.	RELEASED FOR CONSTRUCTION
VERTICAL: N.T.S.	
00 ISSUED FOR TENDER	2010-12-21 REW
NO. REVISIONS	DATE BY
	2010 07 02

ALLIANCE
Engineering Services Inc.

ENGINEER'S SEAL
PROVINCE OF MANITOBA
R.E. WILLMS
Member 3833
REGISTERED PROFESSIONAL ENGINEER

TENDER No. **SE2.12**
FILENAME: 1-0103S-E0023-002.dwg
PLDT DATE: 2010/12/22

THE CITY OF WINNIPEG
WATER AND WASTE DEPARTMENT

2010 HVAC REPLACEMENT AND ASSOCIATED WORKS
WEWPC

AREA S - SECONDARY CLARIFIERS 1 & 2
PLC PANEL POWER SCHEMATIC

SHEET 2 OF 2
CITY DRAWING NUMBER
1-0103S-E0023-002