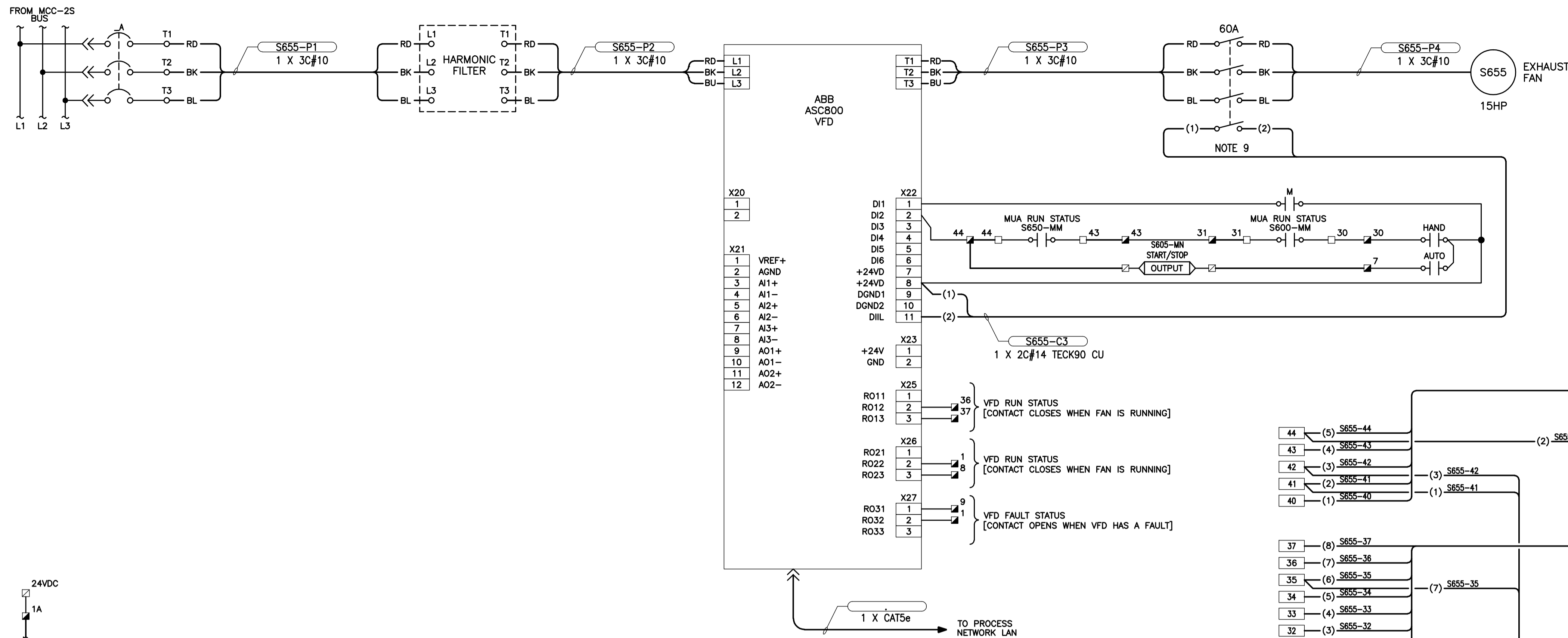


CW-9-M564-1
 File Name: P:\Projects\2009\09-0754-08\DocControl\ToBeIssued\DWG\ELECTRICAL\1-0103S-E0021-001-Rev 00.dwg - Tab: 1-0103S-E0021-001 Plotted By: GNeilson 12/16/2010 [Thu 4:45pm]



LEGEND

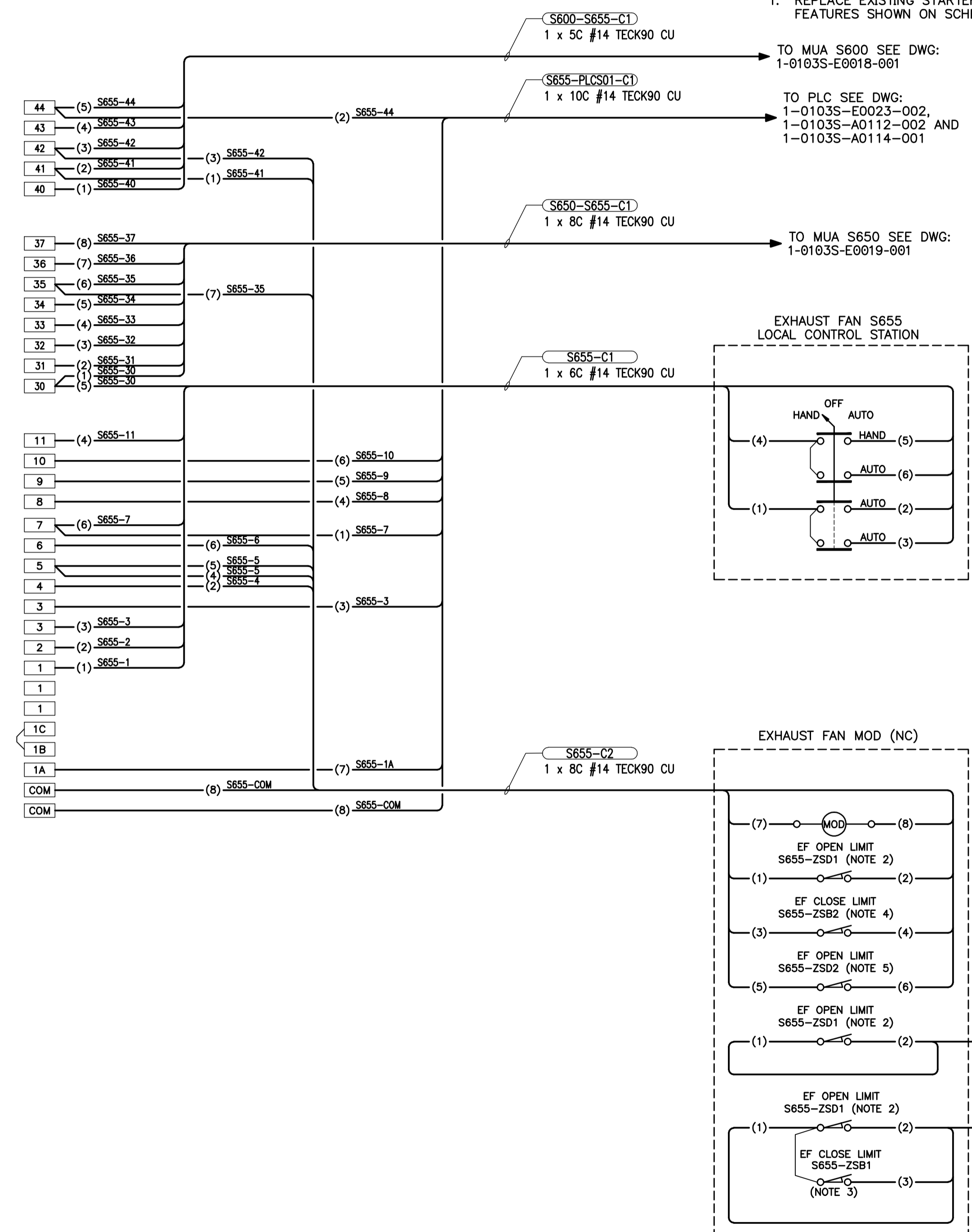
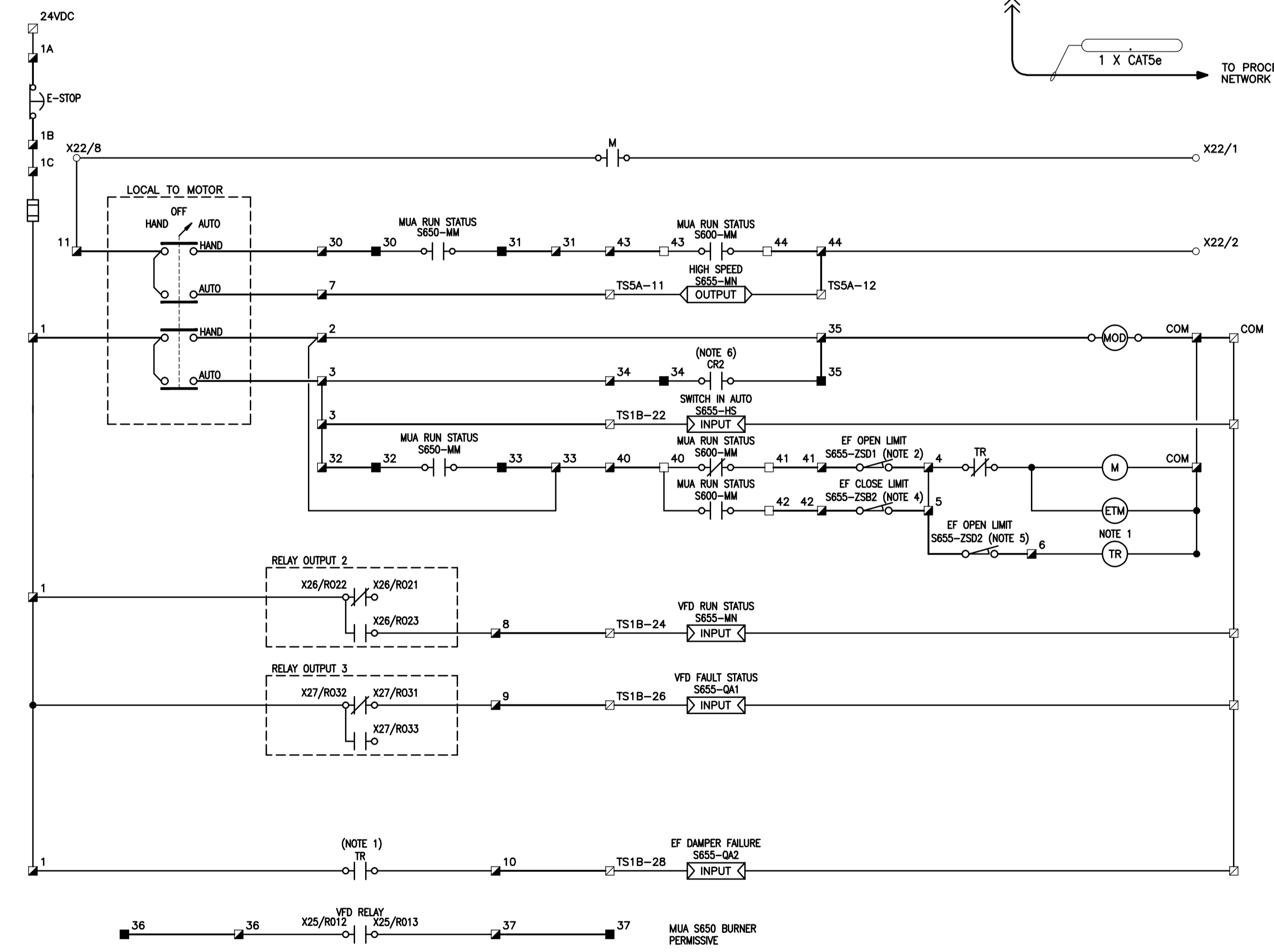
- ☐ PLC TERMINALS
- ▣ VFD STARTER TERMINALS
- MUA S600 TERMINALS
- MUA S650 TERMINALS
- FIELD WIRING
- PANEL WIRING
- () CONDUCTOR IDENTIFICATION
- WIRE CONNECTION
- PILOT LIGHT
- ETM ELAPSED TIME METER
- ▶ OUTPUT
- ◀ INPUT

NOTES:

1. TIMING RELAY STARTS TIMING ON ENERGIZATION AND CONTACT OPENS AFTER TIMEOUT. TIMED OUT RELAY REQUIRES A MANUAL RESET.
2. LIMIT SWITCH CONTACT CLOSING WHEN DAMPER PROVES FULLY OPEN.
3. LIMIT SWITCH CONTACT CLOSING WHEN DAMPER PROVES FULLY CLOSED.
4. LIMIT SWITCH CONTACT OPENING WHEN DAMPER PROVES FULLY CLOSED.
5. LIMIT SWITCH CONTACT OPENING WHEN DAMPER PROVES FULLY OPEN.
6. REFER TO DRAWING 1-0103S-E0019-001 FOR DETAILS ON CR2 ACTIVATION.
7. REFER TO ALLEN BRADLEY DWG. ED 2839-089-92 FOR DETAILS ON EXISTING TWO SPEED STARTER CONTROLS.
8. DAMPER LIMIT SWITCHES MAY REQUIRE MULTIPLYING RELAY(S) IN ORDER TO PROVIDE THE CORRECT NUMBER OF CONTACTS.
9. AUXILIARY CONTACT ON DISCONNECT SWITCH SHALL BREAK BEFORE DISCONNECT OPENS AND MAKE BEFORE DISCONNECT CLOSING.

CONSTRUCTION NOTES:

1. REPLACE EXISTING STARTER WRAPPER WITH NEW WITH FEATURES SHOWN ON SCHEMATIC.



B.M. ELEV.	FIELD BOOK #:
POSTED TO LBIS	
DESIGNED BY: REW/AP	CHECKED BY: REW
DRAWN BY: GCN	APPROVED BY: REW
HDR. SCALE: N.T.S.	RELEASED FOR CONSTRUCTION
VERTICAL: N.T.S.	
00 ISSUED FOR TENDER 2010-12-21 REW	
NO. REVISIONS	DATE BY
	2009 09 29

ALLIANCE
 Engineering Services Inc.

ENGINEER'S SEAL
 R.E. WILLMS
 Member 3833

THE CITY OF WINNIPEG
 WATER AND WASTE DEPARTMENT

2010 HVAC REPLACEMENT AND ASSOCIATED WORKS
WEWPC

AREA S - SECONDARY CLARIFIERS 1 & 2
 EF=S655 VFD SCHEMATIC & WIRING DIAGRAM

SHEET 1 OF 1
 CITY DRAWING NUMBER
 1-0103S-E0021-001