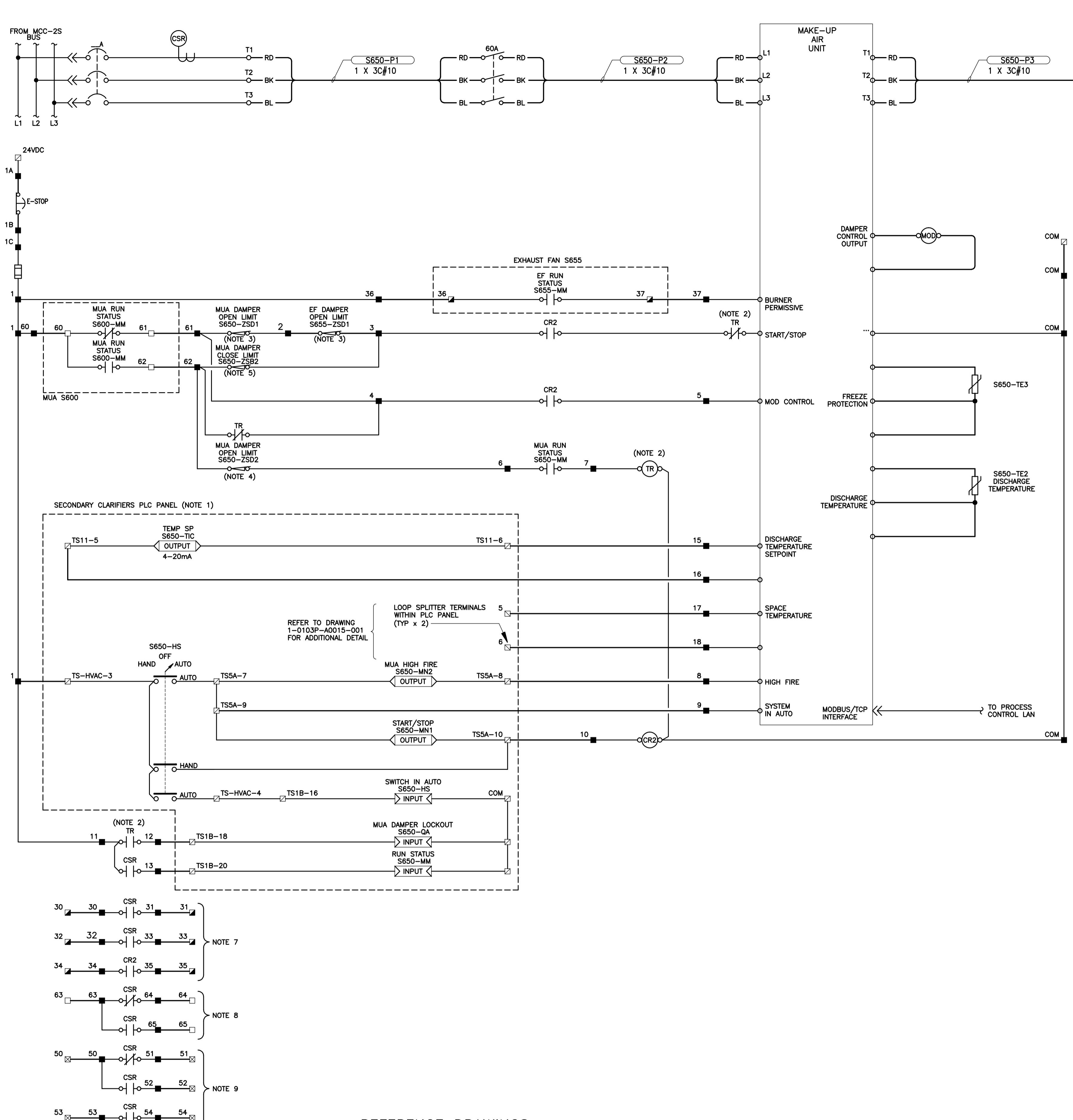


File Name: P:\Projects\2009\09-0754-08\Doc.Control\DWG\ELECTRICAL\1-01035-E0019-001-Rev 00.dwg - Tab. 1-01035-E0019-001 Plotted By: G.Nelson 12/16/2010 [Thu 4:46pm]

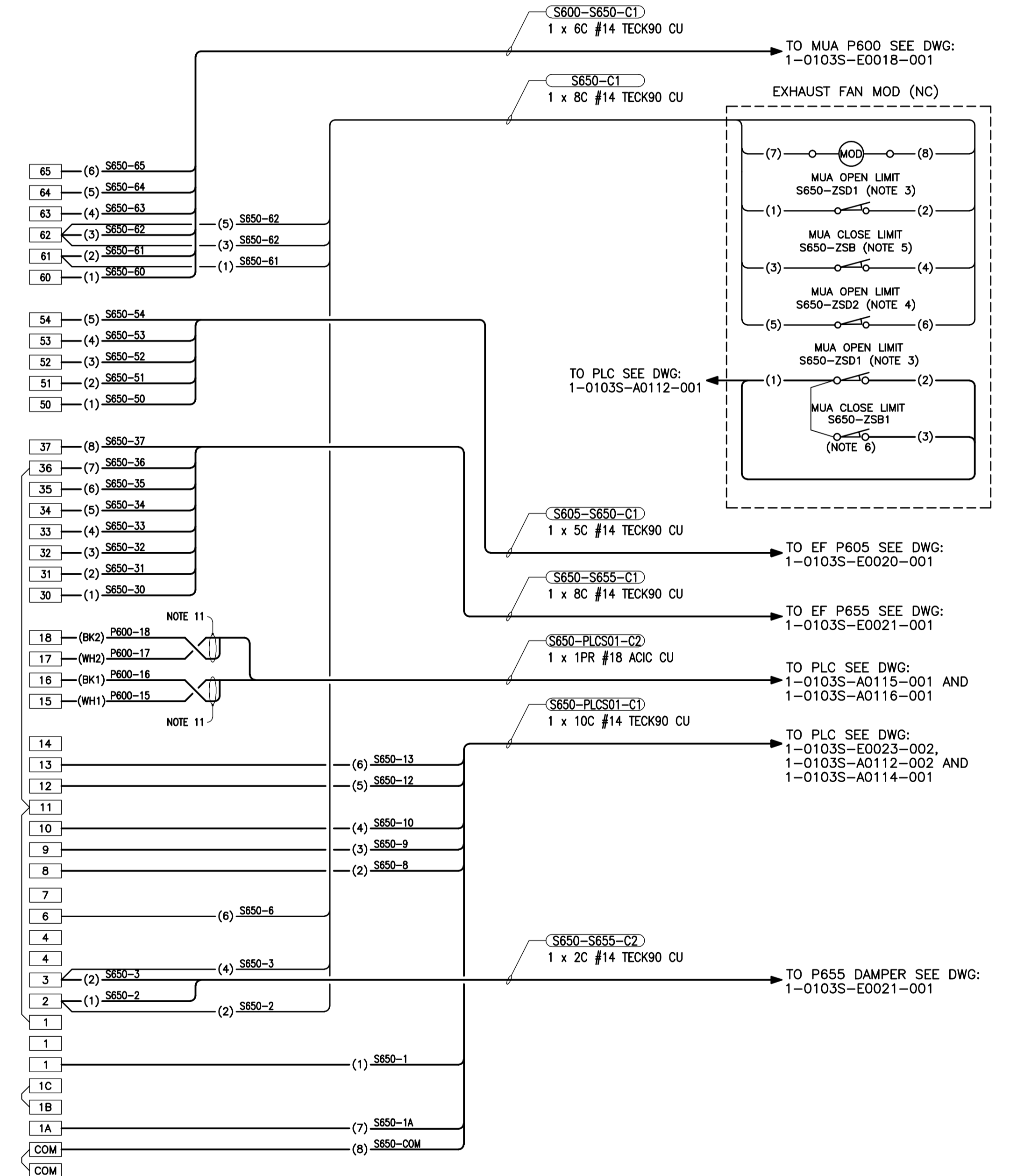


**LEGEND**

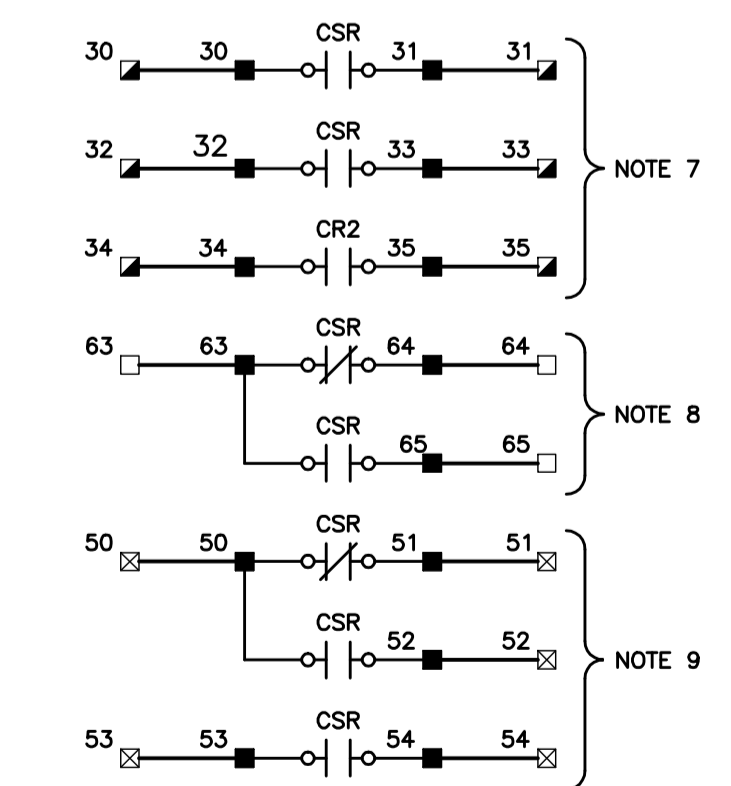
- MUA S600 TERMINALS
- MUA S650 TERMINALS
- ▣ PLC TERMINALS
- ⊠ S605 STARTER TERMINALS
- ▣ S655 STARTER TERMINALS
- FIELD WIRING
- PANEL WIRING
- ◀ OUTPUT
- ▶ INPUT

**NOTES:**

1. REFER TO DRAWING 1-01035-E0017-001 FOR COMPLETE DETAILS ON HVAC CONTROL CIRCUIT.
2. TIMING RELAY STARTS TIMING ON ENERGIZATION AND CONTACT OPENS AFTER TIMEOUT. TIMED OUT RELAY REQUIRES A MANUAL RESET.
3. LIMIT SWITCH CONTACT CLOSURES WHEN DAMPER PROVES FULLY OPEN.
4. LIMIT SWITCH CONTACT OPENS WHEN DAMPER PROVES FULLY OPEN.
5. LIMIT SWITCH CONTACT OPENS WHEN DAMPER PROVES FULLY CLOSED.
6. LIMIT SWITCH CONTACT CLOSURES WHEN DAMPER PROVES FULLY CLOSED.
7. REFER TO DRAWING 1-01035-E0021-001 FOR COMPLETE DETAILS ON EXHAUST FAN CONTROL.
8. REFER TO DRAWING 1-01035-E0018-001 FOR COMPLETE DETAILS ON EXHAUST FAN.
9. REFER TO DRAWING 1-01035-E0020-001 FOR COMPLETE DETAILS ON MUA P600.
10. DAMPER LIMITS SWITCHES MAY REQUIRE MULTIPLYING RELAY(S) IN ORDER TO PROVIDE THE CORRECT NUMBER OF CONTACTS.
11. ISOLATE AND TAPE BACK SHIELD AT THIS END ONLY.



**REFERENCE DRAWINGS:**



NO.	ISSUED FOR TENDER	DATE	BY
00	ISSUED FOR TENDER	2010-12-21	REW
01	REVISIONS	DATE	BY

**ALLIANCE**  
Engineering Services Inc.

DESIGNED BY: REW/DDW	CHECKED BY: REW
DRAWN BY: GCN	APPROVED BY: REW
HDR. SCALE: N.T.S.	RELEASED FOR CONSTRUCTION
VERTICAL: N.T.S.	DATE: 2010 07 15

ENGINEER'S SEAL  
  
 TENDER No. SE2.6  
 FILENAME: 09-0754-08-E207.dwg  
 PLOT DATE: 2010/12/16

**THE CITY OF WINNIPEG**  
WATER AND WASTE DEPARTMENT

2010 HVAC REPLACEMENT AND ASSOCIATED WORKS  
**WEWPC**

AREA S - SECONDARY CLARIFIERS 1 & 2  
 MUA-S650, MCC-2S SCHEMATIC & WIRING DIAGRAM

SHEET 1 OF 1  
 CITY DRAWING NUMBER  
 1-01035-E0019-001