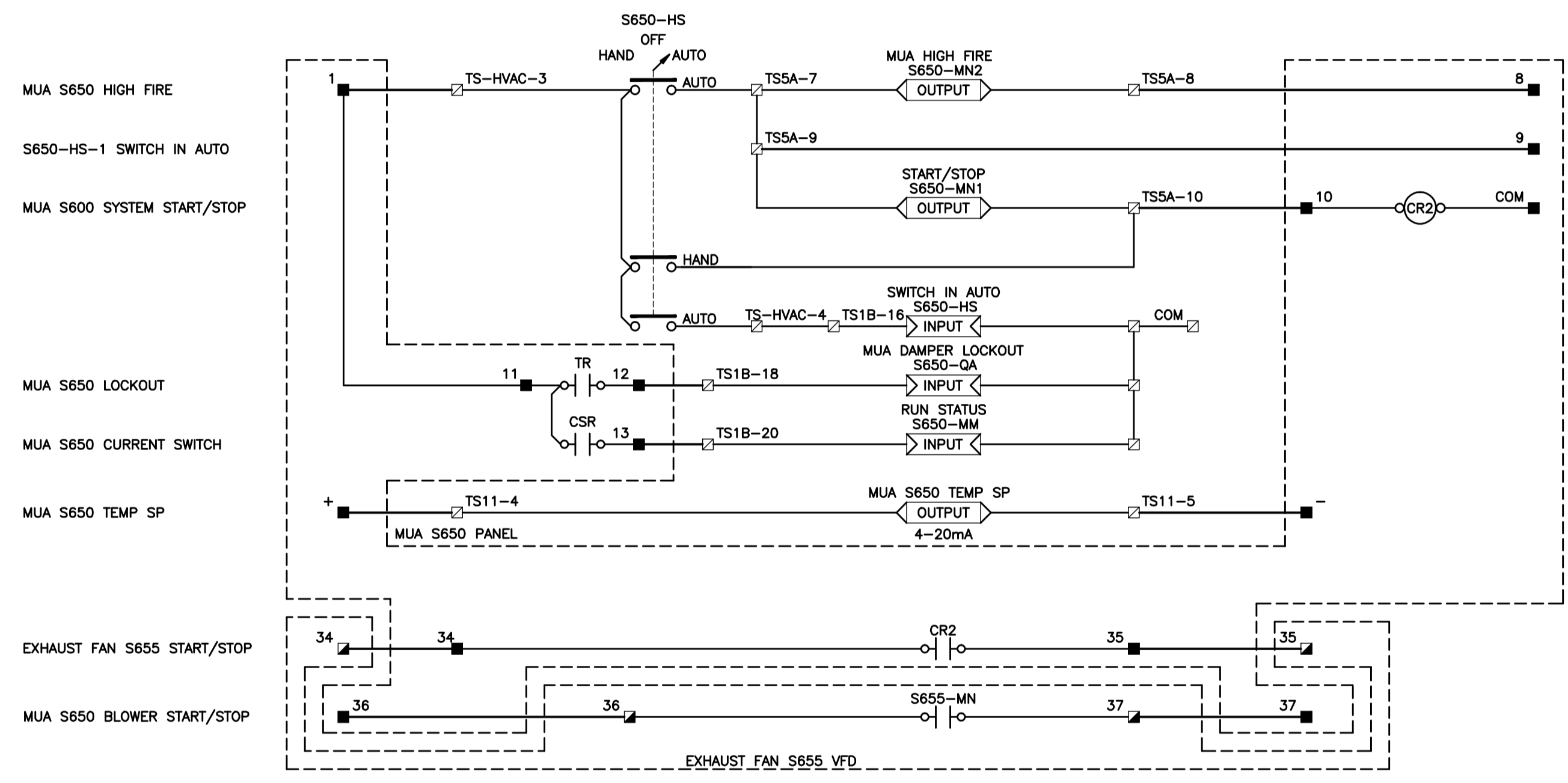
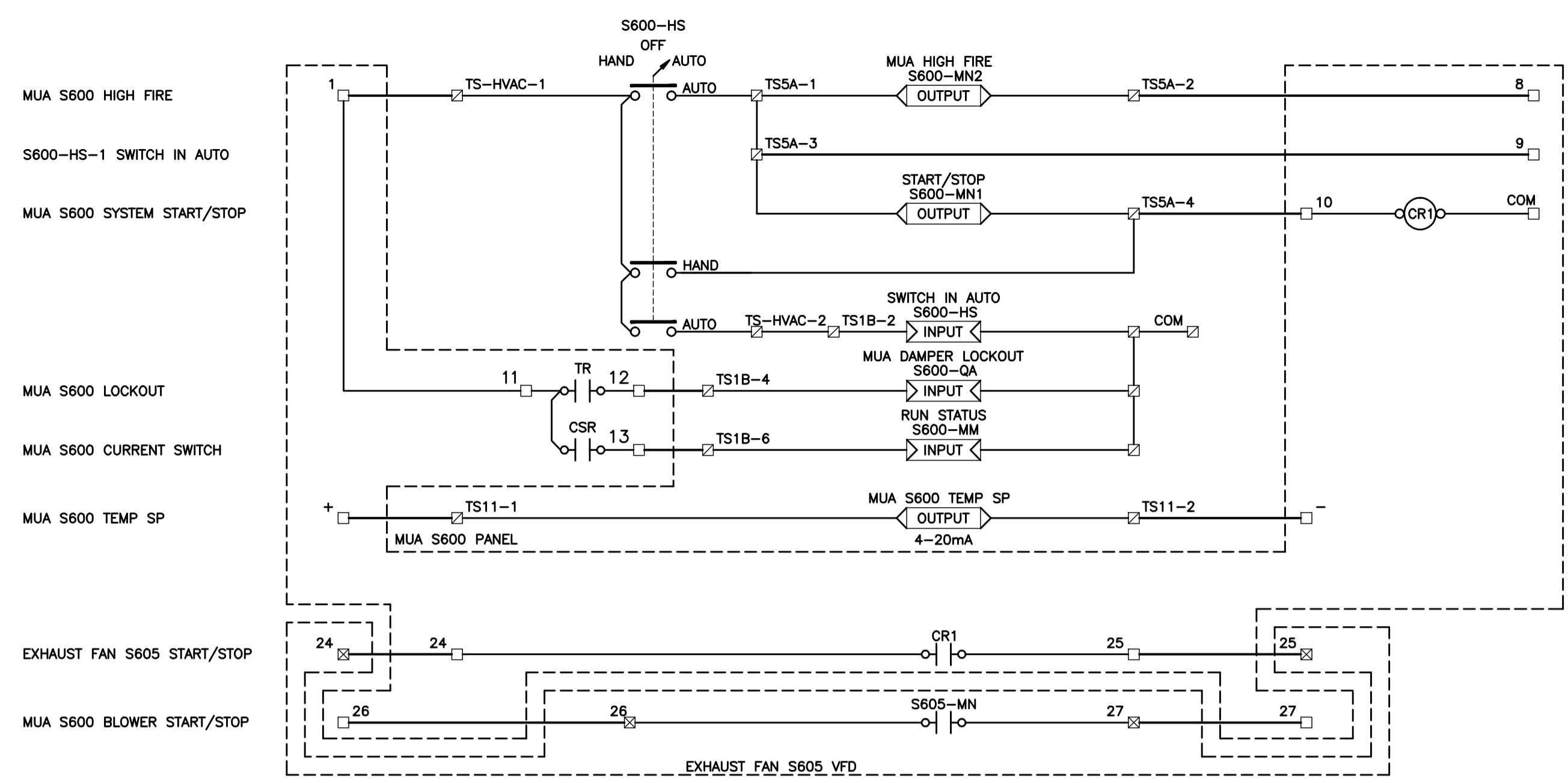


File Name: P:\Projects\2009\09-0754-08\Doc\Control\ToBeIssued\DWG\ELECTRICAL\1-0103S-E0017-001-Rev 00.dwg - Tab: 1-0103S-E0017-001 Plotted By: GNeilson 12/16/2010 [Thu 4:47pm]



NOTES:

- REFER TO DRAWINGS 1-0103S-E0018-001 AND 1-0103S-E0019-001 FOR COMPLETE DETAILS ON HVAC CONTROL CIRCUIT.

LEGEND

- FIELD WIRING
- PANEL WIRING
- ◀ OUTPUT ▶ PLC OUTPUT
- ◀ INPUT ▶ PLC INPUT

REFERENCE DRAWINGS:



B.M. ELEV.	FIELD BOOK #:
POSTED TO LBIS	
DESIGNED BY	REW/DDW
DRAWN BY	GCN
HDR. SCALE	N.T.S.
VERTICAL	N.T.S.
00 ISSUED FOR TENDER	2010-12-21 REW
NO. REVISIONS	DATE BY

ALLIANCE
Engineering Services Inc.

DESIGNED BY	REW/DDW	CHECKED BY	REW
DRAWN BY	GCN	APPROVED BY	REW
HDR. SCALE	N.T.S.	RELEASED FOR CONSTRUCTION	
VERTICAL	N.T.S.		
DATE	2010 07 15	DATE	

ENGINEER'S SEAL

TENDER No. SE2.4
FILENAME: 1-0103S-E0017-001-Rev 00.dwg
PLDT DATE: 2010/12/16

THE CITY OF WINNIPEG
WATER AND WASTE DEPARTMENT

2010 HVAC REPLACEMENT
AND ASSOCIATED WORKS
WEWPCC

AREA S - SECONDARY CLARIFIERS 1 & 2
HVAC SCHEMATIC & WIRING DIAGRAM

SHEET 1 OF 1
CITY DRAWING NUMBER
1-0103S-E0017-001