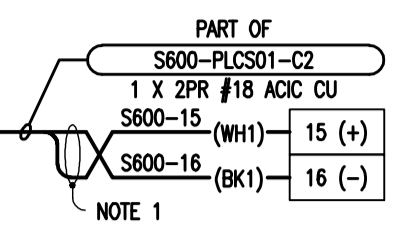
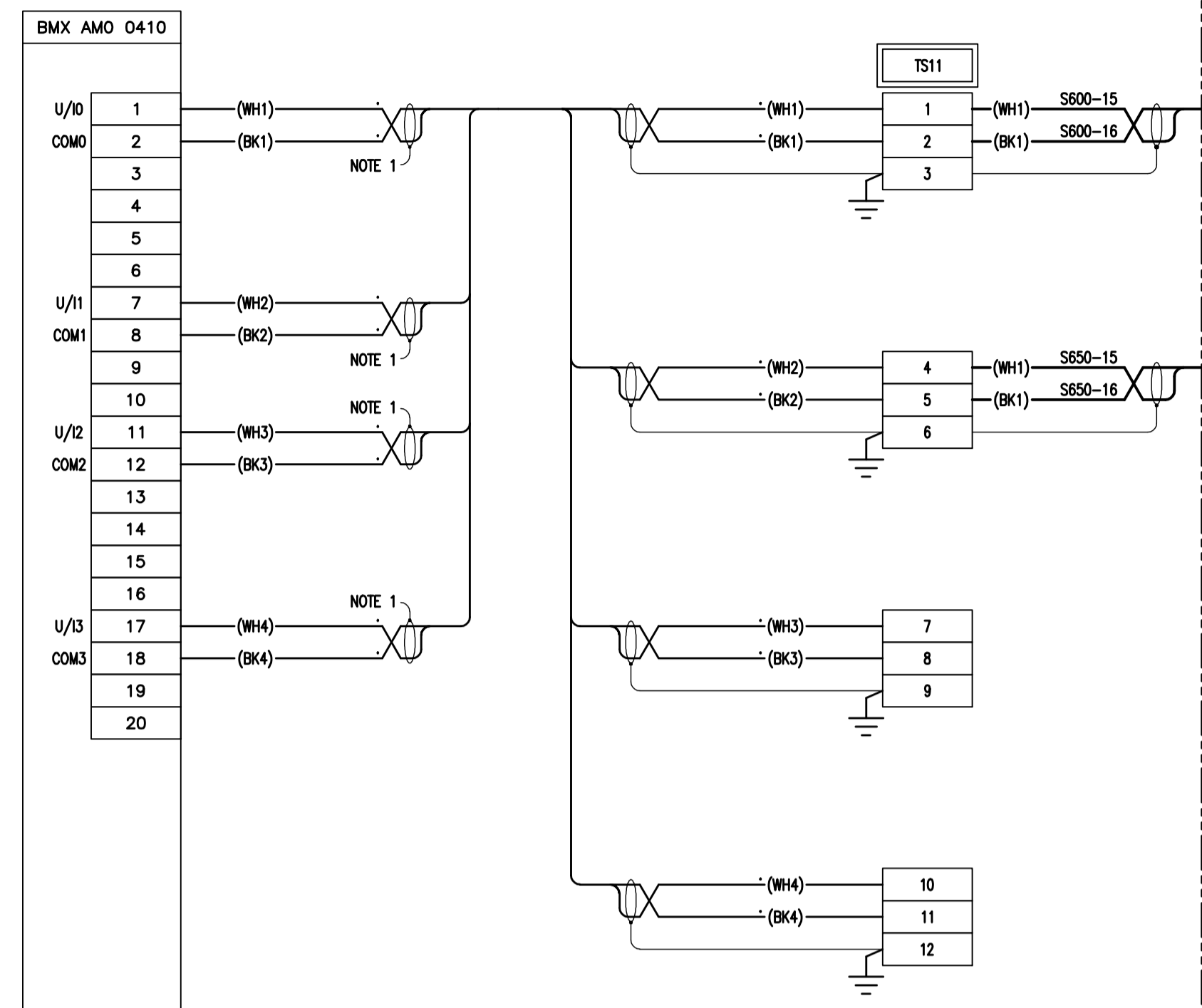


File Name: P:\Projects\2009\09-0754-08\Doc.Control\ToBeIssued\DWG\ELECTRICAL\1-0103S-A0116-001-Rev 00.dwg - Tab. 1-0103S-A0116-001-Rev 00.dwg - Tab. 1-0103S-A0116-001-Rev 00.dwg - Tab. 1-0103S-A0116-001-Rev 00.dwg [Thu 4:46pm]

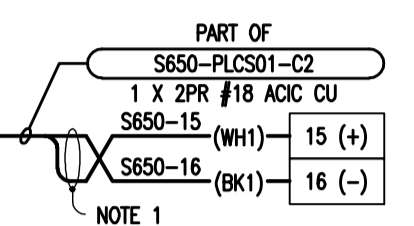
I/O MODULE, TELEFAST SUBBASE & TERMINALS

FIELD ENCLOSURE

FIELD DEVICE



S600-TC  
MUA S600  
TEMPERATURE SETPOINT



S650-TC  
MUA S650  
TEMPERATURE SETPOINT

NOTES:

1. TAPE BACK AND ISOLATE SHIELD AT THIS END ONLY.

LEGEND

- FIELD WIRING
- - - PANEL WIRING

**APEGN**  
Certificate of Authorization  
KGS Group  
No. 245 Date: 2010/12/21

**KGS GROUP**  
CONSULTING ENGINEERS

B.M. ELEV.	N/A	FIELD BOOK #:	
POSTED TO LBIS			
DESIGNED BY	REW/DDW	BY	REW
DRAWN BY	GCN	APPROVED BY	REW
HDR. SCALE	N.T.S.	RELEASED FOR CONSTRUCTION	
VERTICAL	N.T.S.		
ISSUED FOR TENDER	2010-12-21	REW	
NO. REVISIONS	DATE	BY	DATE
			2010-11-18

**ALLIANCE**  
Engineering Services Inc.

ENGINEER'S SEAL  
R.E. WILLMS  
Member 3833  
PROVINCE OF MANITOBA  
REGISTERED PROFESSIONAL ENGINEER

TENDER No. S12.8  
FILENAME 1-0103S-A0116-001-Rev  
PLDT DATE: 2010/12/16

**THE CITY OF WINNIPEG**  
WATER AND WASTE DEPARTMENT

2010 HVAC REPLACEMENT  
AND ASSOCIATED WORKS  
**WEWPC**

AREA S - SECONDARY CLARIFIERS 1 & 2  
SLOT 11 ANALOG OUTPUT LOOP DRAWING

SHEET 1 OF 1  
CITY DRAWING NUMBER  
1-0103S-A0116-001