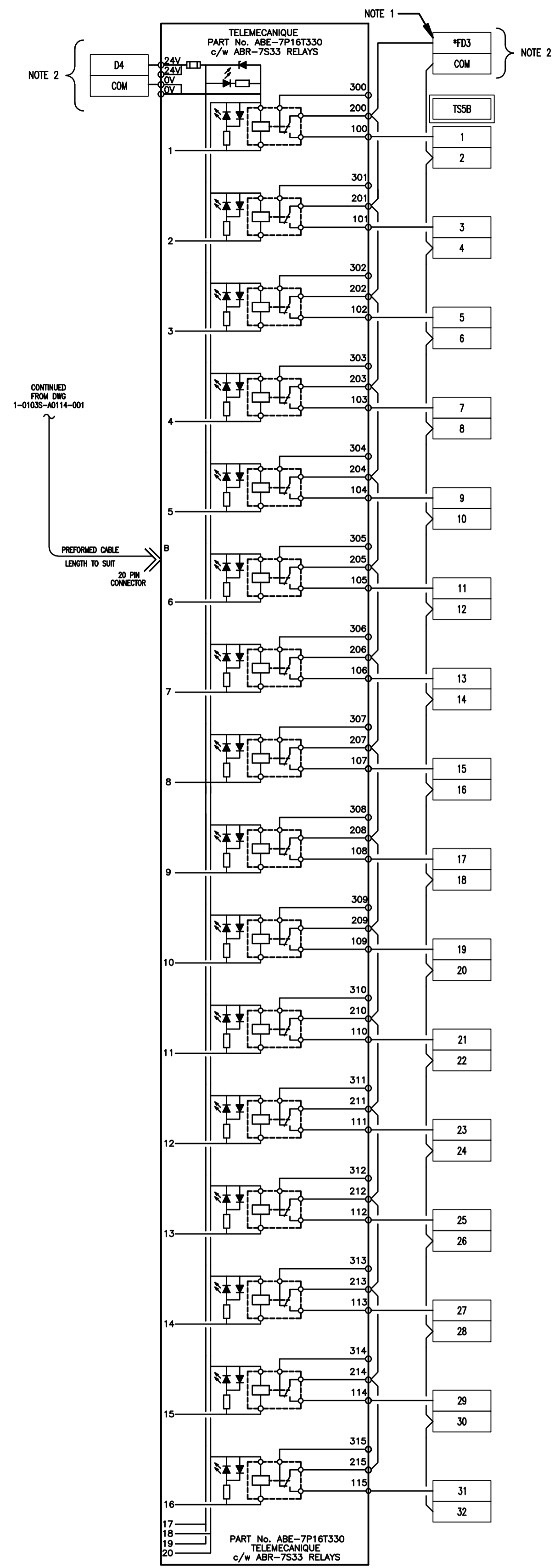


File Name: P:\Projects\2009\09-0754-08\Doc.Control\1-01035-A0114-002-Rev 00.dwg - Tab. 1-01035-A0114-002-Rev 00.dwg - Tab. 1-01035-A0114-002-Rev 00.dwg - Tab. 1-01035-A0114-002-Rev 00.dwg [Thu 4:50pm]

I/O MODULE, TELEFAST SUBBASE & TERMINALS

FIELD ENCLOSURE

FIELD DEVICE



- NOTES:**
1. ASTERISK DENOTES FUSED DISCONNECT TERMINAL.
  2. REFER TO DWG 1-01035-E0023-002 FOR DETAILS ON POWER SUPPLY.

- LEGEND**
- FIELD WIRING
  - PANEL WIRING

|   |  |   |  |  |  |  |
|---|--|---|--|--|--|--|
| <br>Certificate of Authorization<br>KGS Group<br>No. 245 Date: 2010/12/21 |  | B.M. ELEV. N/A<br>FIELD BOOK #:<br>POSTED TO LBIS                               |  | ENGINEER'S SEAL<br>  | <br>2010 HVAC REPLACEMENT AND ASSOCIATED WORKS<br><b>WEWPC</b><br>AREA 5 - SECONDARY CLARIFIERS 1 & 2<br>SLOT 5 DISCRETE OUTPUT LOOP DRAWING | SHEET 2 OF 2<br>CITY DRAWING NUMBER<br>1-01035-A0114-002 |
|   |  | DESIGNED BY: REW/DDW<br>DRAWN BY: GCN<br>HDR. SCALE: N.T.S.<br>VERTICAL: N.T.S. | BY: REW<br>APPROVED BY: REW<br>RELEASED FOR CONSTRUCTION: 2010-06-23 | TENDER No. S12.6<br>FILENAME 1-01035-A0114-002-Rev 00.dwg<br>PLOT DATE: 2010/12/16 |  |  |
|   |  | 00 ISSUED FOR TENDER 2010-12-21 REW<br>NO. REVISIONS DATE BY                    |  |  |  |  |