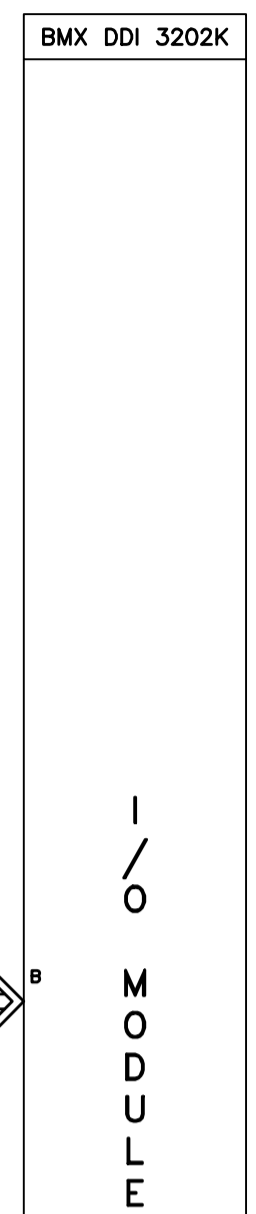
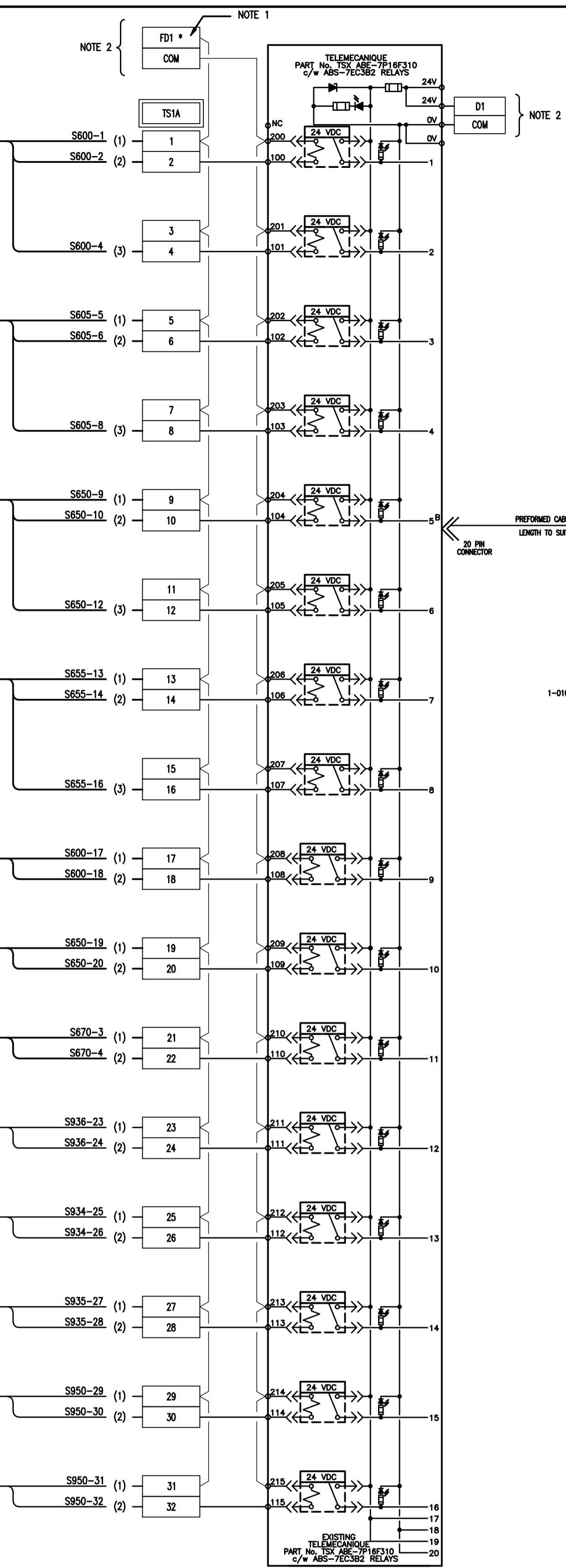
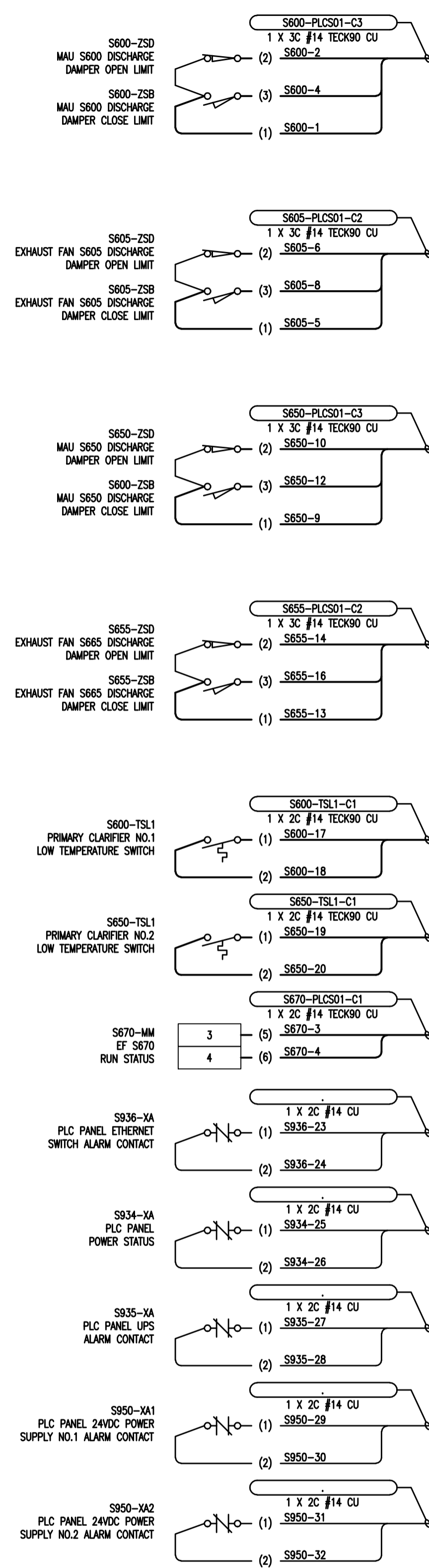


FIELD DEVICE

FIELD ENCLOSURE

I/O MODULE, TELEFAST SUBBASE & TERMINALS



- NOTES:**
1. ASTERISK DENOTES FUSED DISCONNECT TERMINAL.
  2. REFER TO DWG. 1-0103S-E0023-002 FOR DETAILS ON POWER SUPPLY.

- LEGEND**
- FIELD WIRING
  - PANEL WIRING

**APEGN**  
Certificate of Authorization  
KGS Group  
No. 245 Date: 2010/12/21

**KGS GROUP**  
CONSULTING ENGINEERS

B.M. ELEV.	N/A	FIELD BOOK #	
POSTED TO LBIS			
NO.	ISSUED FOR TENDER	2010-12-21	REW
NO.	REVISIONS	DATE	BY

**ALLIANCE**  
Engineering Services Inc.

DESIGNED BY: REW/DDW  
DRAWN BY: GCN  
HDR. SCALE: N.T.S.  
VERTICAL: N.T.S.

BY: REW  
APPROVED BY: REW  
RELEASED FOR CONSTRUCTION: 2010-06-23

ENGINEER'S SEAL  
**R.E. WILLMS**  
Member 3833  
PROVINCE OF MANITOBA REGISTERED PROFESSIONAL ENGINEER

TENDER No. S12.1  
FILENAME 1-0103S-A0112-001-Rev 00  
PLOT DATE: 2010/12/16

**THE CITY OF WINNIPEG**  
WATER AND WASTE DEPARTMENT

2010 HVAC REPLACEMENT AND ASSOCIATED WORKS  
**WEWPC**

AREA S - SECONDARY CLARIFIERS 1 & 2  
SLOT 1 DISCRETE INPUT LOOP DRAWING

SHEET 1 OF 2  
CITY DRAWING NUMBER  
1-0103S-A0112-001