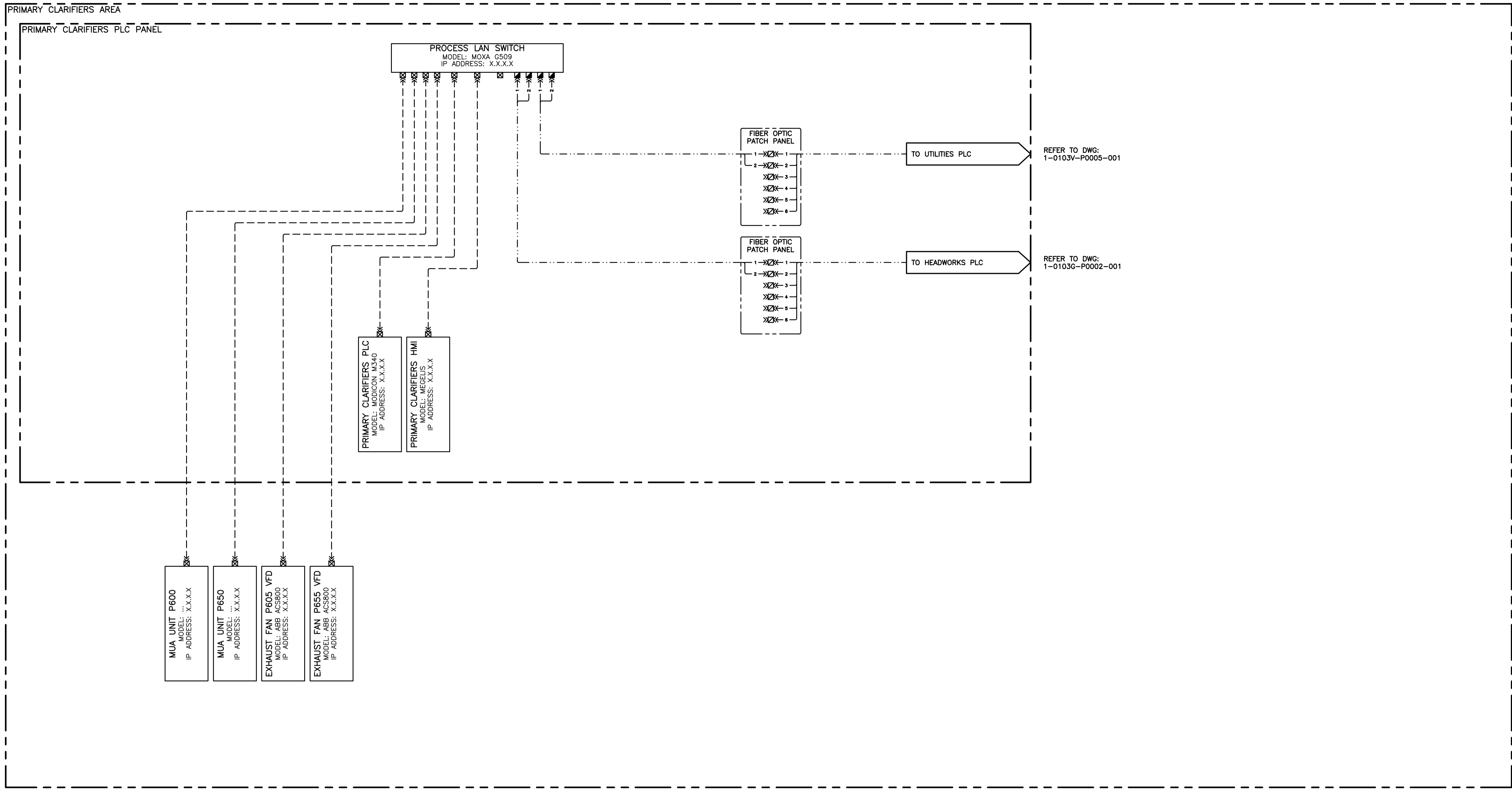


File Name: P:\Projects\2009\09-0754-08\DocControl\ToBeIssued\DWG\ELECTRICAL\1-0103P-P0005-001-Rev 00.dwg - Tab: 1-0103P-P0005-001-Rev 00.dwg - Thu 4:54pm



NOTES:

1. -

LEGEND:

- ⊠ RJ45 CONNECTOR
- ⊞ ST CONNECTOR
- ⊞ LC CONNECTOR
- ⊞ SC CONNECTOR
- TERMINAL STRIP
- 62.5/125 MULTIMODE
- - - CAT5e ETHERNET

APEGM
Certificate of Authorization
KGS Group
No. 245 Date: 2010/12/21

KGS GROUP
CONSULTING ENGINEERS

B.M. ELEV.	FIELD BOOK #:
POSTED TO LBIS	
00 ISSUED FOR TENDER	2010-12-21 REW
NO. REVISIONS	DATE BY

ALLIANCE
Engineering Services Inc.

DESIGNED BY DDW	CHECKED BY REW
DRAWN BY MMP	APPROVED BY REW
HDR. SCALE N.T.S.	RELEASED FOR CONSTRUCTION
VERTICAL N.T.S.	
2009 09 29	DATE

ENGINEER'S SEAL
R.E. WILLMS
Member 3833
PROVINCE OF MANITOBA REGISTERED PROFESSIONAL ENGINEER

TENDER No. PE28
FILENAME: 1-0103P-P0005-001-Rev 00.dwg
PLOT DATE: 2010/12/16

THE CITY OF WINNIPEG
WATER AND WASTE DEPARTMENT

2009 HVAC REPLACEMENT AND ASSOCIATED WORKS
WEWPCC
AREA P - PRIMARY CLARIFIERS 1 & 2
NETWORK SYSTEM ARCHITECTURE

SHEET 1 OF 1
CITY DRAWING NUMBER
1-0103P-P0005-001