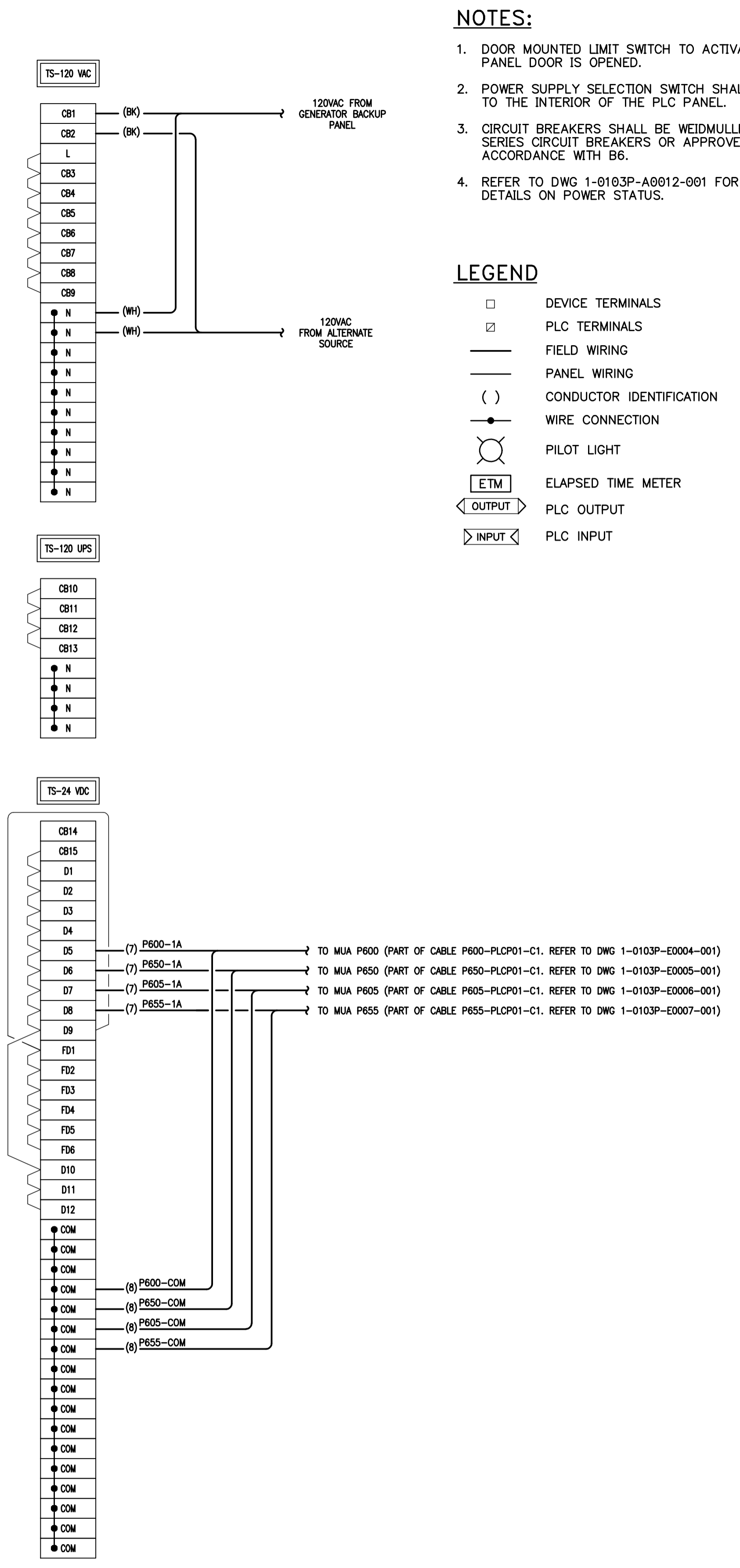
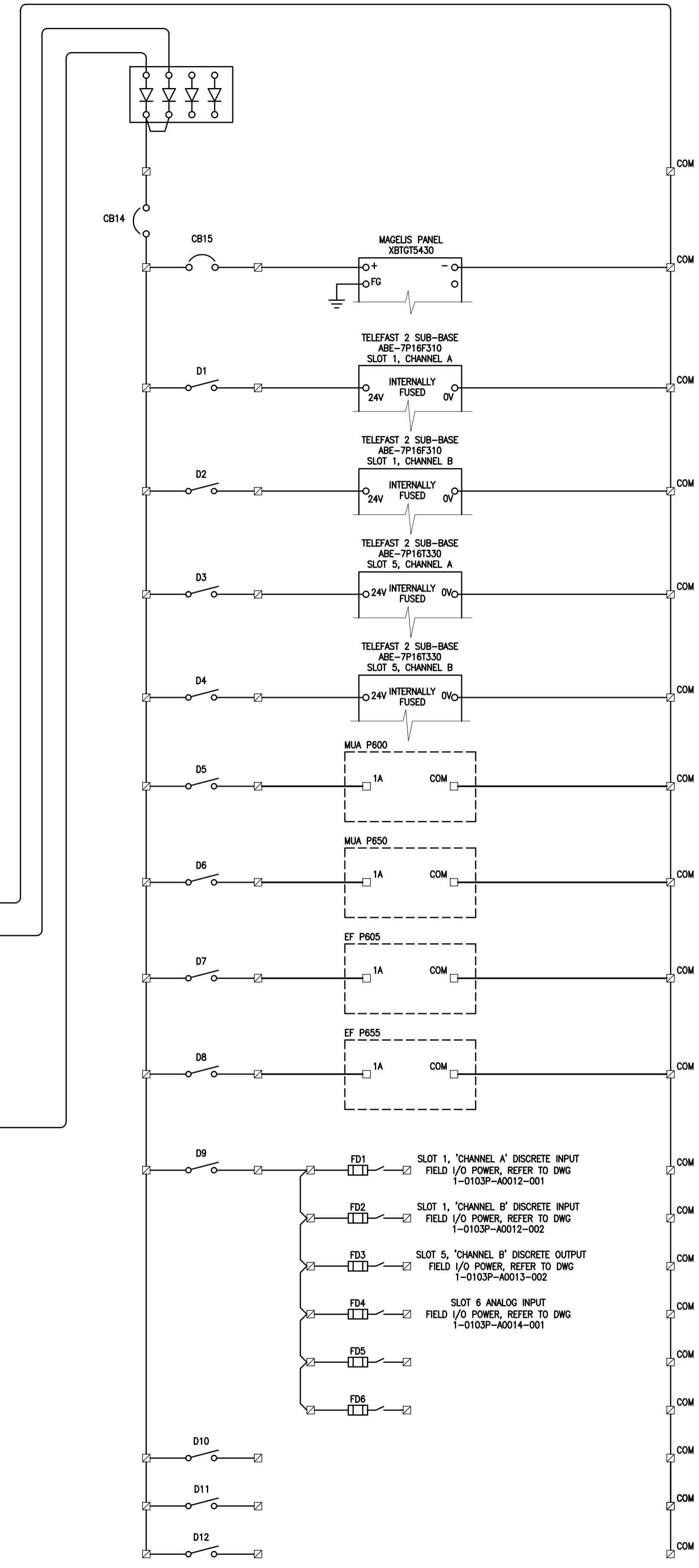
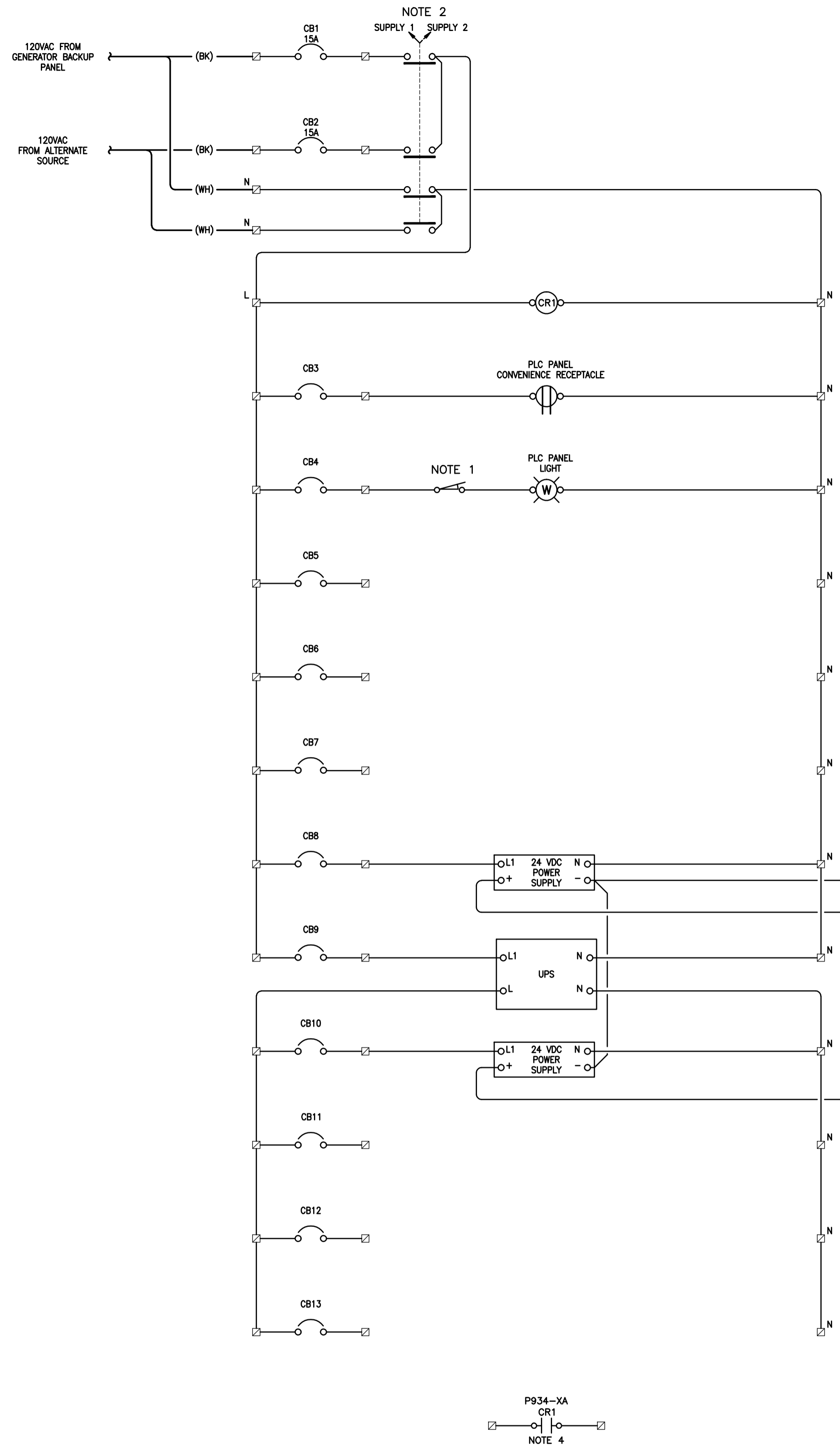


CW-9-M564-1
 File Name: P:\Projects\2009\09-0754-08\Drawg\Elec\1-0103P-E0009-001.dwg - Tab: 1-0103P-E0009-001.dwg - Tab: 1-0103P-E0009-001.dwg - Tab: 1-0103P-E0009-001.dwg - Tab: 1-0103P-E0009-001.dwg - Tab: 1-0103P-E0009-001.dwg
 Plotted By: G Nelson 12/22/2010 [Wed 9:51am]



- NOTES:**
- DOOR MOUNTED LIMIT SWITCH TO ACTIVATE LIGHT WHEN PANEL DOOR IS OPENED.
 - POWER SUPPLY SELECTION SWITCH SHALL BE MOUNTED TO THE INTERIOR OF THE PLC PANEL.
 - CIRCUIT BREAKERS SHALL BE WEIDMULLER CB4200 SERIES CIRCUIT BREAKERS OR APPROVED EQUAL, IN ACCORDANCE WITH B6.
 - REFER TO DWG 1-0103P-A0012-001 FOR CONNECTION DETAILS ON POWER STATUS.

- LEGEND**
- DEVICE TERMINALS
 - ▣ PLC TERMINALS
 - FIELD WIRING
 - PANEL WIRING
 - () CONDUCTOR IDENTIFICATION
 - WIRE CONNECTION
 - PILOT LIGHT
 - ETM ELAPSED TIME METER
 - OUTPUT PLC OUTPUT
 - INPUT PLC INPUT

APEGN
 Certificate of Authorization
 KGS Group
 No. 245 Date: 2010/12/21

KGS GROUP
 CONSULTING ENGINEERS

B.M. ELEV.	FIELD BOOK #:
POSTED TO LBIS	
DESIGNED BY	REW/DDW
CHECKED BY	REW
DRAWN BY	GCN
APPROVED BY	REW
HDR. SCALE	N.T.S.
VERTICAL	N.T.S.
RELEASED FOR CONSTRUCTION	
ISSUED FOR TENDER	2010-12-21
REVISIONS	DATE BY
00	2010 07 02

ALLIANCE
 Engineering Services Inc.

DESIGNED BY REW/DDW
 CHECKED BY REW
 DRAWN BY GCN
 APPROVED BY REW
 HDR. SCALE N.T.S.
 VERTICAL N.T.S.
 RELEASED FOR CONSTRUCTION
 TENDER No. PE2.10
 FILENAME: 1-0103P-E0009-001.dwg
 PLOT DATE: 2010/12/22

ENGINEER'S SEAL

THE CITY OF WINNIPEG
 WATER AND WASTE DEPARTMENT

2010 HVAC REPLACEMENT AND ASSOCIATED WORKS
WEWPC
 AREA P - PRIMARY CLARIFIERS 1 & 2
 PLC PANEL POWER SCHEMATIC

SHEET 1 OF 1
 CITY DRAWING NUMBER
 1-0103P-E0009-001