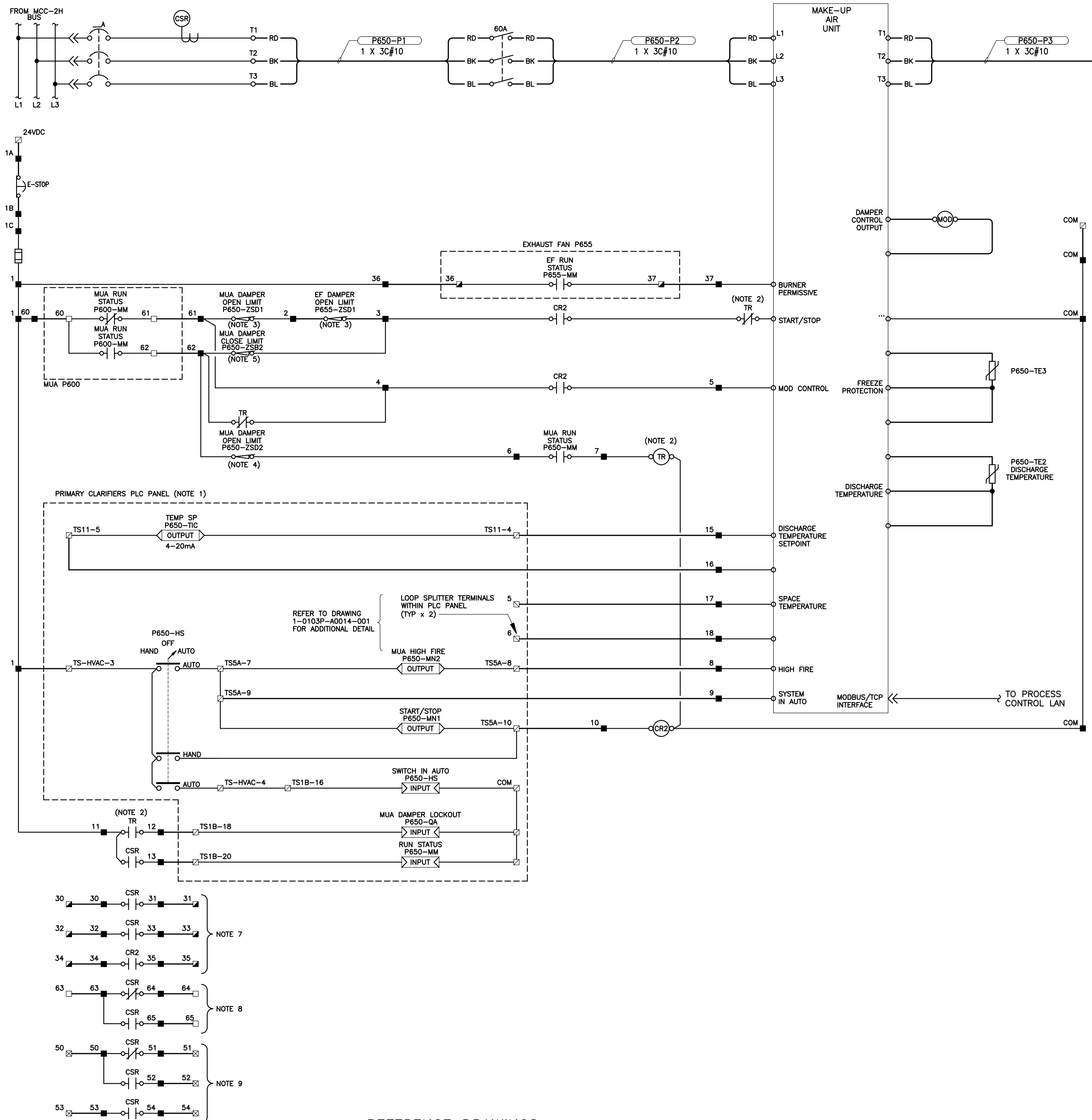


File Name: P:\Projects\2009\09-0754-08_DocControl\ToBeIssued\DWG\ELECTRICAL\1-0103P-E0005-001-Rev 00.dwg - Tab: 1-0103P-E0005-001 Plotted By: G.Nelson 12/16/2010 [Thu 4:57pm]

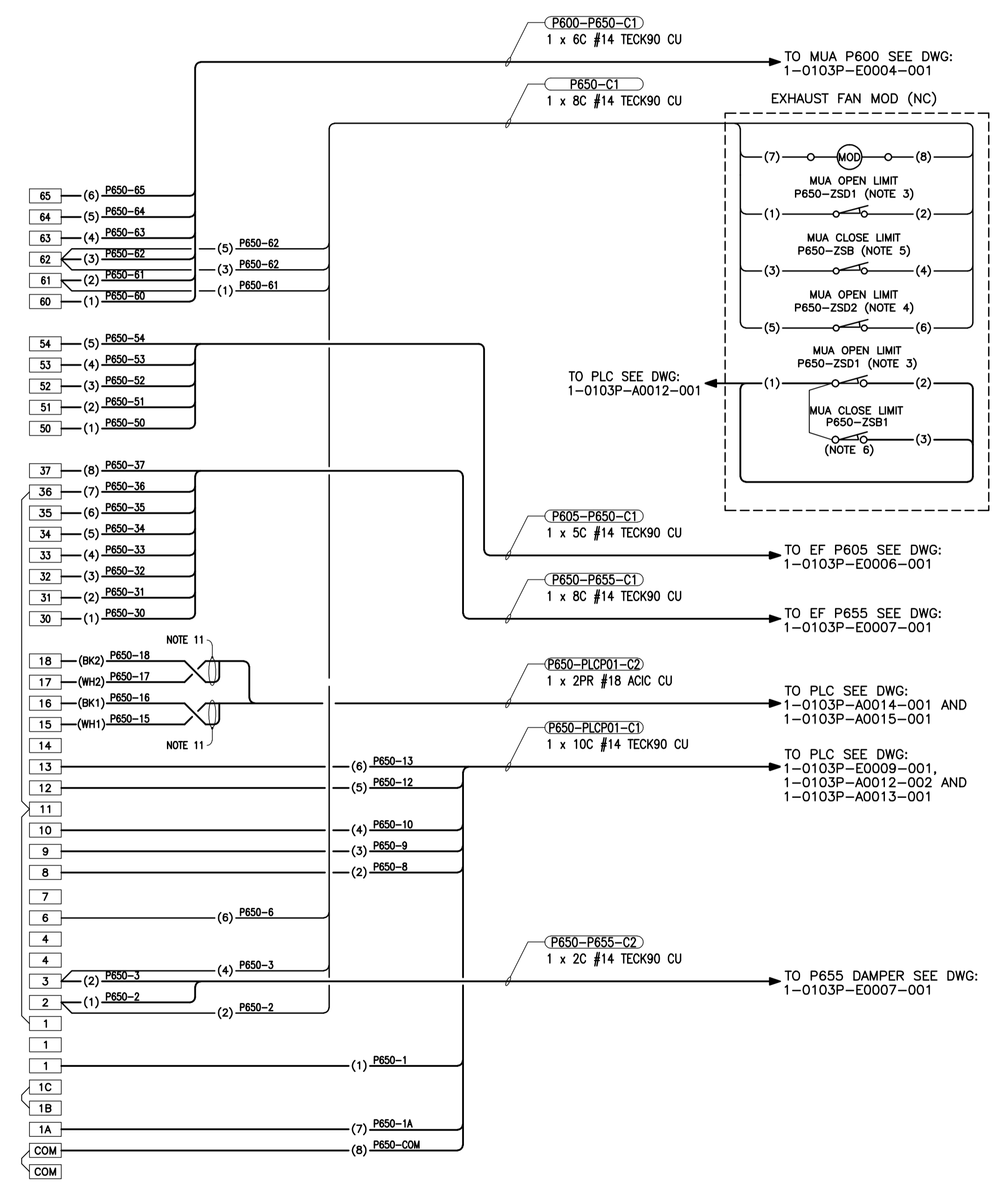


LEGEND

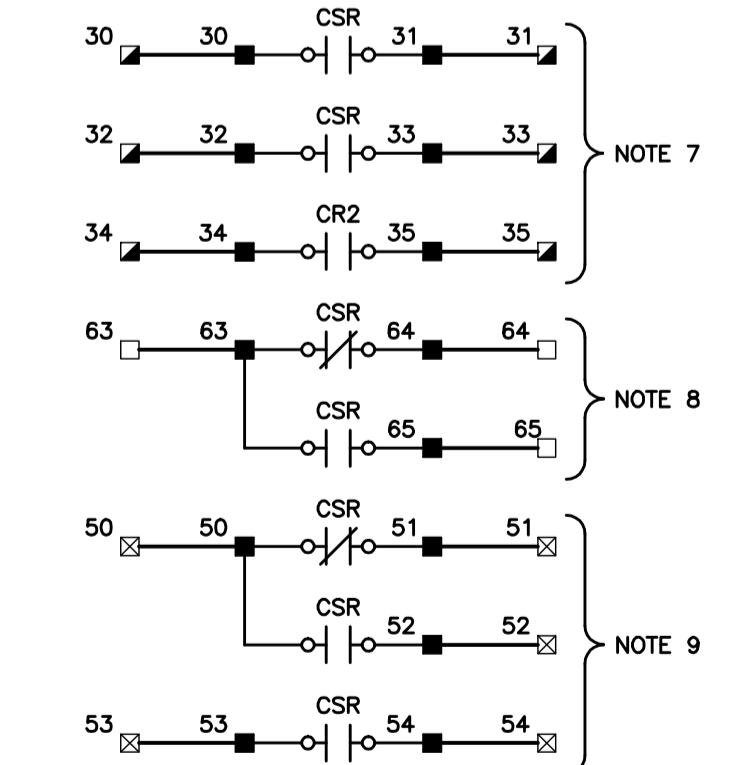
- MUA P600 TERMINALS
- MUA P650 TERMINALS
- ▣ PLC TERMINALS
- ⊠ P605 STARTER TERMINALS
- ▣ P655 STARTER TERMINALS
- FIELD WIRING
- PANEL WIRING
- ◁ OUTPUT ▷ PLC OUTPUT
- ▷ INPUT ◁ PLC INPUT

NOTES:

1. REFER TO DRAWING 1-0103P-E0003-001 FOR COMPLETE DETAILS ON HVAC CONTROL CIRCUIT.
2. TIMING RELAY STARTS TIMING ON ENERGIZATION AND CONTACT OPENS AFTER TIMEOUT. TIMED OUT RELAY REQUIRES A MANUAL RESET.
3. LIMIT SWITCH CONTACT CLOSURES WHEN DAMPER PROVES FULLY OPEN.
4. LIMIT SWITCH CONTACT OPENS WHEN DAMPER PROVES FULLY OPEN.
5. LIMIT SWITCH CONTACT OPENS WHEN DAMPER PROVES FULLY CLOSED.
6. LIMIT SWITCH CONTACT CLOSURES WHEN DAMPER PROVES FULLY CLOSED.
7. REFER TO DRAWING 1-0103P-E0007-001 FOR COMPLETE DETAILS ON EXHAUST FAN CONTROL.
8. REFER TO DRAWING 1-0103P-E0004-001 FOR COMPLETE DETAILS ON EXHAUST FAN.
9. REFER TO DRAWING 1-0103P-E0006-001 FOR COMPLETE DETAILS ON MUA P600.
10. DAMPER LIMITS SWITCHES MAY REQUIRE MULTIPLYING RELAY(S) IN ORDER TO PROVIDE THE CORRECT NUMBER OF CONTACTS.
11. ISOLATE AND TAPE BACK SHIELD AT THIS END ONLY.



REFERENCE DRAWINGS:



APEGN
Certificate of Authorization
KGS Group
No. 245 Date: 2010/12/21

KGS GROUP
CONSULTING ENGINEERS

NO.	REVISIONS	DATE	BY
00	ISSUED FOR TENDER	2010-12-21	REW

ALLIANCE
Engineering Services Inc.

DESIGNED BY: REW/DDW	CHECKED BY: REW
DRAWN BY: GCN	APPROVED BY: REW
HDR. SCALE: N.T.S.	RELEASED FOR CONSTRUCTION
VERTICAL: N.T.S.	DATE: 2010 07 15

ENGINEER'S SEAL
R.E. WILLMS
Member 3833
REGISTERED PROFESSIONAL ENGINEER

THE CITY OF WINNIPEG
WATER AND WASTE DEPARTMENT

2010 HVAC REPLACEMENT AND ASSOCIATED WORKS
WEWPC

AREA P - PRIMARY CLARIFIERS 1 & 2
MUA-P650, MCC-2H SCHEMATIC & WIRING DIAGRAM

SHEET 1 OF 1
CITY DRAWING NUMBER
1-0103P-E0005-001