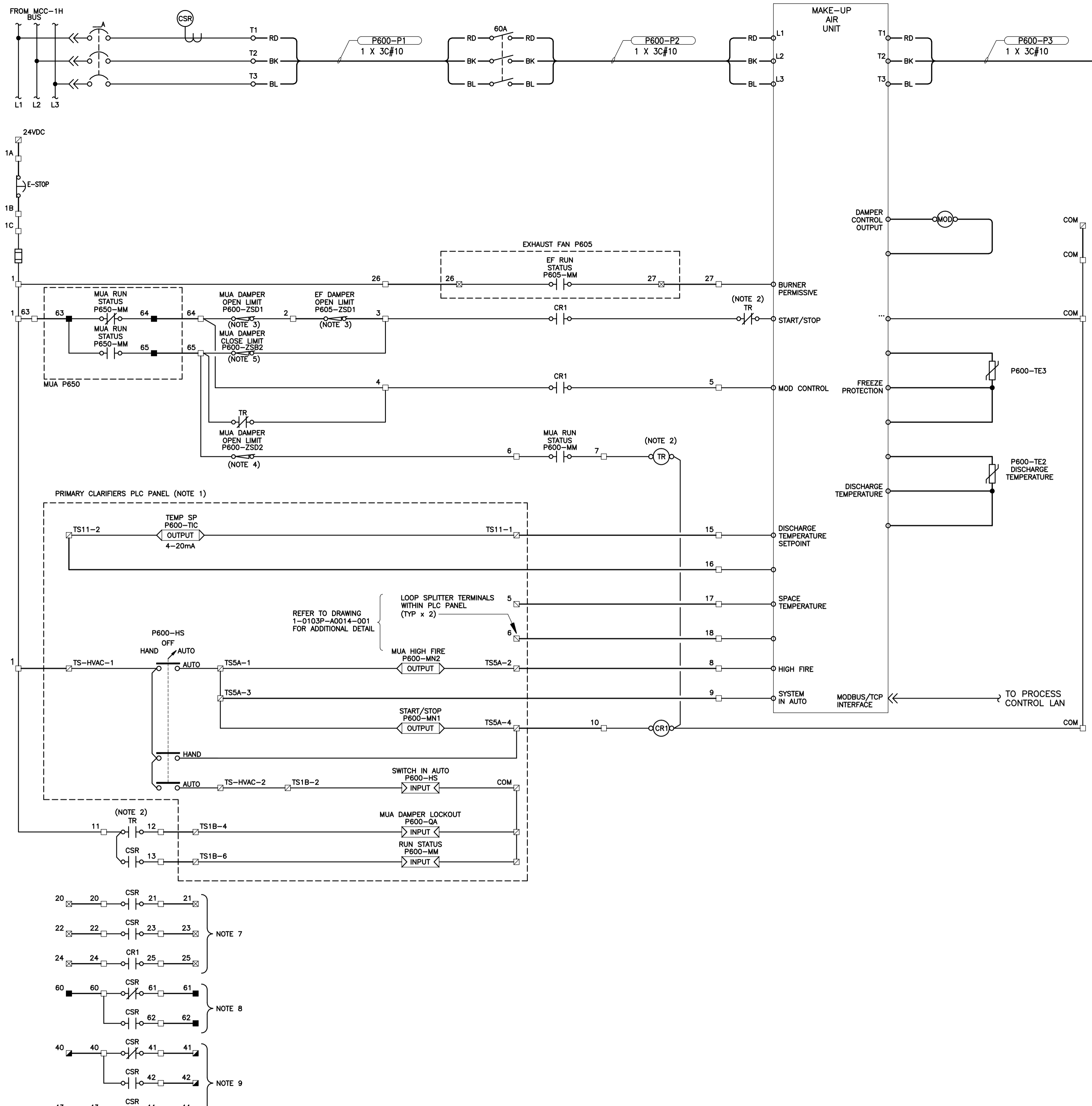


File Name: P:\Projects\2009\09-0754-08\_DocControl\ToBeIssued\DWG\ELECTRICAL\1-0103P-E0004-001-Rev 00.dwg - Tab: 1-0103P-E0004-001 Plotted By: G.Nelson 12/16/2010 [Thu 4:58pm]

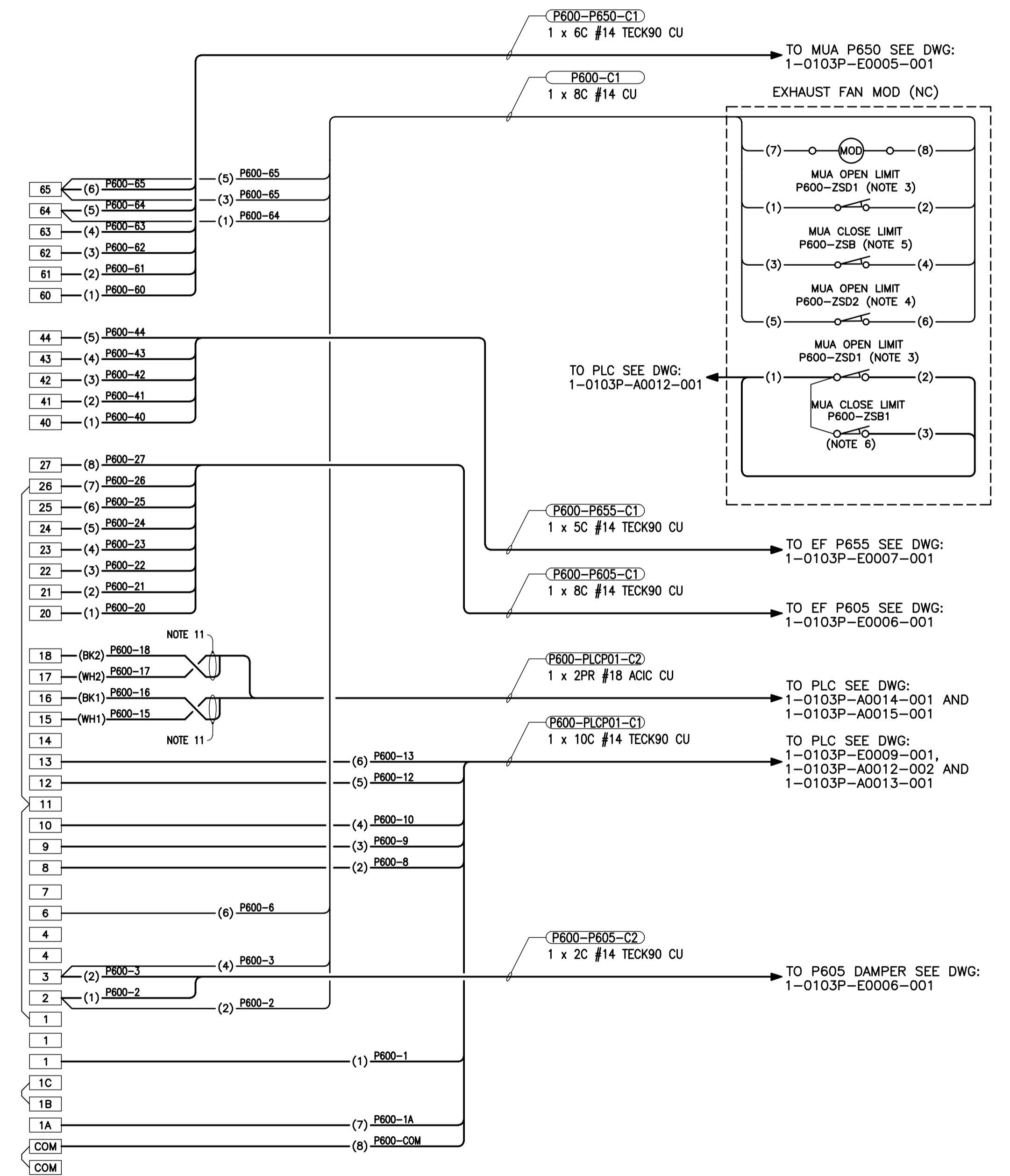


**LEGEND**

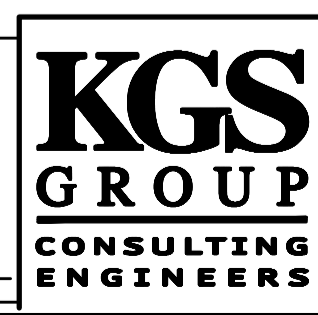
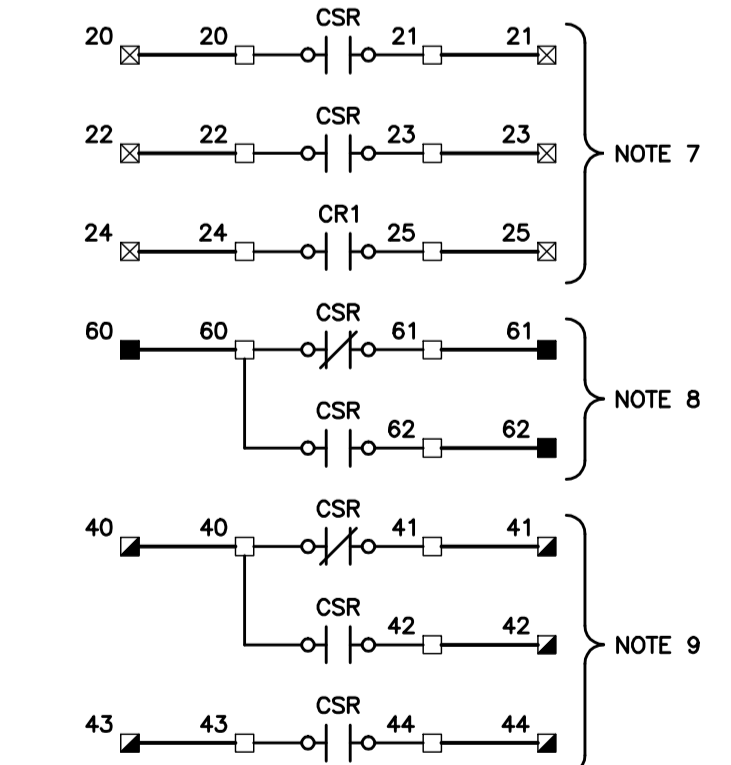
- MUA P600 TERMINALS
- MUA P650 TERMINALS
- ▣ PLC TERMINALS
- ⊠ P605 STARTER TERMINALS
- ▣ P655 STARTER TERMINALS
- FIELD WIRING
- PANEL WIRING
- ◁ OUTPUT ▷ PLC OUTPUT
- ▷ INPUT ◁ PLC INPUT

**NOTES:**

1. REFER TO DRAWING 1-0103P-E0003-001 FOR COMPLETE DETAILS ON HVAC CONTROL CIRCUIT.
2. TIMING RELAY STARTS TIMING ON ENERGIZATION AND CONTACT OPENS AFTER TIMEOUT. TIMED OUT RELAY REQUIRES A MANUAL RESET.
3. LIMIT SWITCH CONTACT CLOSURES WHEN DAMPER PROVES FULLY OPEN.
4. LIMIT SWITCH CONTACT OPENS WHEN DAMPER PROVES FULLY OPEN.
5. LIMIT SWITCH CONTACT OPENS WHEN DAMPER PROVES FULLY CLOSED.
6. LIMIT SWITCH CONTACT CLOSURES WHEN DAMPER PROVES FULLY CLOSED.
7. REFER TO DRAWING 1-0103P-E0006-001 FOR COMPLETE DETAILS ON EXHAUST FAN CONTROL.
8. REFER TO DRAWING 1-0103P-E0005-001 FOR COMPLETE DETAILS ON EXHAUST FAN.
9. REFER TO DRAWING 1-0103P-E0007-001 FOR COMPLETE DETAILS ON MUA P650.
10. DAMPER LIMIT SWITCHES MAY REQUIRE MULTIPLYING RELAY(S) IN ORDER TO PROVIDE THE CORRECT NUMBER OF CONTACTS.
11. ISOLATE AND TAPE BACK SHIELD AT THIS END ONLY.



**REFERENCE DRAWINGS:**



B.M. ELEV.	FIELD BOOK #:
POSTED TO LBIS	
DESIGNED BY: REW/DDW	CHECKED BY: REW
DRAWN BY: GCN	APPROVED BY: REW
HDR. SCALE: N.T.S.	RELEASED FOR CONSTRUCTION
VERTICAL: N.T.S.	
00 ISSUED FOR TENDER	2010-12-21 REW
NO. REVISIONS	DATE BY
	2010 07 15

**ALLIANCE**  
Engineering Services Inc.

DESIGNED BY: REW/DDW  
DRAWN BY: GCN  
HDR. SCALE: N.T.S.  
VERTICAL: N.T.S.

CHECKED BY: REW  
APPROVED BY: REW  
RELEASED FOR CONSTRUCTION

2010 07 15

ENGINEER'S SEAL

R.E. WILLMS  
Member  
3833

TENDER No. PE2.4  
FILENAME: 1-0103P-E0004-001-Rev  
PLDT DATE: 2010/12/16

**THE CITY OF WINNIPEG**  
WATER AND WASTE DEPARTMENT

2010 HVAC REPLACEMENT  
AND ASSOCIATED WORKS  
**WEWPC**

AREA P - PRIMARY CLARIFIERS 1 & 2  
MUA-P600, MCC-1H SCHEMATIC & WIRING DIAGRAM

SHEET 1 OF 1  
CITY DRAWING NUMBER  
1-0103P-E0004-001