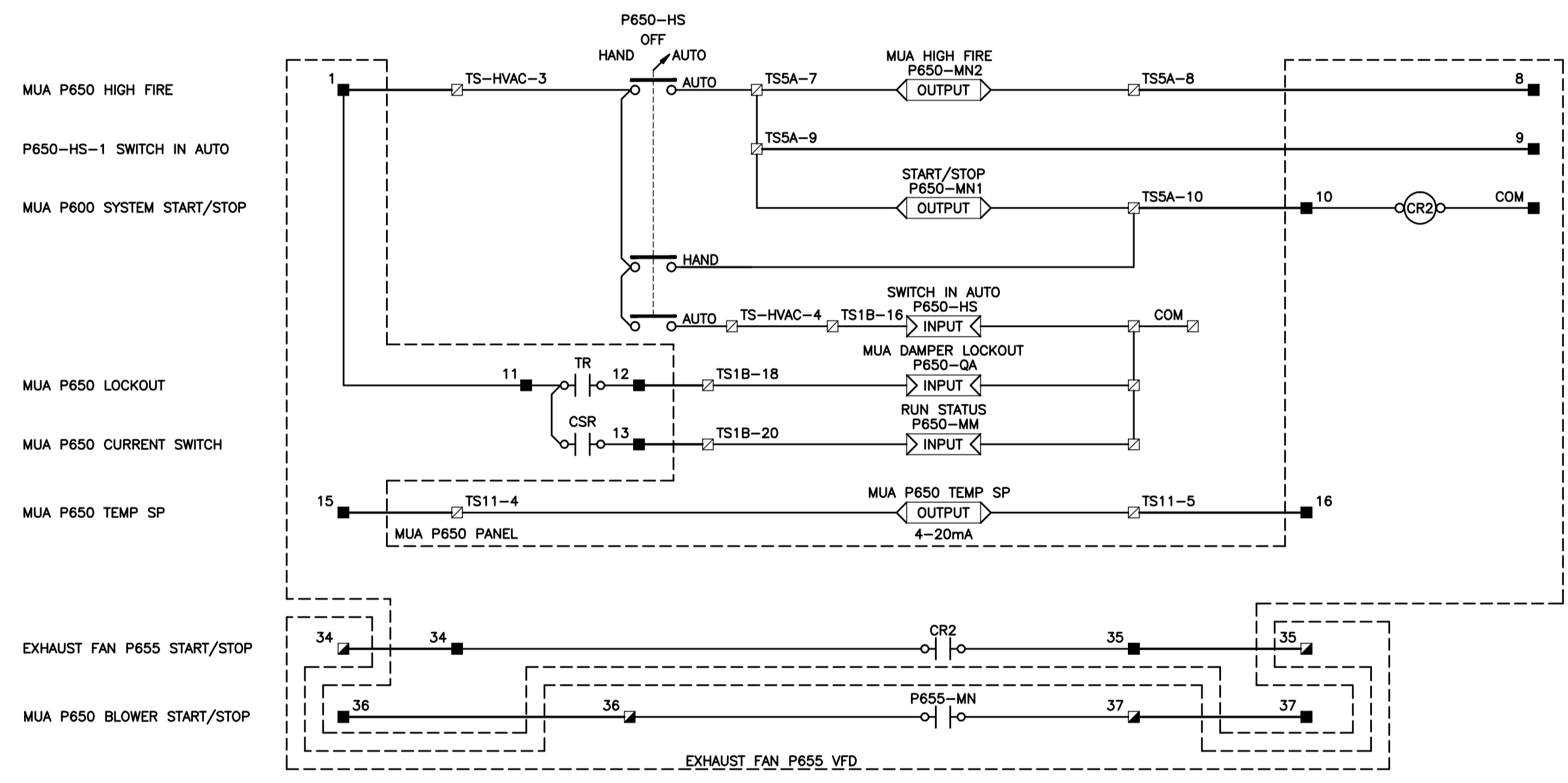
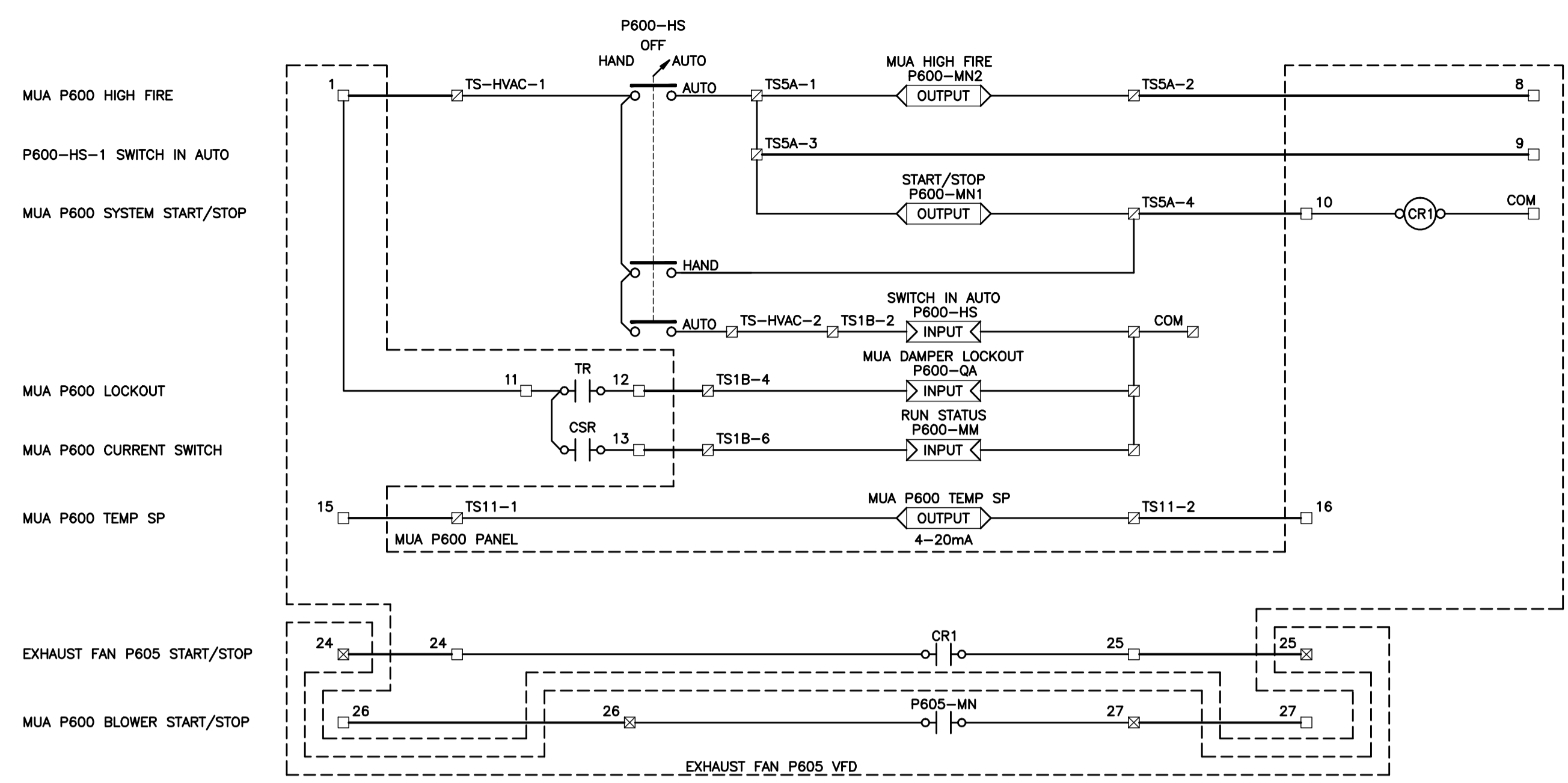


File Name: P:\Projects\2009\09-0754-08\Doc\Control\ToBeIssued\DWG\ELECTRICAL\1-0103P-E0003-001-Rev 00.dwg - Tab: 1-0103P-E0003-001 Plotted By: G Nelson 12/16/2010 [Thu 4:59pm] CW-9-M564-1



NOTES:

- REFER TO DRAWINGS 1-0103P-E0004-001 AND 1-0103P-E0005-001 FOR COMPLETE DETAILS ON HVAC CONTROL CIRCUIT.

LEGEND

- FIELD WIRING
- PANEL WIRING
- ◀ OUTPUT ▶ PLC OUTPUT
- ◀ INPUT ▶ PLC INPUT

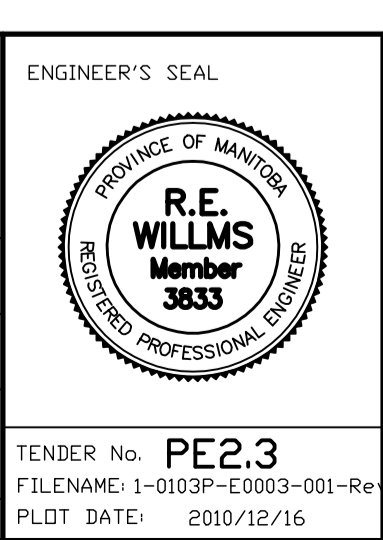
REFERENCE DRAWINGS:



B.M. ELEV.	FIELD BOOK #:
POSTED TO LBIS	
DESIGNED BY	REW/DDW
DRAWN BY	GCN
HDR. SCALE	N.T.S.
VERTICAL	N.T.S.
00 ISSUED FOR TENDER	2010-12-21 REW
NO. REVISIONS	DATE BY

ALLIANCE
Engineering Services Inc.

CHECKED BY	REW
APPROVED BY	REW
RELEASED FOR CONSTRUCTION	
TENDER No.	PE23
FILENAME:	1-0103P-E0003-001-Rev 00.dwg
PLDT DATE:	2010/12/16



THE CITY OF WINNIPEG
WATER AND WASTE DEPARTMENT

2010 HVAC REPLACEMENT
AND ASSOCIATED WORKS
WEWPCC

AREA P - PRIMARY CLARIFIERS 1 & 2
HVAC SCHEMATIC & WIRING DIAGRAM

SHEET 1	OF 1
CITY DRAWING NUMBER	
1-0103P-E0003-001	